

- 1.0 GENERAL NOTES
- 2.0 DESIGN NOTES
- 3.0 MANUFACTURING/SPECIAL REQUIREMENTS
 - 3.1 TIGHTEN HARDWARE, TORQUE VALUE ARE SHOWN BELOW AS REFERENCE
BELOW LIST ARE VALUES FOR STEEL HW, FOR SPECIAL CASES REFER TO DWG. 090323-000
M5: TORQUE 23.0 IN-LB OR 2.6 N-M
M6: TORQUE 40.0 IN-LB OR 4.5 N-M (W/ CLIP NUT)
M6: TORQUE 46.0 IN-LB OR 5.2 N-M (W/ THREADED CAST AL)
M6: TORQUE 75.0 IN-LB OR 8.5 N-M (W/ STEEL NUT)
M8: TORQUE 6.6 FT-LB OR 9.0 N-M (W/ THREADED CAST AL)
M10: TORQUE 16.2 FT-LB OR 22 N-M (W/ THREADED CAST AL)
 - 3.2 CONFIGURATIONS AND QUANTITY OF EQUIPMENTS IN INSTALLATION ARE LISTED ON TABLE.
- 4.0 TEST
- 5.0 PACKAGING
 - 5.1 PACKAGING SHALL MEET COMMScope REQUIREMENTS PER DOCUMENT IS-PL-3005

REVISIONS			
REV.	DESCRIPTION	DATE	APPROVED
A	INITIAL RELEASE	YC1059 13DEC23	JX1002 40182636CMO
B	ADDED CONFIGURATION C3 AND SHEET 6	ZL1057 27AUG24	JX1002 40203325CMO
C	UPDATED VIEWS FOR THE MV2 (MTM1117-0100-XX)	YC1059 27SEP24	TN1010 40205276CMO

CONFIGURATION	3.2 APPROVED FAN KITS CONFIGURATIONS			
	MV2 (OR DBHP)	DRILLING	FAN KIT HOUSING	THE SECONDARY FAN
C1	1	N/A	1	N/A
C2	1	1	1	N/A
C3	1	1	1	1

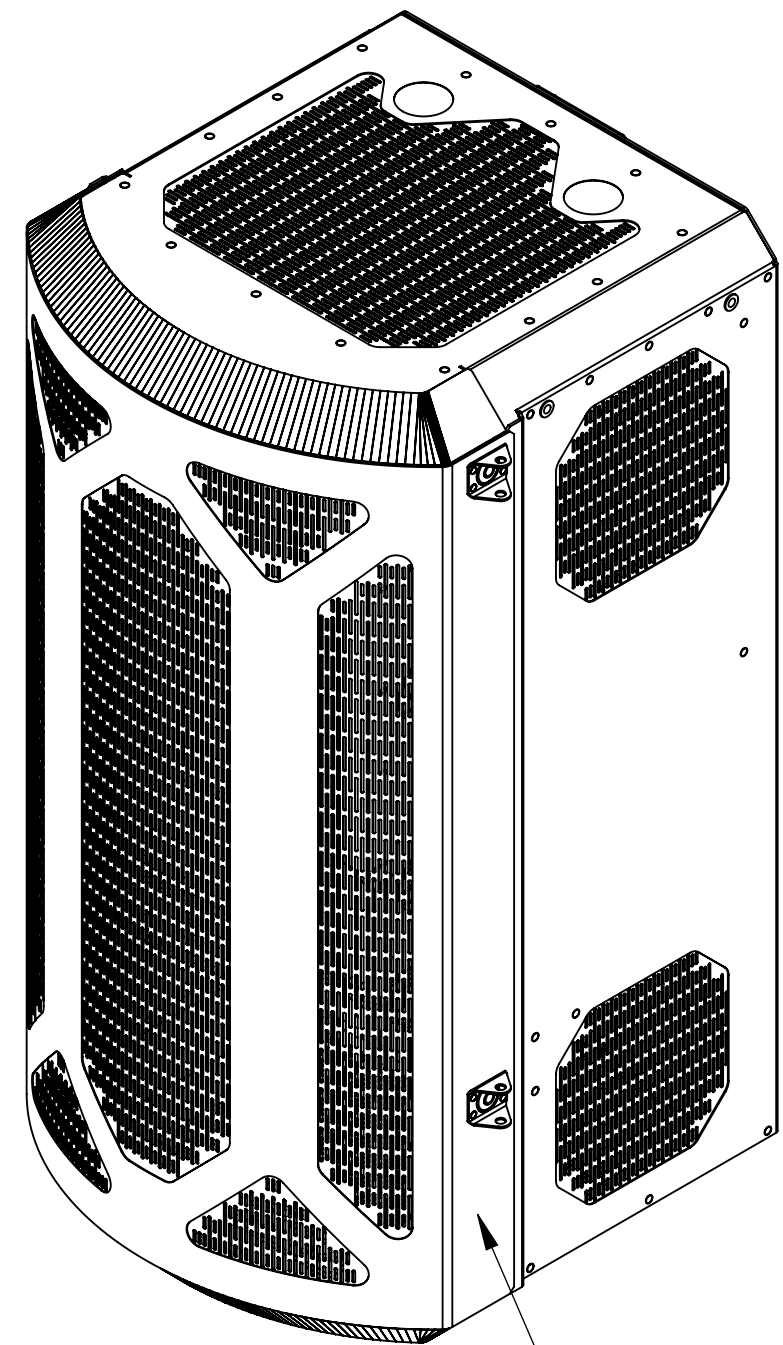
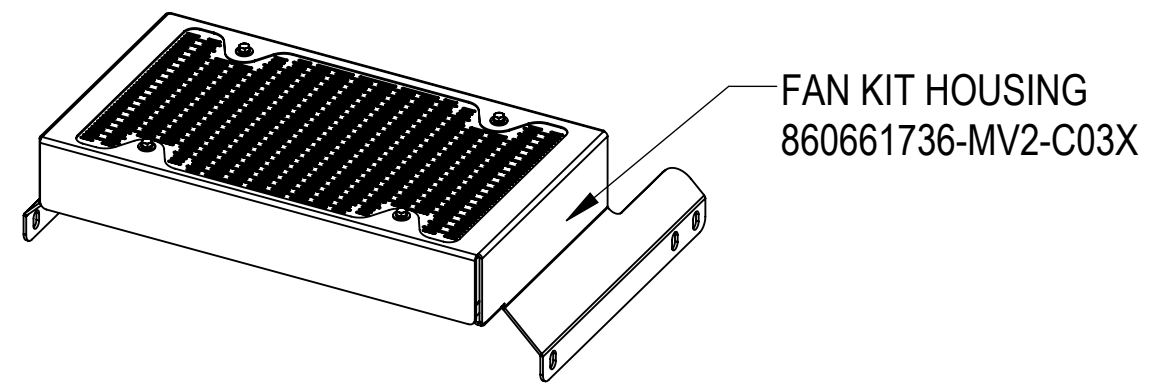
COMMScope, INC. OF NORTH CAROLINA

TOLERANCES		SAP MATERIAL MASTER	
1 PLACE .X[X] ± 0.1[3.0]	3 PLACE .XXX[X] ± 0.030[0.8]	860661736-MV2-C03X	
2 PLACE .XX[X] ± 0.06[1.5]	ANGLES ± 1°		
FINISH		MATERIAL	

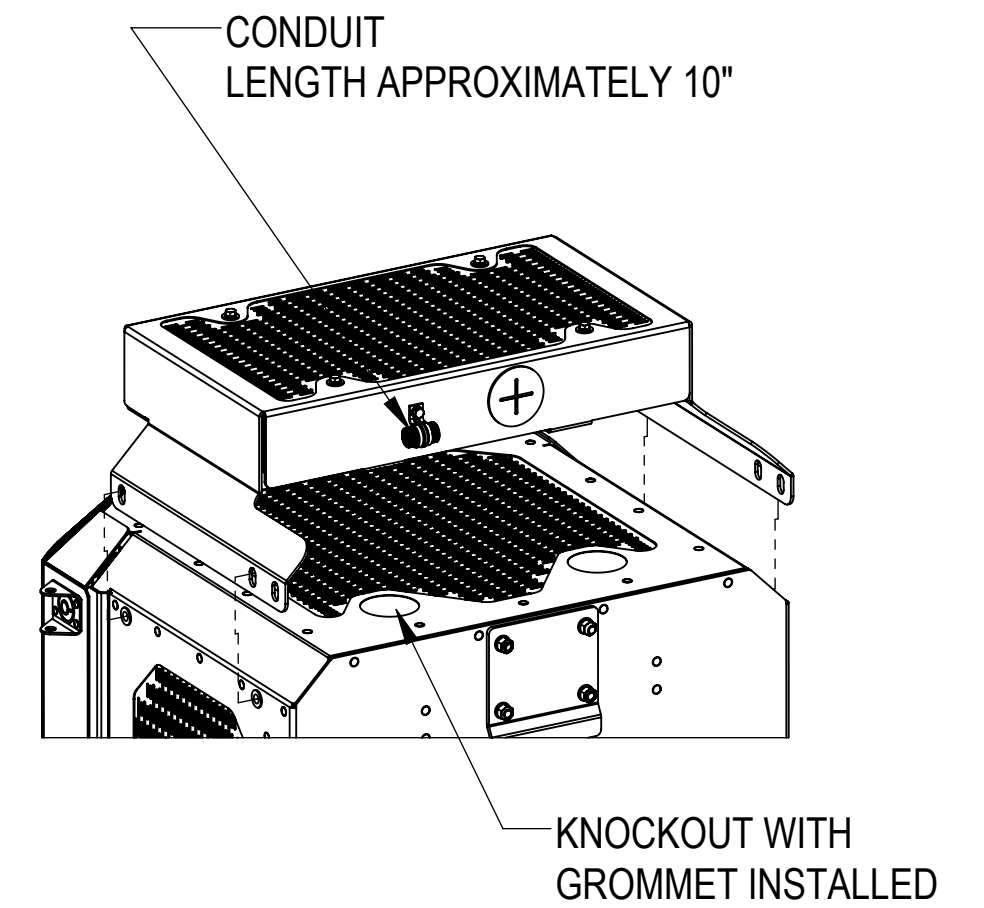
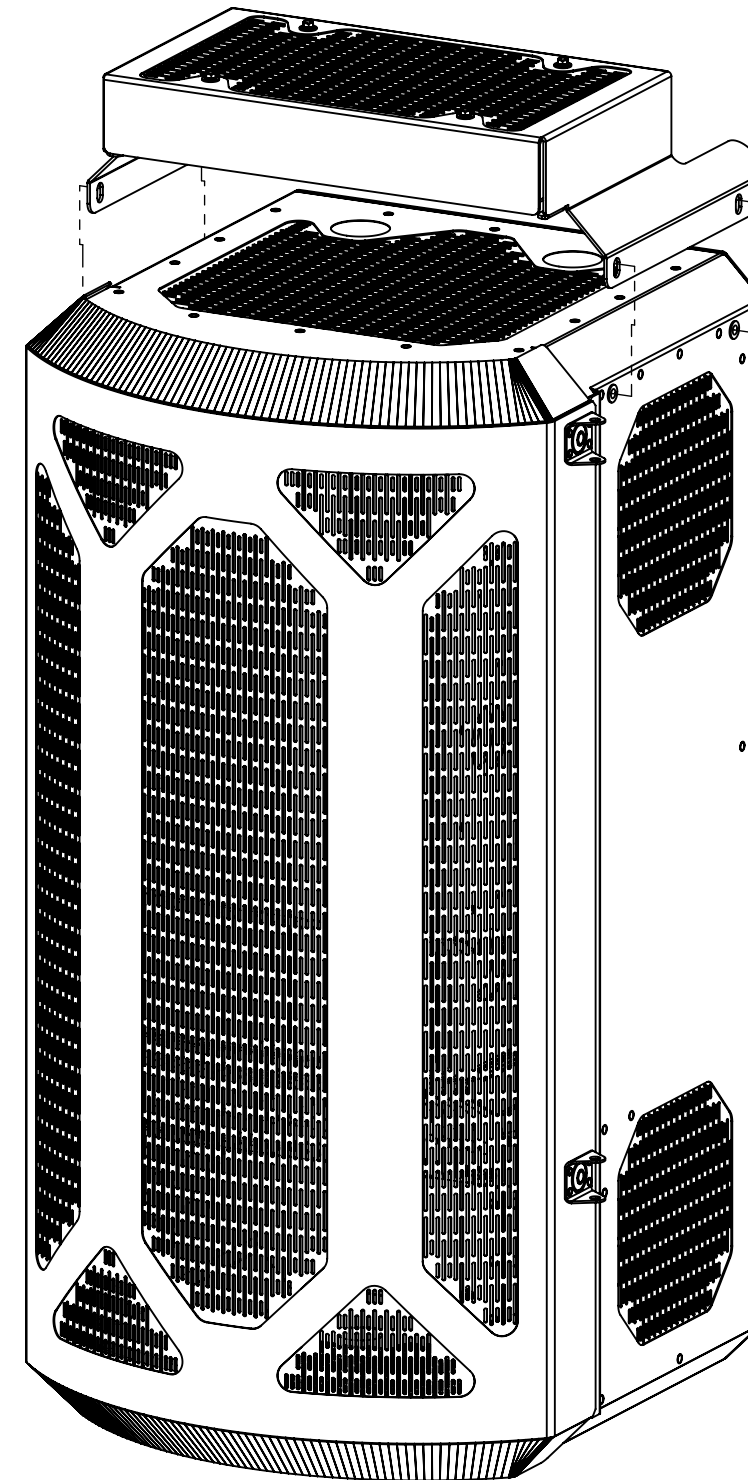
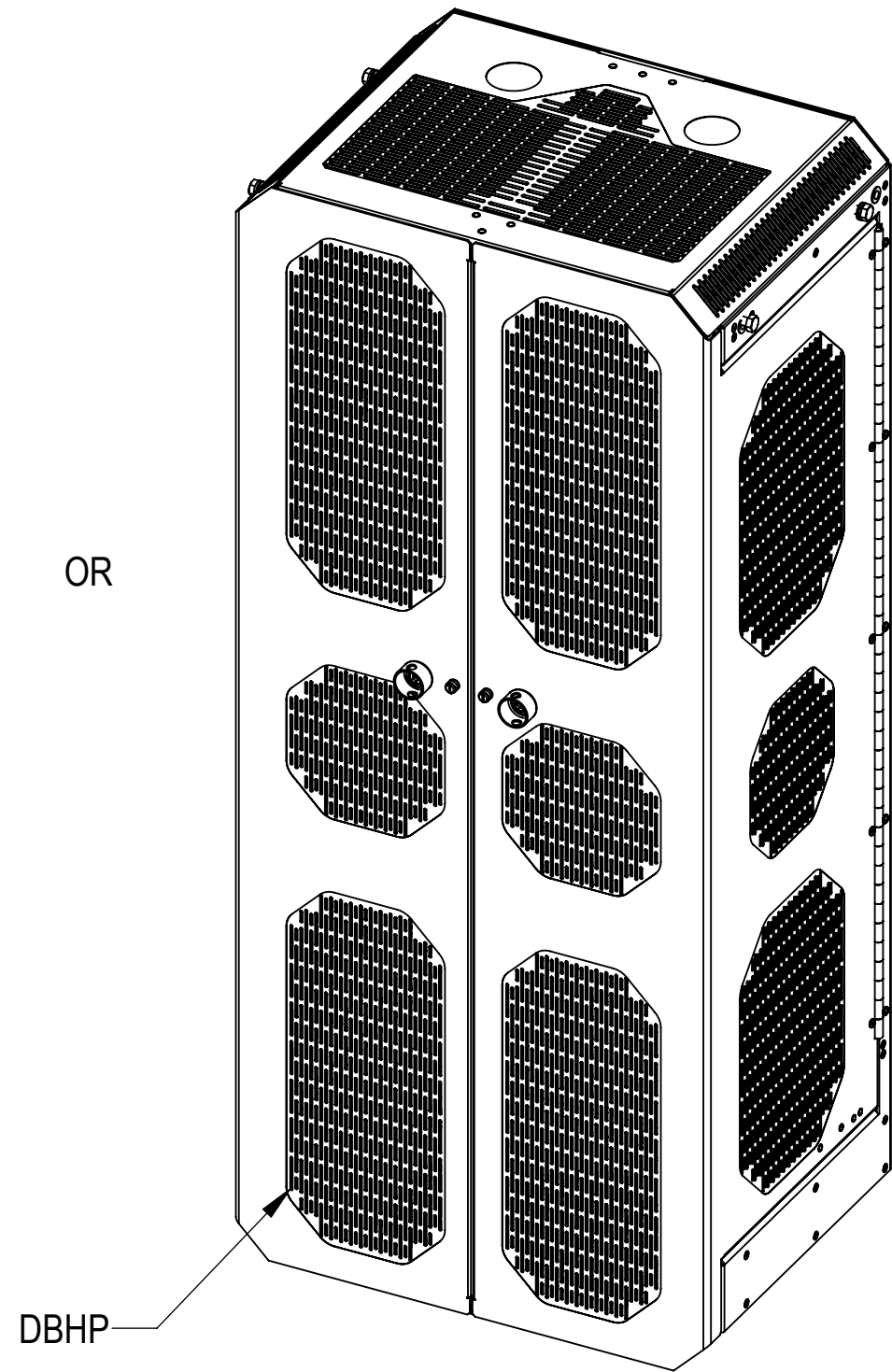
UNLESS OTHERWISE SPECIFIED DIMENSIONS ARE IN INCHES INTERPRET PER ANSI Y 14.5M-1994	NAME	DATE	MV2&DBHP,FAN KITS,INSTALL
	CE	13DEC23	
	RW	10/09/2024	
	AD	10/10/2024	
	RE	10/10/2024	
ECN 40205276CMO			SCALE 1:4
DOCUMENT NO.			860661736-MV2-C03-INSTALL

DENSITY	lbs/in³	MASS	lbs	VOLUME	in³	SURFACE AREA	in²
HEIGHT		LENGTH		WIDTH		SIZE	Auth Group INSL
C			MODEL		DRAWING		SHEET
VERSION	STATUS	REVISION	VERSION	STATUS	REVISION	1 OF 7	
02	RE	C	02	RE	C		

C1 - CONDUIT INSTALLATION


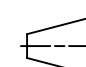


OR

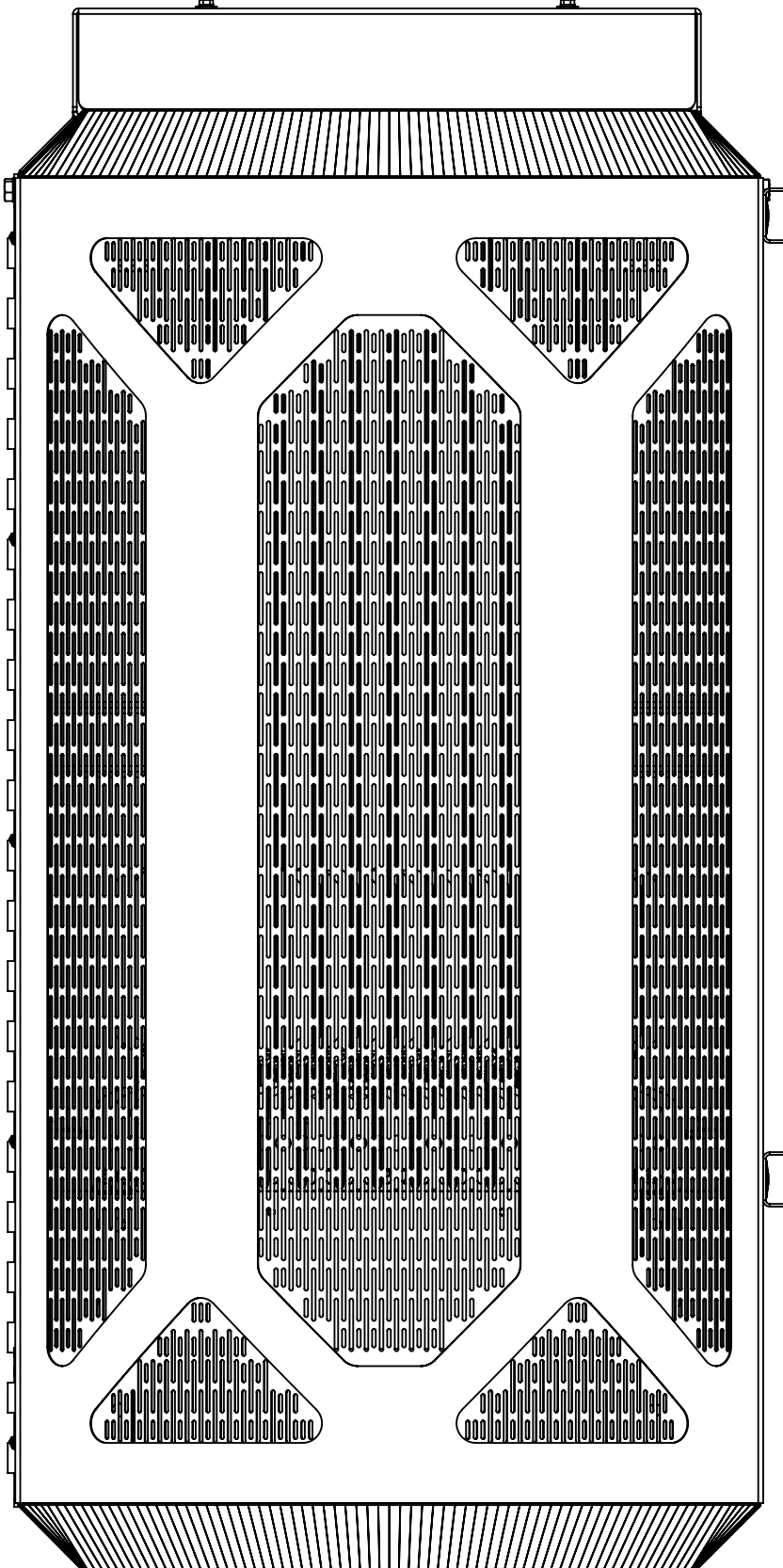
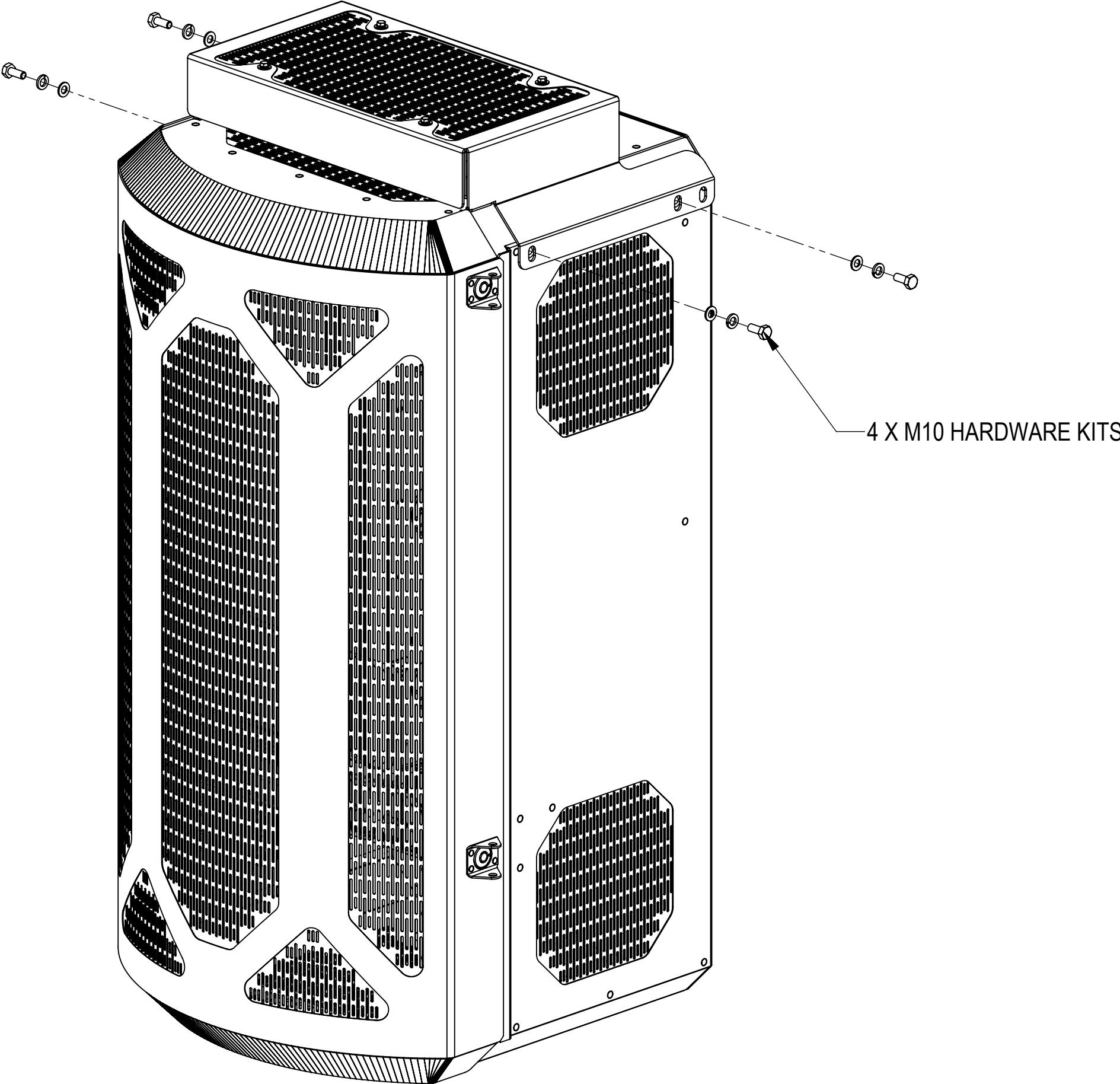


STEP 1
GET THE FAN KIT HOUSING 860661736-MV2-C03X AND MV2 (OR DBHP) READY

STEP 2
INSTALL CONDUIT THROUGH KNOCKOUT WITH GROMMET INSTALLED.
YELLOW COLOR IS NEUTRAL WIRE(N),BLACK IS LIVE WIRE (L),GREEN IS EARTH WIRE(E),
THE REMAINING WIRE IS THE SENSING WIRE.THE DETECTOR HEAD OF SENSOR IS TO BE FIXED
ABOUT 0.75" UNDER A HIGH POWER OR HOTTEST RRU.AC CABLE IS FIXED ALONG THE INNER
WALL OF THE ENCLOSURE AND "N/L/E" ARE CONNECTED TO A FREE BREAKER IN THE POWER
BOX/LOAD CENTER,MINIMUM BREAKER SIZE IS 1.2 AMPS.

COMMSCOPE, INC. OF NORTH CAROLINA				
TITLE MV2&DBHP,FAN KITS,INSTALL				
SIZE C	SCALE 1:8	DOCUMENT NO. 860661736-MV2-C03-INSTALL		
 		DRAWING		SHEET 2 OF 7
		VERSION 02	STATUS RE	

C1 - CONDUIT INSTALLATION

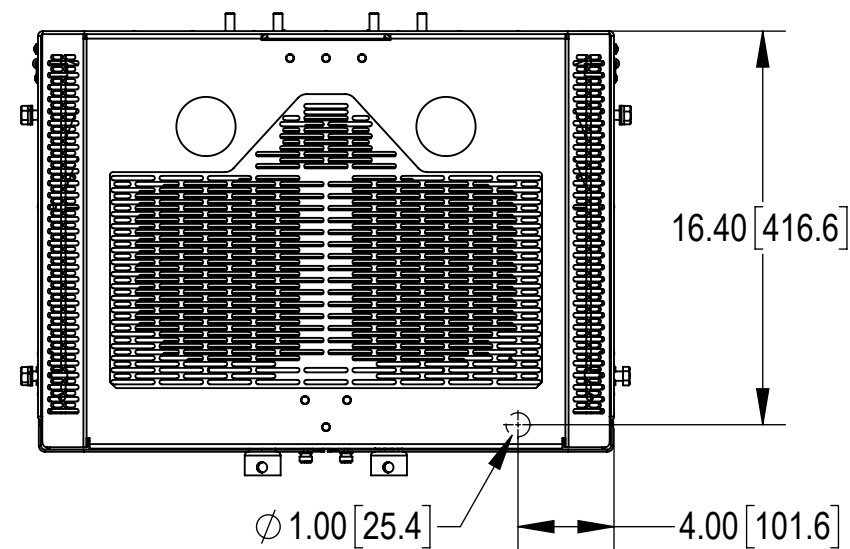
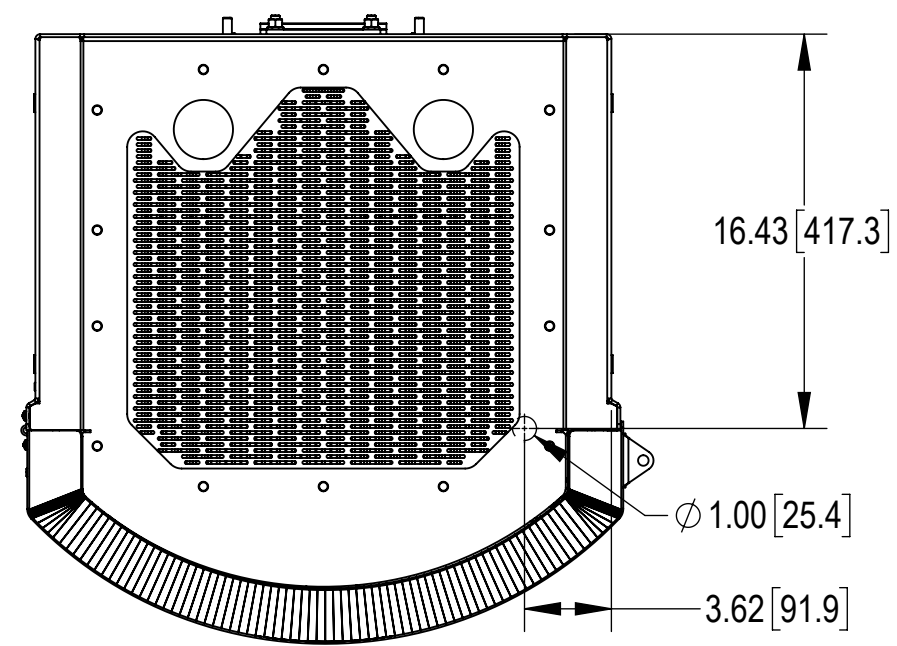


FINISHED PRODUCT

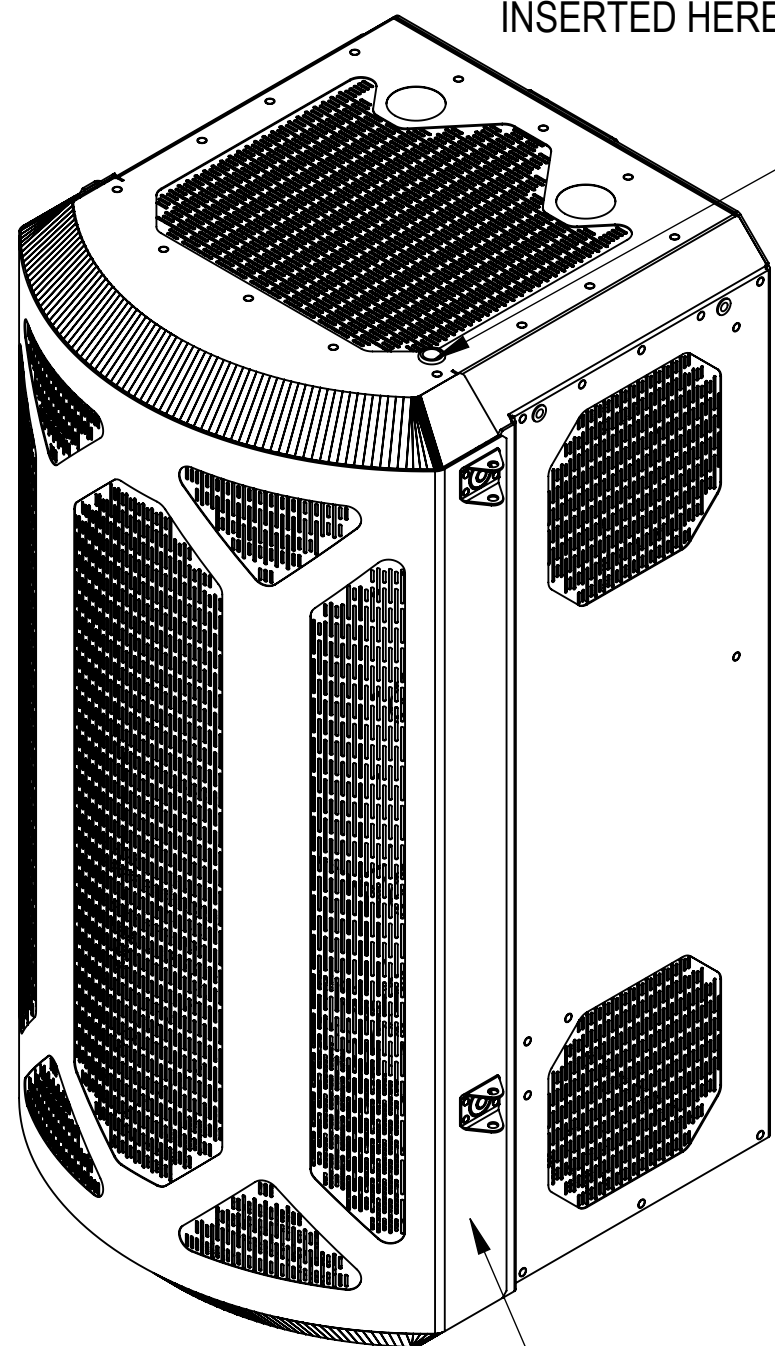
STEP 3
 INSTALL FAN KIT HOUSING TO THE EQUIPMENT AND SECURE USING 4 SETS OF
 M10 HEX BOLTS, LOCK WASHERS AND FLAT WASHERS

COMMSCOPE, INC. OF NORTH CAROLINA				
TITLE				
MV2&DBHP,FAN KITS,INSTALL				
SIZE	SCALE	DOCUMENT NO.		
C	1:6	860661736-MV2-C03-INSTALL		
DRAWING				SHEET
VERSION	STATUS	REVISION	3 OF 7	
02	RE	C		

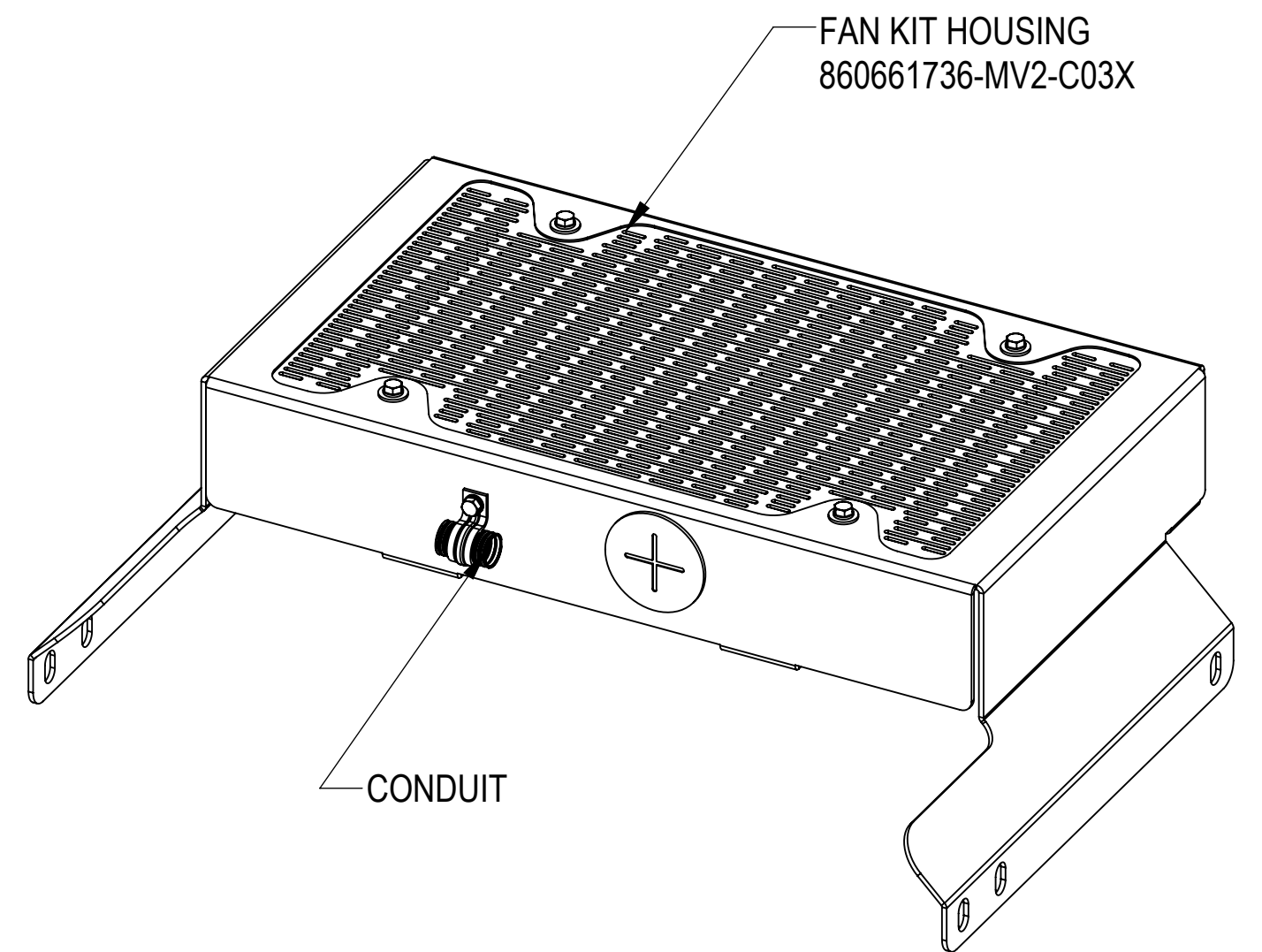
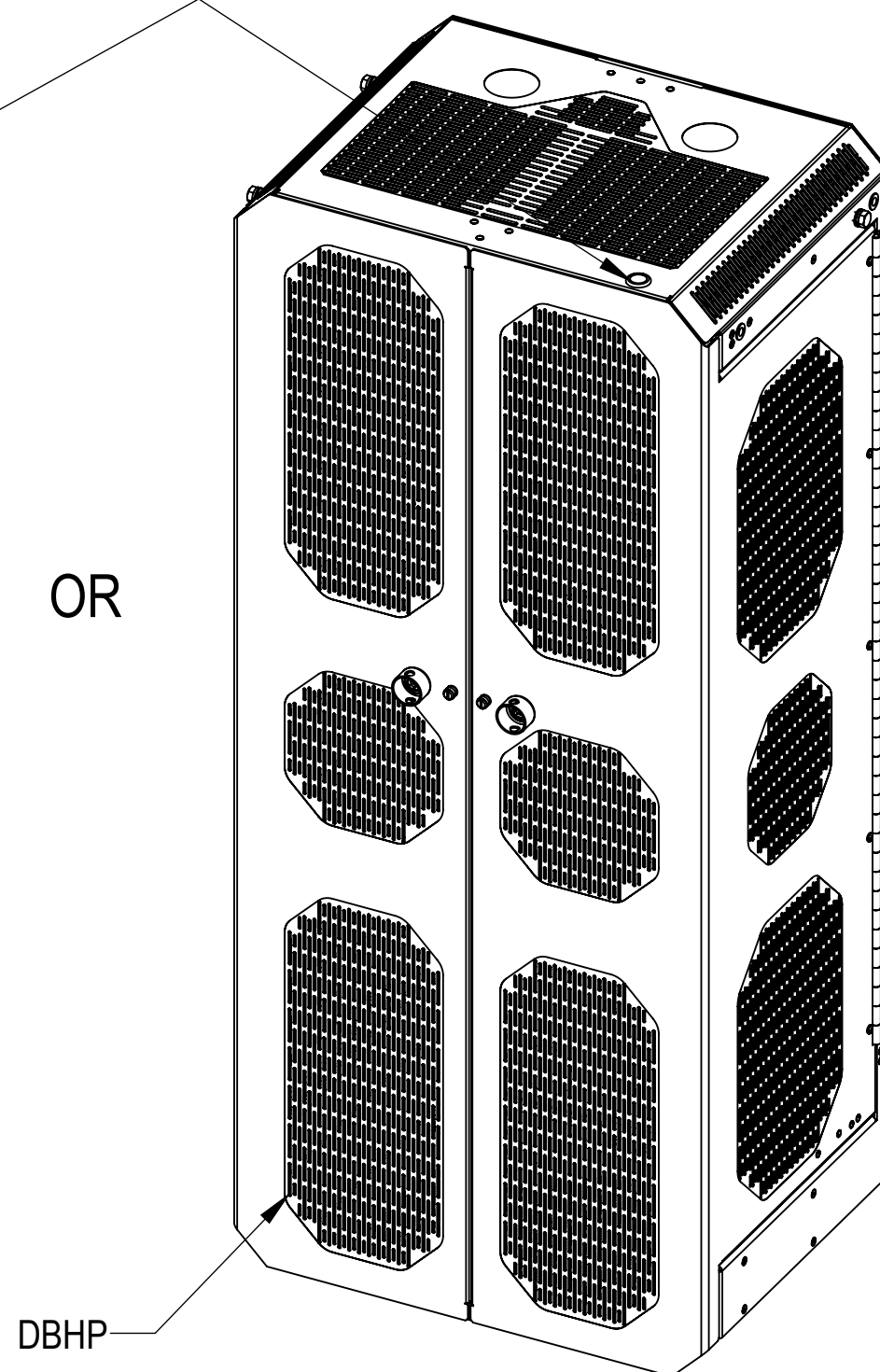
C2 - DRILLING INSTALLATION



1" DIAMETER HOLE TO BE DRILLED OUT AND GROMMET INSERTED HERE



OR

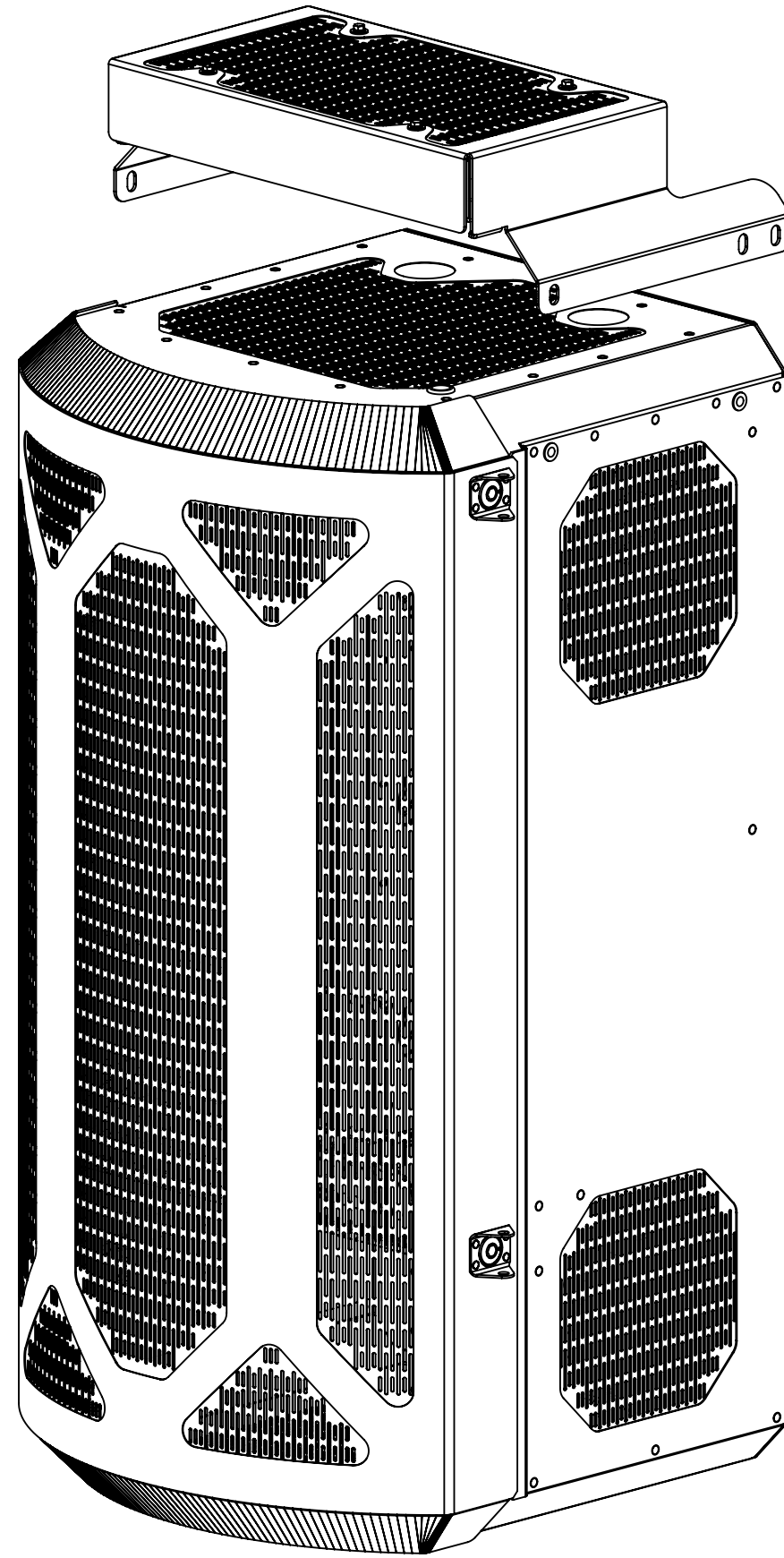


STEP 2
 REMOVE THE CONDUIT FROM FAN KIT HOUSING

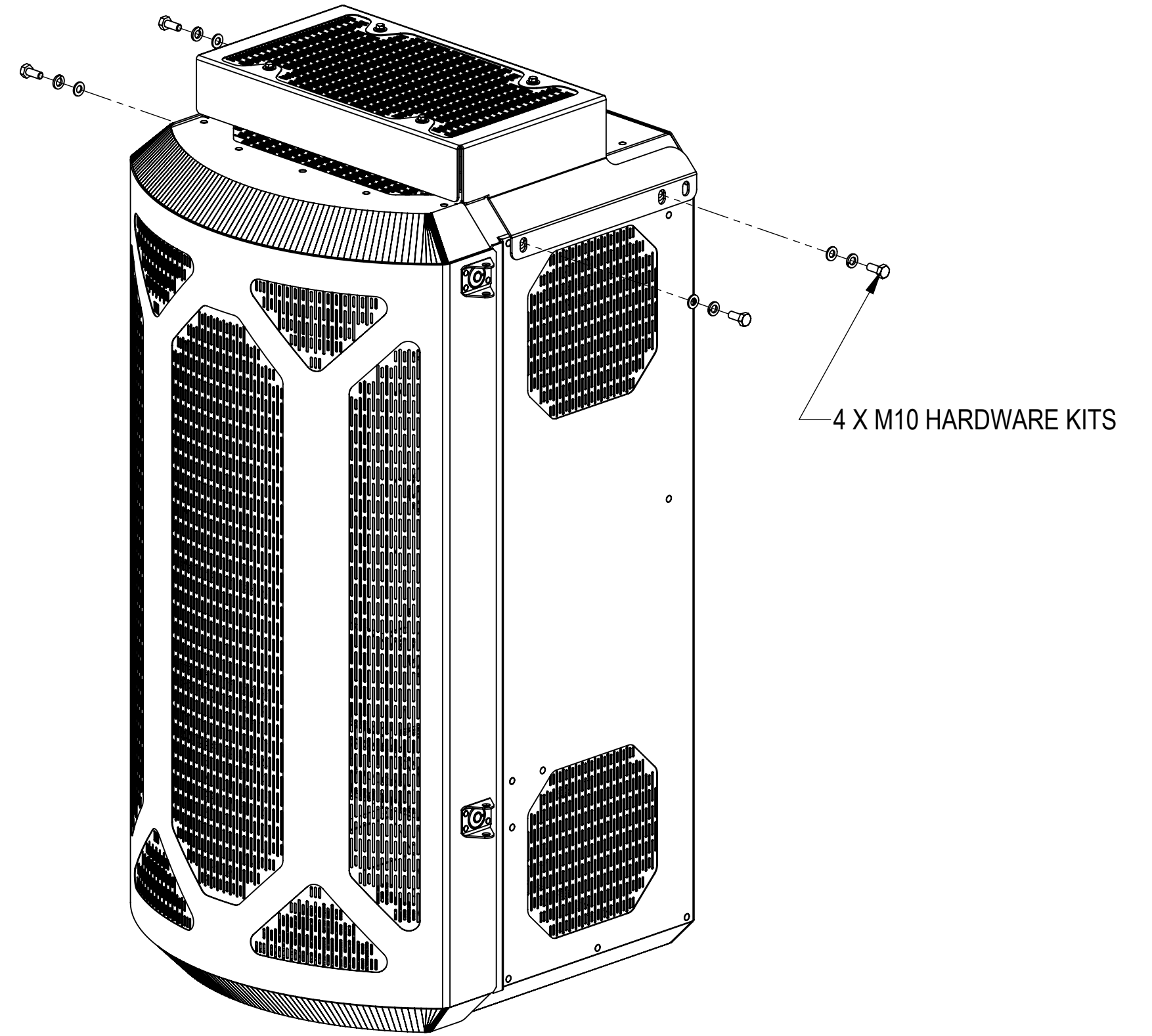
STEP 1
 GET MV2 (OR DBHP) READY
 DRILL 1" Ø HOLE ON SITE ACCORDING TO THE LOCATION SHOWN ON THE MV2 (OR DBHP), TAKING CARE OF AVOID INTERNAL EQUIPMENT, THEN INSTALL THE SUPPLIED GROMMET INTO THE HOLE.

COMMSCOPE, INC. OF NORTH CAROLINA				
TITLE MV2&DBHP,FAN KITS,INSTALL				
SIZE C	SCALE 1:8	DOCUMENT NO. 860661736-MV2-C03-INSTALL		
		DRAWING		
		VERSION 02	STATUS RE	REVISION C
		SHEET 4 OF 7		


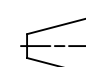
C2 - DRILLING INSTALLATION



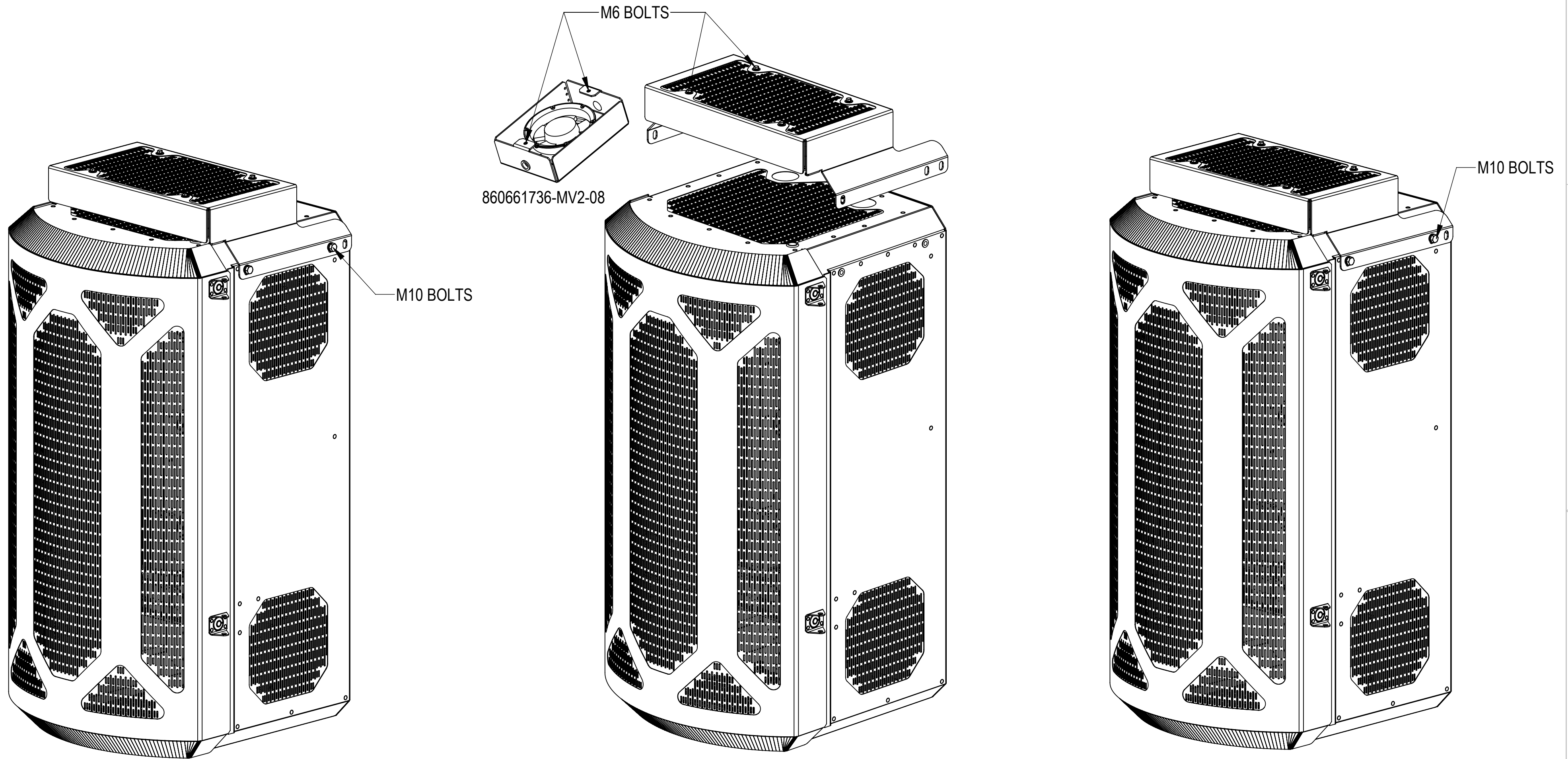
STEP 3
 YELLOW COLOR IS NEUTRAL WIRE(N),BLACK IS LIVE WIRE (L),GREEN IS EARTH WIRE(E),
 THE REMAINING WIRE IS THE SENSING WIRE.THE DETECTOR HEAD OF SENSOR IS TO BE
 FIXED ABOUT 0.75" UNDER A HIGH POWER OR HOTTEST RRU.AC CABLE IS FIXED ALONG
 THE INNER WALL OF THE ENCLOSURE AND "N/L/E" ARE CONNECTED TO A FREE BREAKER
 IN THE POWER BOX/LOAD CENTER,MINIMUM BREAKER SIZE IS 1.2 AMPS.



STEP 4
 INSTALL FAN KIT HOUSING TO THE EQUIPMENT AND SECURE USING 4 SETS OF
 M10 HEX BOLTS, LOCK WASHERS AND FLAT WASHERS

COMMSCOPE, INC. OF NORTH CAROLINA				
TITLE MV2&DBHP,FAN KITS,INSTALL				
SIZE C	SCALE 1:12	DOCUMENT NO. 860661736-MV2-C03-INSTALL		
DRAWING		VERSION	STATUS	REVISION
 		02	RE	C
				SHEET 5 OF 7


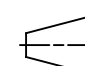
C3 - THE SECONDARY FAN REQUIREMENT



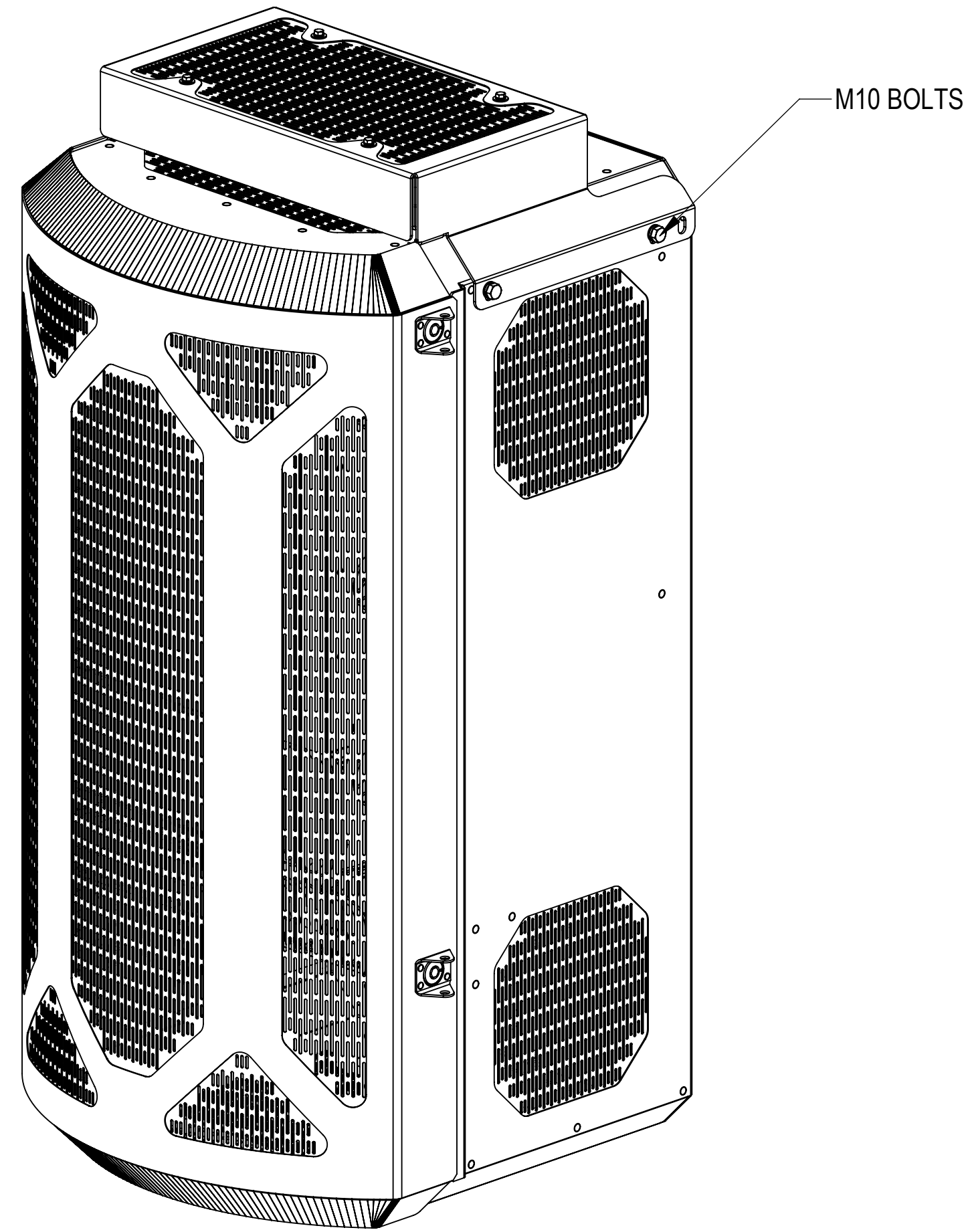
STEP 1
 FAN KIT HOUSING IS INSTALLED TO MV2 OR DBHP, WITH SECONDARY FAN AS REQUIRED. REMOVE M10 BOLTS AS NEEDED TO ACCESS.

STEP 2
 860661736-MV2-08 IS INSTALLED TO FAN KIT HOUSING

STEP 3
 6 PRONGS GOES TO FAN, PRONGS ARE POKA-YOKE, THEY WILL CONNECT ONLY ONE WAY. MAKE SURE LOCKING TABS ARE ENGAGED, THEN LOCK M10 BOLTS.

COMMSCOPE, INC. OF NORTH CAROLINA					
TITLE MV2&DBHP,FAN KITS,INSTALL					
SIZE C	SCALE 1:12	DOCUMENT NO. 860661736-MV2-C03-INSTALL			
 		DRAWING			SHEET 6 OF 7
		VERSION 02	STATUS RE	REVISION C	

FAN MAINTENANCE



STEP
 REMOVE M10 BOLTS AS NEEDED TO ACCESS AND PULL OUT THE CONNECTORS. REMOVE AND REPLACE EXISTING FANS, AND REINSERT THE CONNECTOR. 3 PRONGS GOES TO LOAD CENTER, 6 PRONGS GOES TO FAN, PRONGS ARE POKA-YOKE, THEY WILL CONNECT ONLY ONE WAY. MAKE SURE LOCKING TABS ARE ENGAGED, THEN LOCK M10 BOLTS.

COMMSCOPE, INC. OF NORTH CAROLINA					
TITLE MV2&DBHP,FAN KITS,INSTALL					
SIZE C	SCALE 1:12	DOCUMENT NO. 860661736-MV2-C03-INSTALL			
		DRAWING			SHEET
		VERSION 02	STATUS RE	REVISION C	7 OF 7