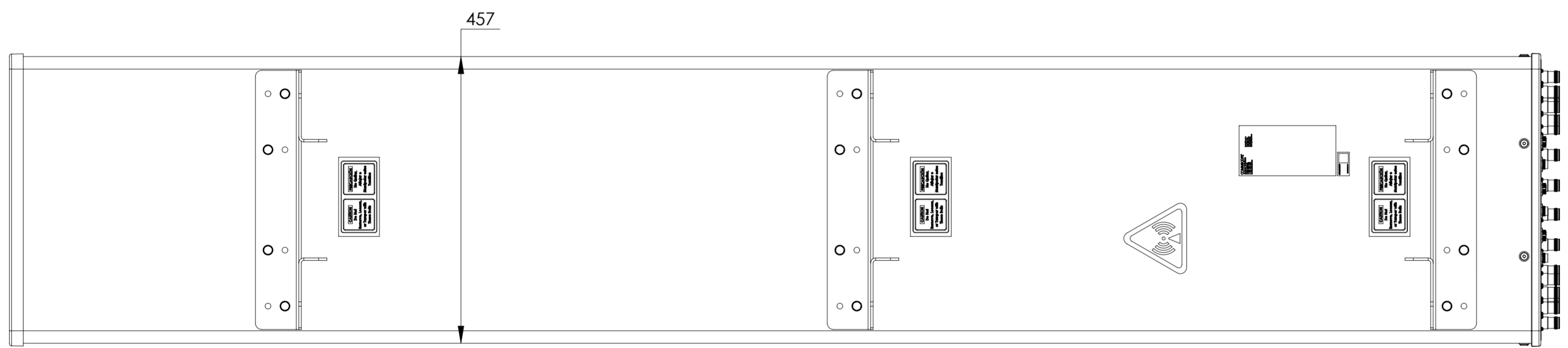
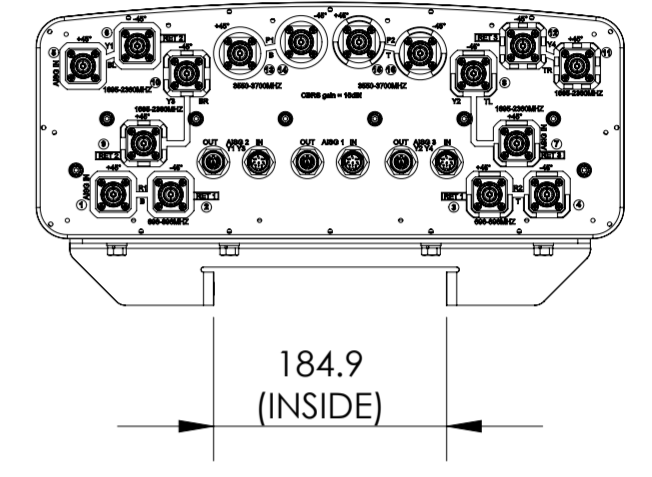
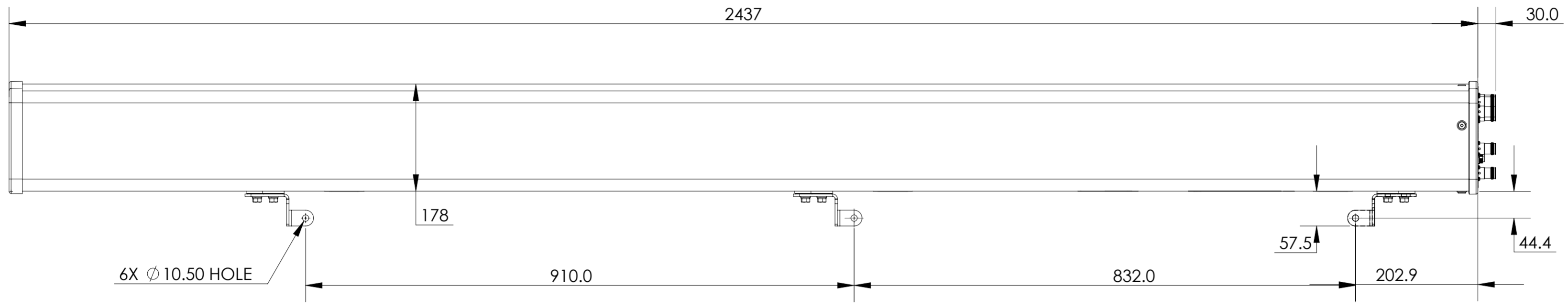


REVISION
A



NNH4SS-45C-R3BT8