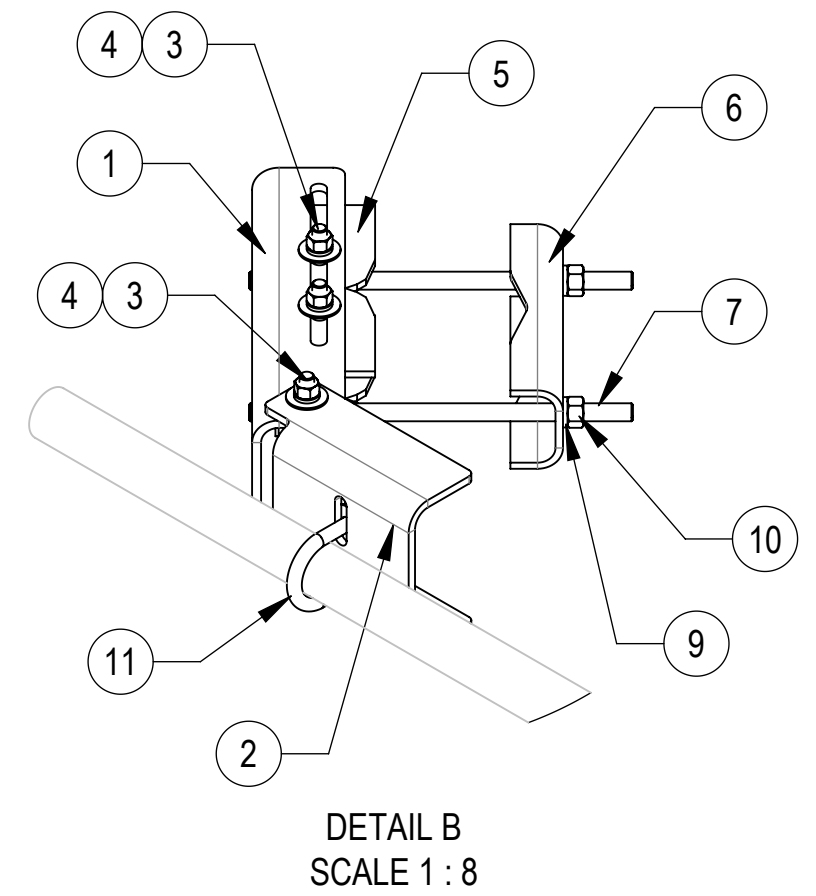
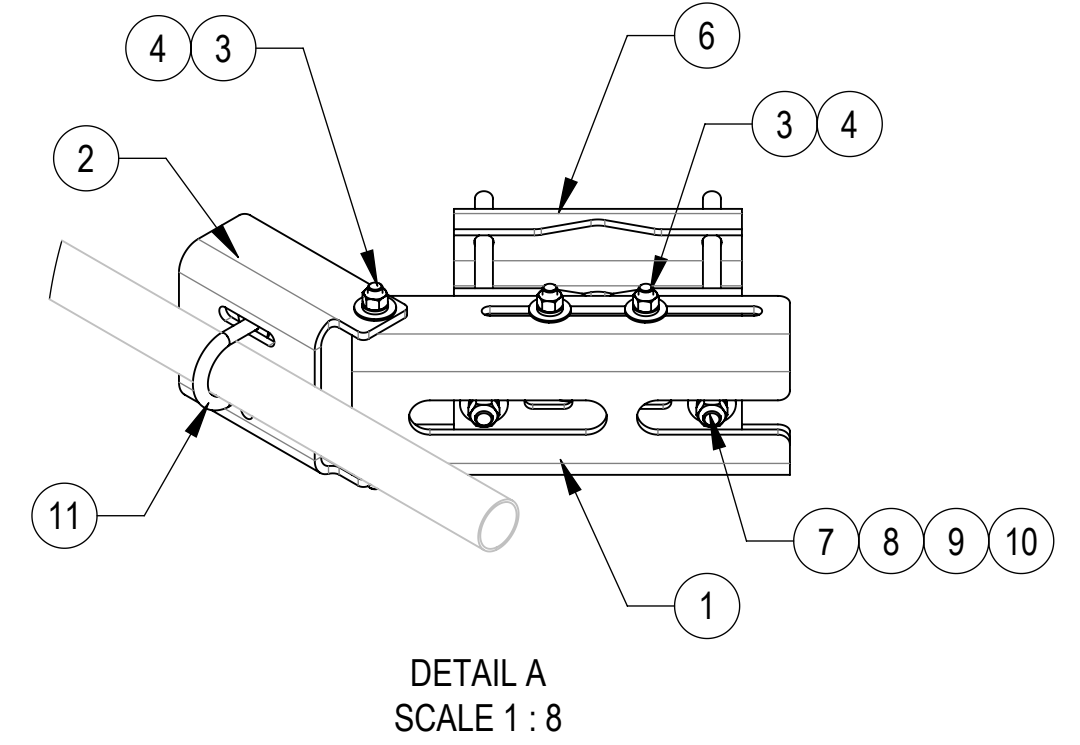
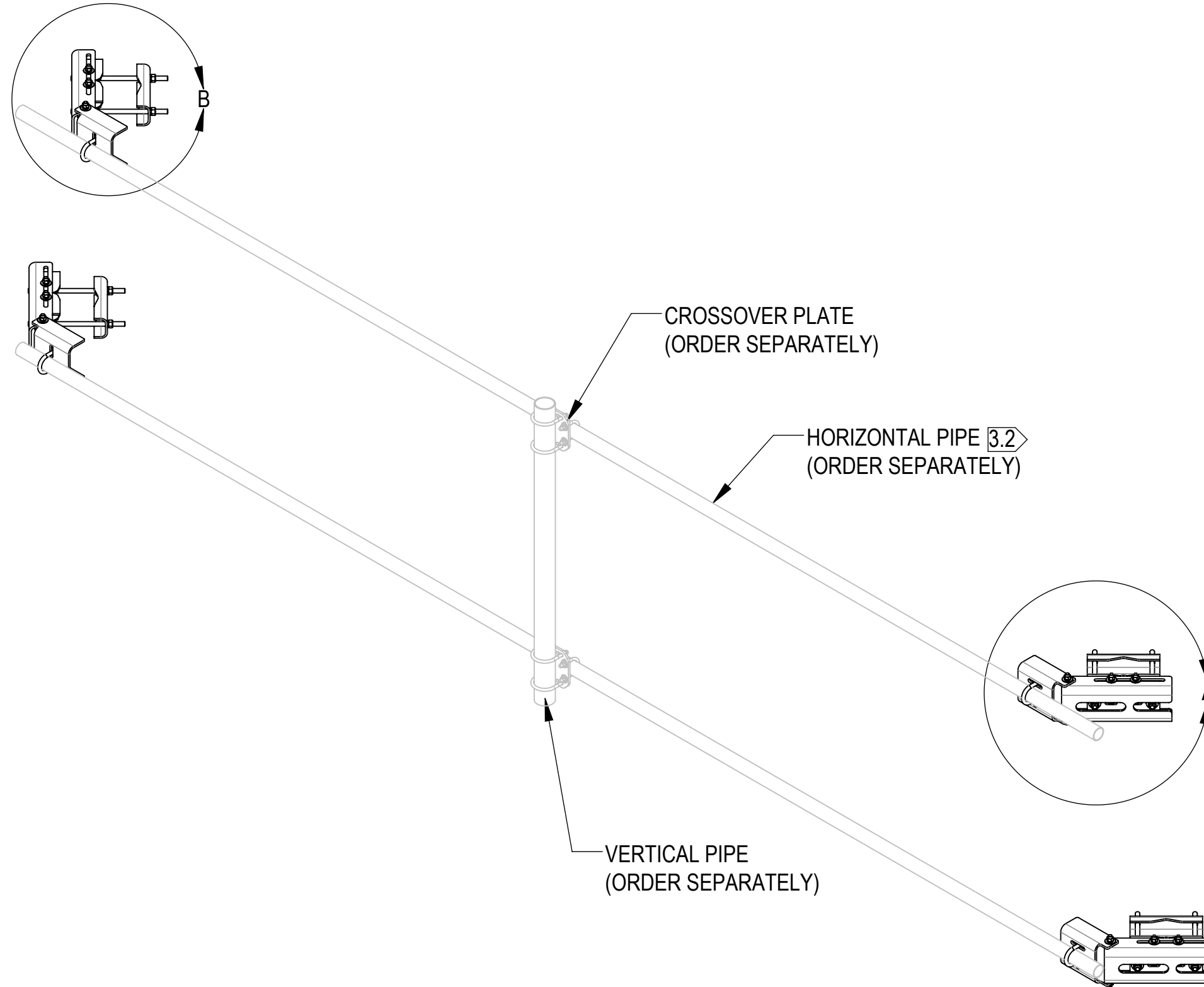


- 1.0 GENERAL NOTES
 - 1.1 ALL METRIC DIMENSIONS ARE IN BRACKETS [X. X]
 - 1.2 FOR PATENT INFO: <https://www.cs-pat.com>
- 2.0 DESIGN NOTES
 - 2.1 ANY HAZARDS OR OBSTRUCTIONS TO THE CLIMBING FACILITY AND SAFETY CLIMB MUST BE IDENTIFIED PRIOR TO INSTALLING THE APPURTENANCE. ADDITIONAL PRODUCTS MAY BE REQUIRED TO MAINTAIN THE INTEGRITY OF THE SAFETY CLIMB. DURING INSTALLATION, TEMPORARY AND/OR PERMANENT PRECAUTIONARY MEASURES SHOULD BE TAKEN TO PRESERVE THE CLIMBING FACILITY AND/OR SAFETY CLIMB.
- 3.0 MANUFACTURING/SPECIAL REQUIREMENTS
 - 3.1 TIGHTEN ALL BOLTS SECURING FLAT PLATES BY THE TURN-OF-NUT METHOD. TIGHTEN ALL U-BOLTS USING TURN-OF-NUT METHOD WITH ATTENTION TO LEAVE EQUAL DISTANCE AND EQUAL FORCE ON EACH LEG OF THE U-BOLT.
 - 3.2 3.2 ALLOWS FOR THE 2-3/8" TO 3-1/2" OD PIPES. U-BOLTS FOR OTHER THAN 2-3/8" OD PIPE MUST BE PURCHASED SEPARATELY.
- 4.0 TEST
- 5.0 PACKAGING
 - 5.1 PACKAGING SHALL MEET COMMSCOPE REQUIREMENTS PER DOCUMENT IS-PL-3005
 - 5.2 PRINTED DOCUMENT TO BE PLACED INSIDE POLYBAG AND THEN IN SHIPPING CONTAINER
 - 5.3 EXTRA HARDWARE MAY BE SUPPLIED, BAGGED AND SHIPPED

| REVISIONS | | | |
|-----------|--|-------------------|-----------------------|
| REV. | DESCRIPTION | DATE | APPROVED |
| B | UPDATED TO THE LATEST DRAWING TEMPLATE | JL1183 24OCT24 | CB1094 40207215CMO |



COMPONENT PART NUMBERS PROVIDED FOR ASSEMBLY PURPOSES;
INDIVIDUAL COMPONENTS MAY BE SHIPPED AS PARTS WITHIN AN INCLUDED KIT.

| ITEM | PART NO. | DESCRIPTION | QTY. | WEIGHT | NOTE NO. |
|------|------------|--------------------------------|------|-----------|--------------|
| 1 | MTC9872.01 | CHANNEL ADAPTER | 4 | 20.93 LBS | |
| 2 | MTC987202 | CHANNEL PIVOT BRACKET | 4 | 12.43 LBS | |
| 3 | GB-0520A | 5/8" X 2" GALV BOLT KIT (A325) | 24 | 0.26 LBS | |
| 4 | GWF-05 | 5/8" GALV FLAT WASHER, 1.7OD | 24 | 0.06 LBS | |
| 5 | MTC987210 | SADDLE MOUNT | 4 | 12.58 LBS | |
| 6 | SMU208006 | CLAMP PLATE | 4 | 6.96 LBS | |
| 7 | MT38416 | 3/4" X 16" GALV THREADED ROD | 8 | 1.99 LBS | |
| 8 | GWF-06 | 3/4" GALV FLAT WASHER | 16 | 0.10 LBS | |
| 9 | GWL-06 | 3/4" GALV LOCK WASHER | 16 | 0.04 LBS | |
| 10 | GN-06 | 3/4" GALV HEX NUT | 24 | 0.15 LBS | |
| 11 | GUB52440 | 5/8" X 2-1/2" X 4" GALV U-BOLT | 4 | 0.89 LBS | SEE NOTE 3.2 |

| | | |
|--------------|----------|---------------------|
| DENSITY | | lbs/in ³ |
| MASS | 348.55 | lbs |
| VOLUME | 862.44 | in ³ |
| SURFACE AREA | 5777.68 | in ² |
| HEIGHT | (7.87") | |
| LENGTH | (12.95") | |
| WIDTH | (24.28") | |

COMMSCOPE, INC. OF NORTH CAROLINA

| | | | |
|-------------------------------|------------------------------|---------------------|----------|
| TOLERANCES | | SAP MATERIAL MASTER | |
| 1 PLACE .X[X] ± 0.2[6.3] | 3 PLACE .XXX[X] ± 0.060[1.5] | RR-FM-B | |
| 2 PLACE .XX[X] ± 0.12[3.0] | ANGLES ± 2° | | |
| FINISH | | MATERIAL | |
| UNIVERSAL FACE MOUNT BASE KIT | | | |
| SCALE | | DOCUMENT NO. | |
| 1:20 | | RR-FM-B | |
| SIZE | Auth Group | INSL | MODEL |
| C | | | VERSION |
| | | | STATUS |
| | | REVISION | DRAWING |
| | | 01 | VERSION |
| | | RE | STATUS |
| | | B | REVISION |
| | | 01 | RE |
| | | B | |
| | | | SHEET |
| | | | 1 OF 1 |