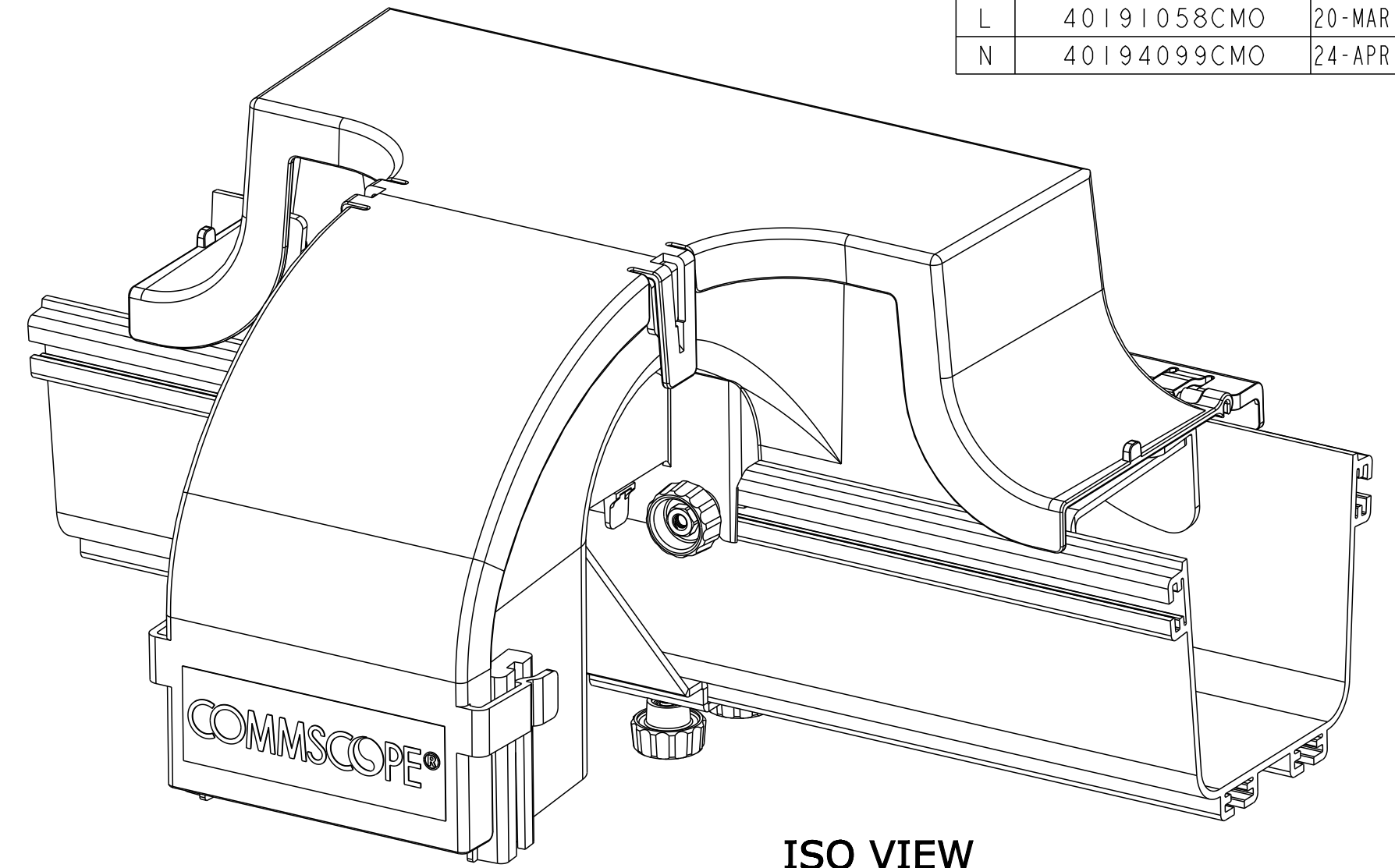
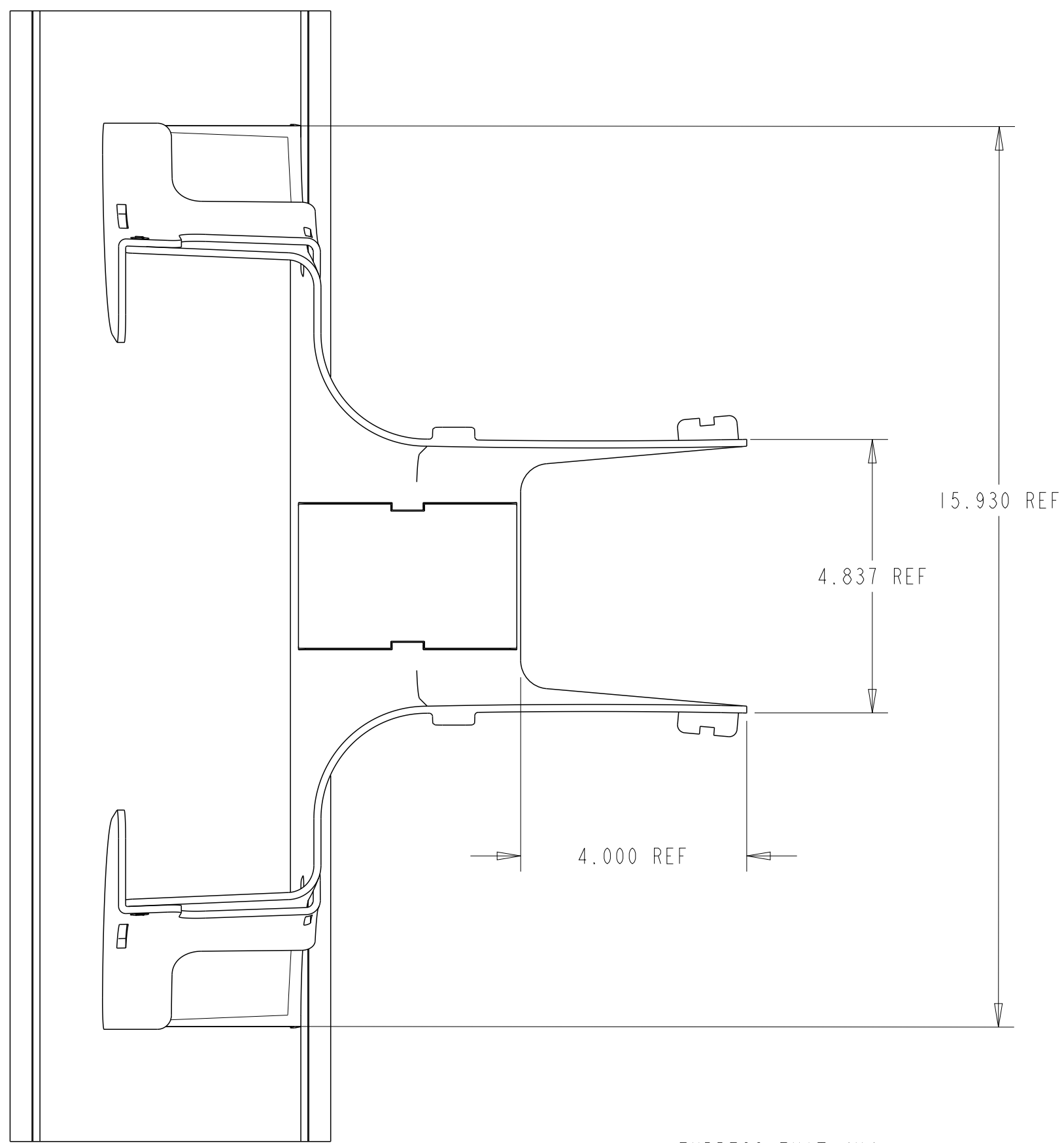
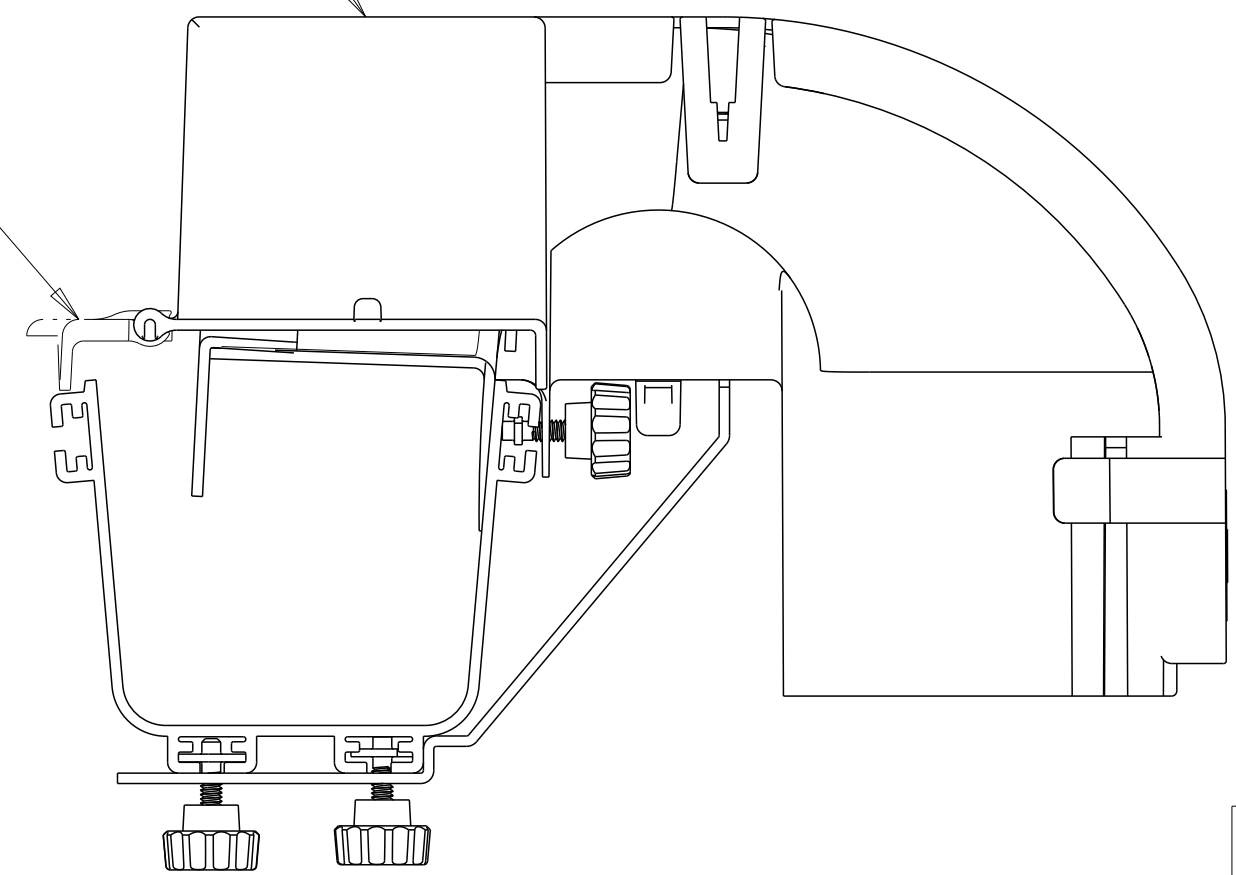


REVISIONS			
REV	CMO	DATE	APPROVED
L	40191058CMO	20-MAR-2024	GVR
N	40194099CMO	24-APR-2024	GVR



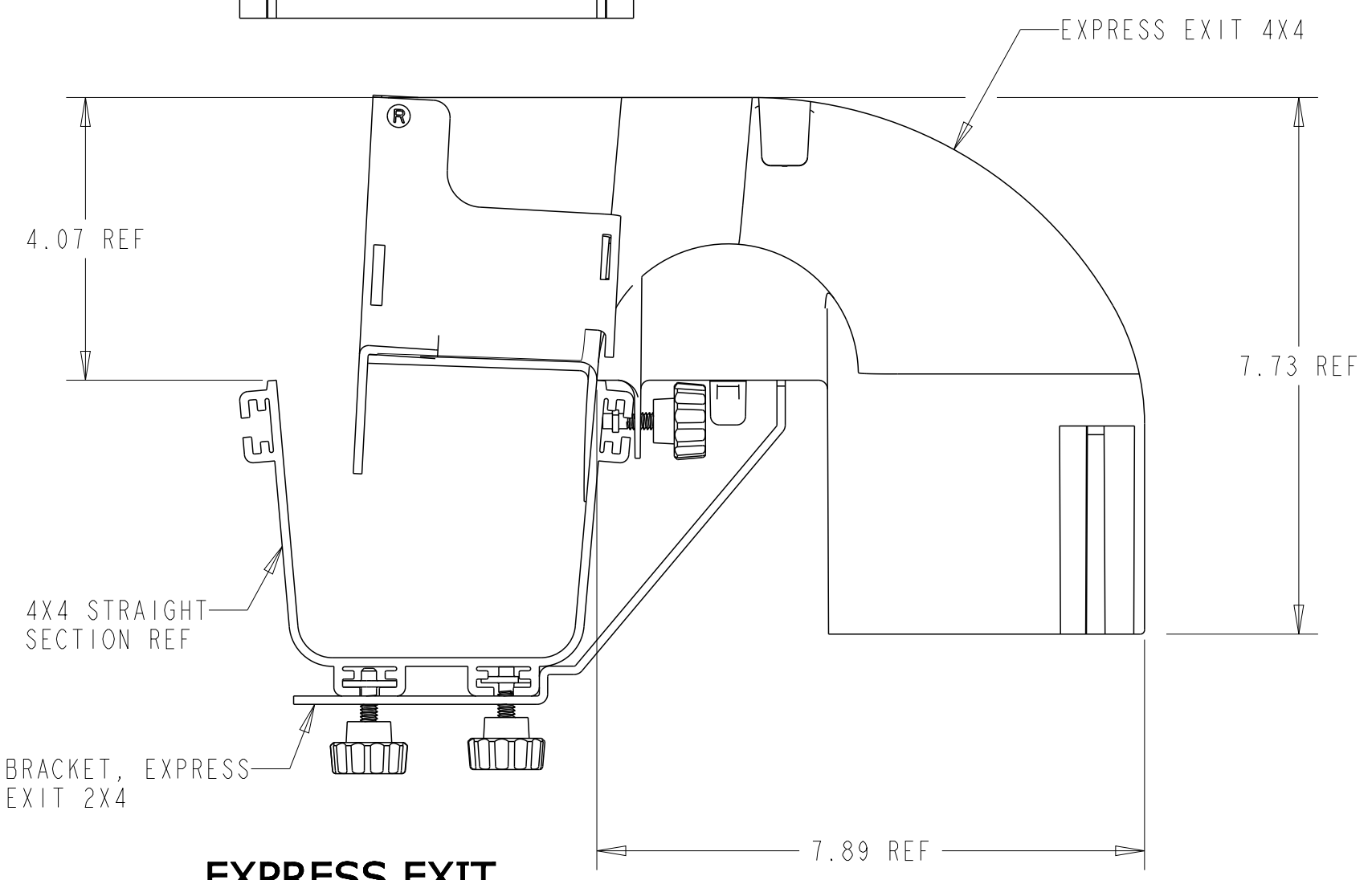
I COVER, EXPRESS EXIT 4X4

COVER EXTENSION
4X4 FLIP COVER
FGS-MEXC-E-A
(NOT INCLUDED IN KIT)



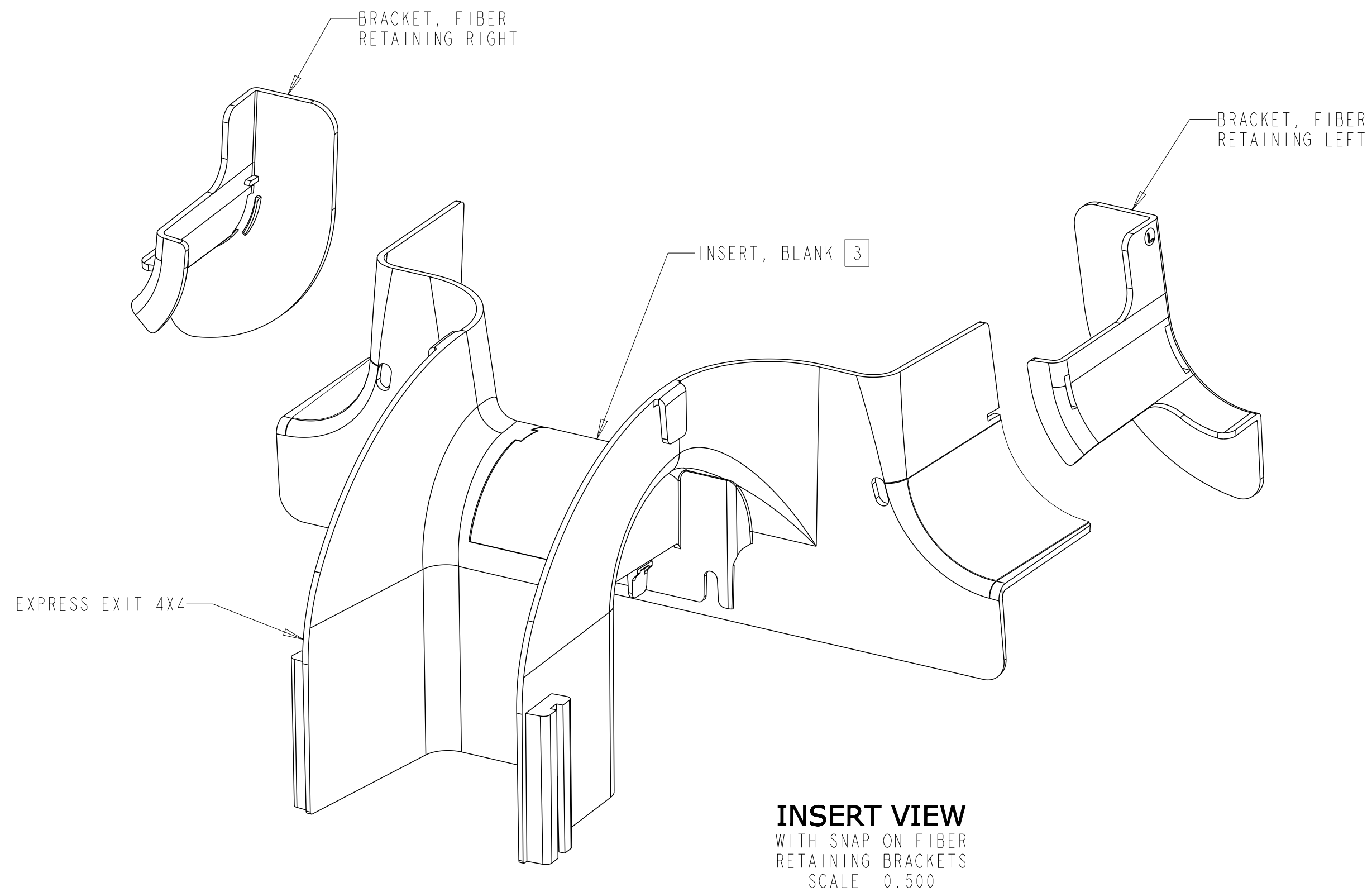
FLIP COVER OPEN VIEW
SCALE 0.450

FGSB-MEXP-E-ABF-NC	BLACK
FGS-MEXP-E-ABF-NC	YELLOW
I FGSB-MEXP-E-A/B/F	BLACK
I FGS-MEXP-E-A/B/F	YELLOW
CATALOG NO.	COLOR



EXPRESS EXIT ON TROUGH VIEW
SCALE 0.450

COMMSCOPE, INC.			
DRAFTER GILBERTO VILLA	TITLE KIT, BRACKET, RESTRAINING, L/R, FGS		
ENGINEER RUBEN ARVILLA	SIZE A2	SCALE 1.000	DOCUMENT NO. 1147583_ADC
CUSTOMER DRAWING			REVISION SHEET N 1 OF 4



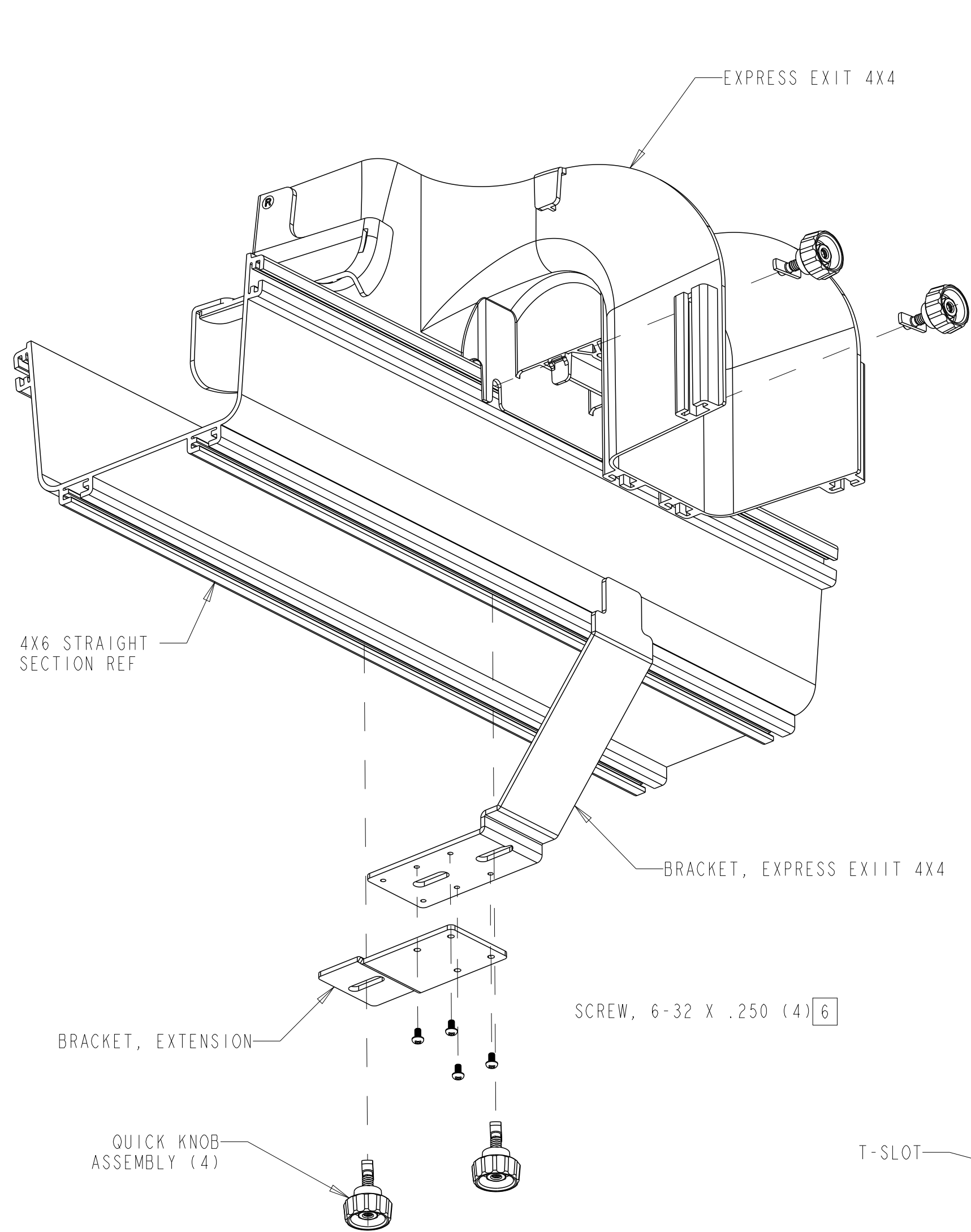
INSERT VIEW
WITH SNAP ON FIBER
RETAINING BRACKETS
SCALE 0.500

INSTALLATION INSTRUCTIONS:

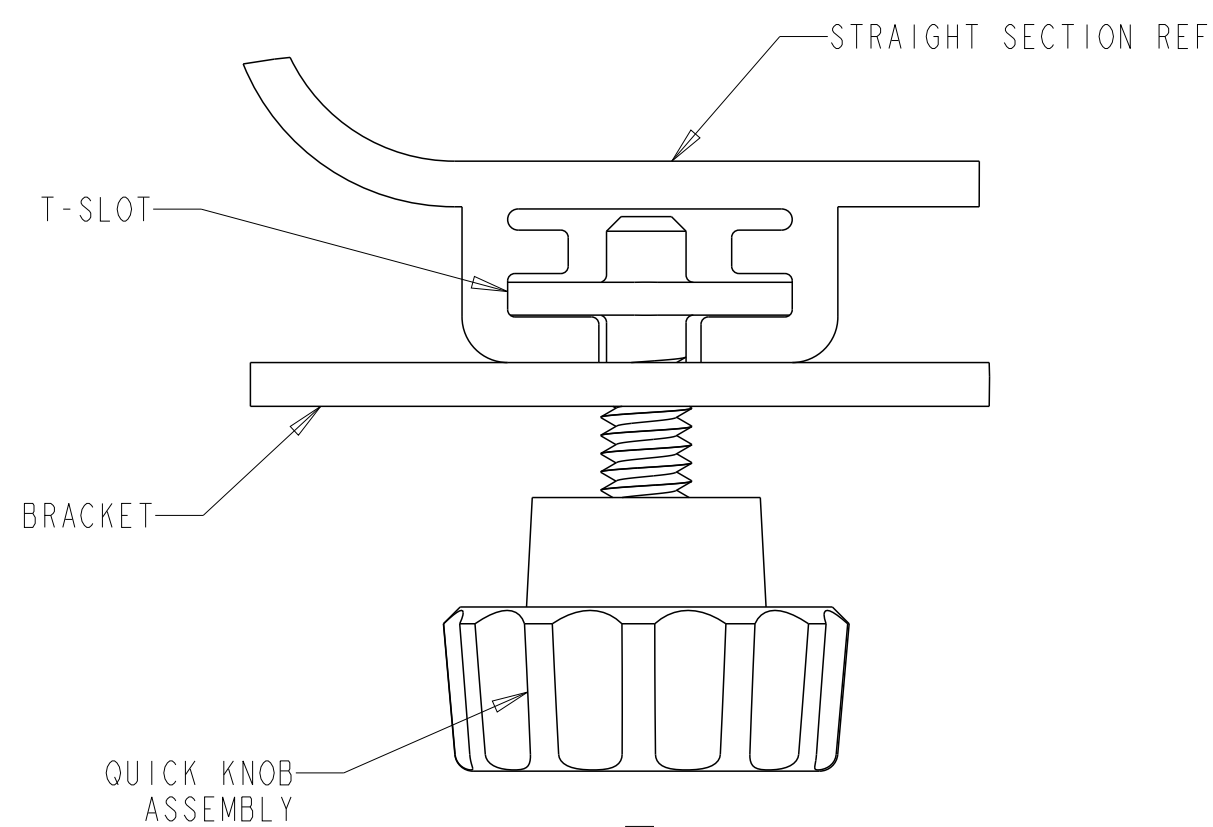
1. CHECK COMPONENT LIST TO SEE IF COVER IS AVAILABLE ON THIS KIT.
 2. PLACE FIBER RETAINING BRACKETS ON EXPRESS EXIT BY ALIGNING RAISED TAB ON BRACKET WITH CUT OUT ON EXPRESS EXIT AND ROTATE TOWARDS EXPRESS EXIT UNTIL SNAPPED INTO PLACE. (OPTIONAL)
 3. INSERT BLANK REMOVABLE PREVIOUSLY INSTALLED.
 4. PLACE EXPRESS EXIT 4X4 ON STRAIGHT SECTION AS SHOWN.
 5. LIFT ONE END OF EXPRESS EXIT 4X4 AND INSTALL QUICK KNOBS INTO T-SLOT, LOWER EXPRESS EXIT ONTO STRAIGHT SECTION. REPEAT FOR OTHER SIDE. ROTATE QUICK KNOBS CLOCKWISE SUCH THAT T-BOLT FLANGES EXTEND INTO T-SLOT. LOOSELY HAND TIGHTEN QUICK KNOBS. SEE DETAIL A.
- *WARNING:** IF EXPRESS EXIT IS REMOVED FROM STRAIGHT SECTION WHILE QUICK KNOBS ARE INSTALLED, QUICK KNOBS WILL FALL OUT.
6. ATTACH EXTENSION BRACKET TO EXPRESS EXIT USING 6-32 X .250 LONG SCREWS WITH TORQUE OF 9 lb-in. (4X6 AND 4X12 STRAIGHT SECTION ONLY)
 7. INSERT QUICK KNOBS THROUGH BRACKET, ROTATE 90° AND INTO T-SLOT IN STRAIGHT SECTION WHILE INSERTING BRACKET INTO EXPRESS EXIT SLOT. ROTATE QUICK KNOBS CLOCKWISE SUCH THAT T-BOLT FLANGES EXTEND INTO T-SLOT. SEE DETAIL A.
 8. TIGHTEN (4) QUICK KNOBS COMPLETELY.

COMPONENT LIST	
DESCRIPTION	QTY
EXPRESS EXIT 4X4	1
1 COVER, EXPRESS EXIT 2X4	1
BRACKET, RETAINING FIBER RIGHT	1
BRACKET, RETAINING FIBER LEFT	1
INSERT, BLANK REMOVABLE	1
BRACKET, EXPRESS EXIT 4X4	1
BRACKET, EXTENSION 6" & 12" FGS	1
QUICK KNOB ASSEMBLY	4
SCREW, 6-32 X .250	4

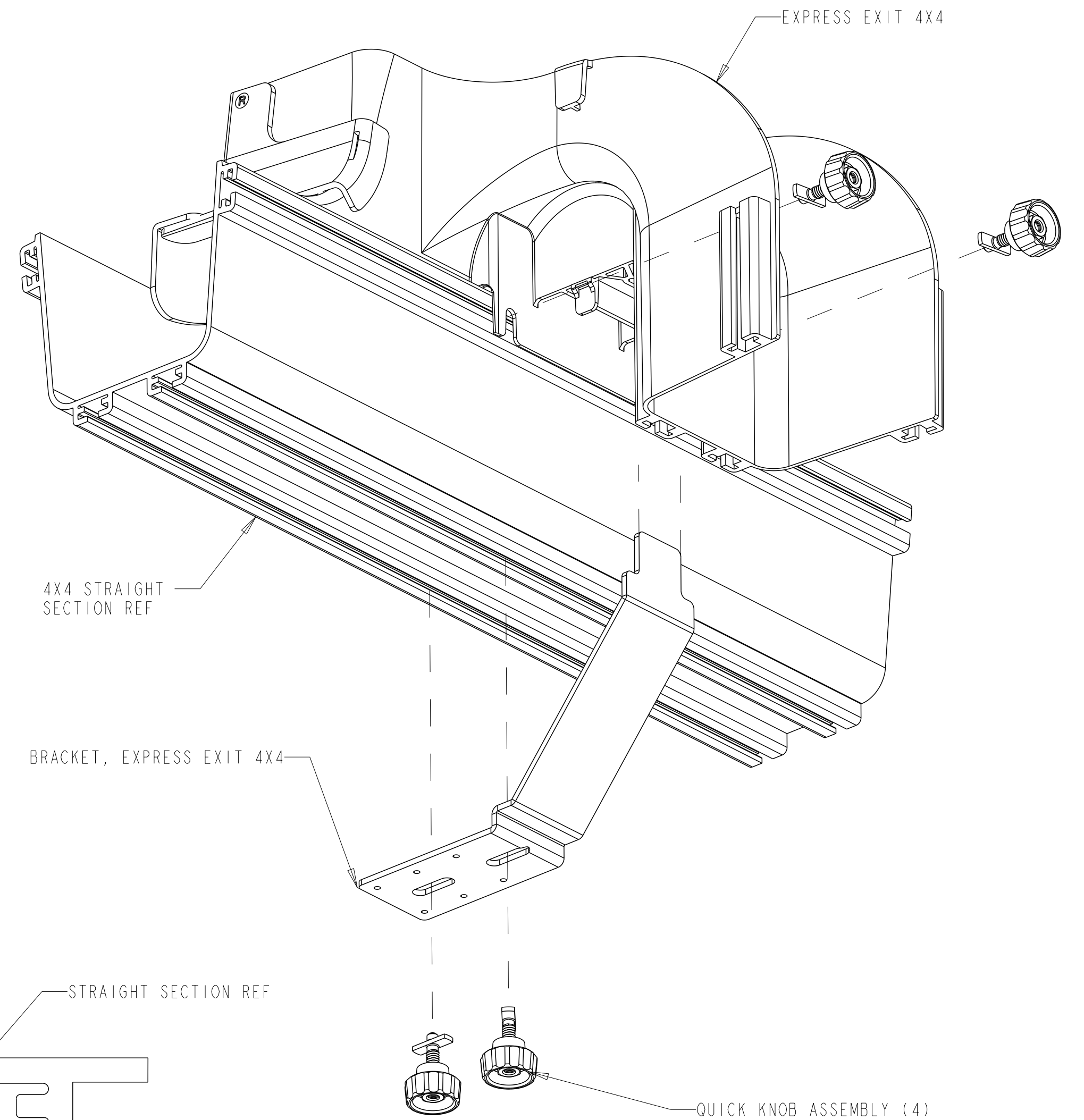
COMMSCOPE, INC.			
DRAFTER GILBERTO VILLA		TITLE KIT, BRACKET, RESTRAINING, L/R, FGS	
ENGINEER RUBEN ARVILLA		SIZE A2	SCALE 1.000
		DOCUMENT NO. 1147583_ADC	
CUSTOMER DRAWING			REVISION N
			SHEET 2 OF 4



**EXPRESS EXIT 4X4
INSTALLATION**
4X6 STRAIGHT SECTION
SCALE 0.400

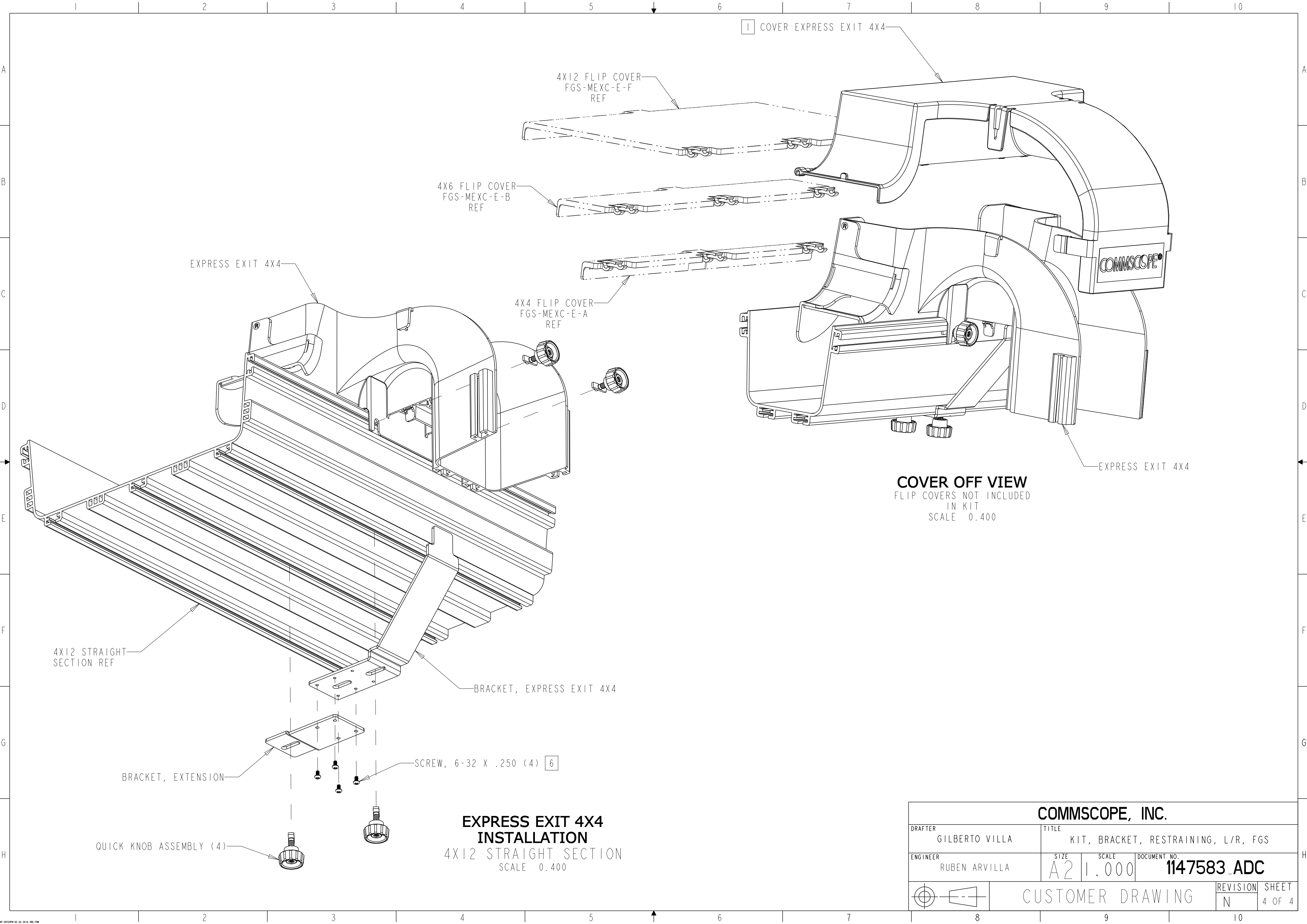


**QUICK KNOB
INSTALLATION VIEW**
SCALE 1.900



**EXPRESS EXIT 4X4
INSTALLATION**
4X4 STRAIGHT SECTION
SCALE 0.500

COMMSCOPE, INC.			
DRAFTER GILBERTO VILLA		TITLE KIT, BRACKET, RESTRAINING, L/R, FGS	
ENGINEER RUBEN ARVILLA	SIZE A2	SCALE 1.000	DOCUMENT NO. 1147583_ADC
CUSTOMER DRAWING			REVISION N
			SHEET 3 OF 4



COVER OFF VIEW
 FLIP COVERS NOT INCLUDED
 IN KIT
 SCALE 0.400

**EXPRESS EXIT 4X4
 INSTALLATION**
 4X12 STRAIGHT SECTION
 SCALE 0.400

COMMSCOPE, INC.			
DRAFTER GILBERTO VILLA		TITLE KIT, BRACKET, RESTRAINING, L/R, FGS	
ENGINEER RUBEN ARVILLA		SIZE A2	SCALE 1.000
		DOCUMENT NO. 1147583_ADC	
CUSTOMER DRAWING			REVISION N
			SHEET 4 OF 4