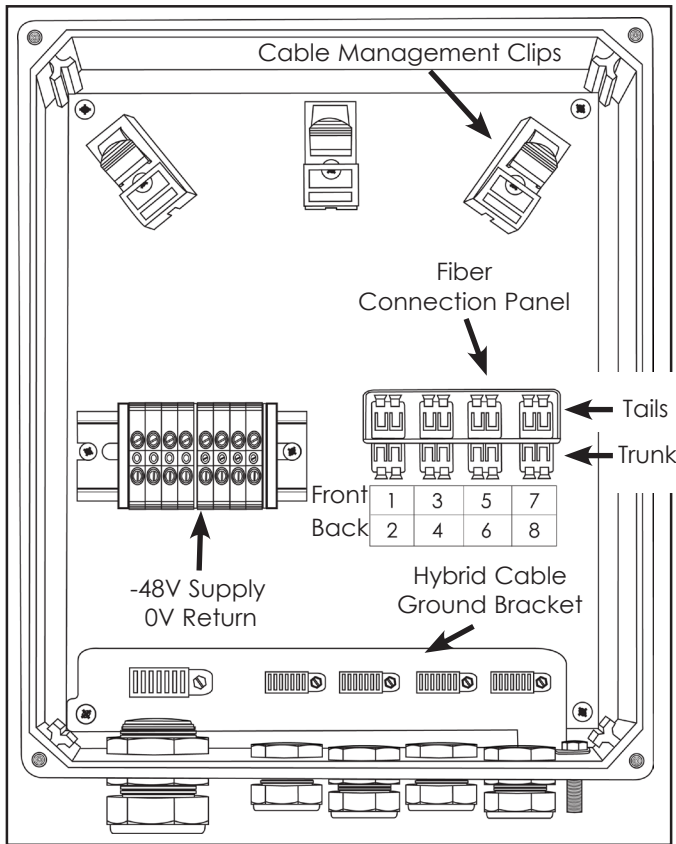
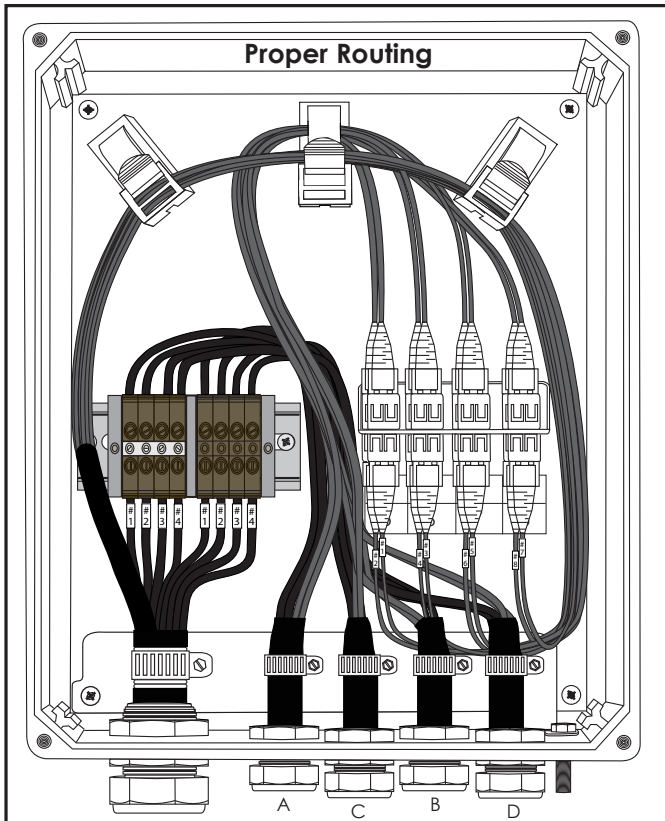
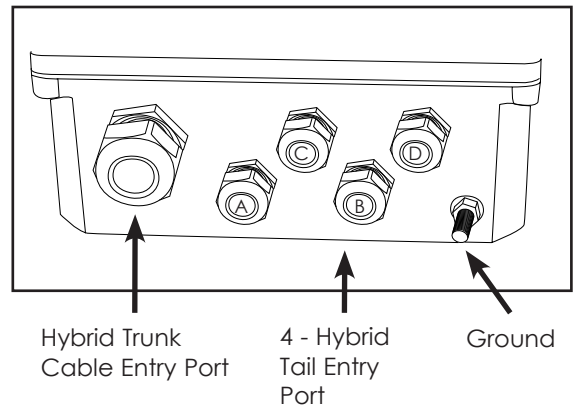


Fiber Enclosure Assembly with Internal Grounding Bracket



- Hinged Cover
- Lockable Latches
- Four position Fiber Terminal Strip
- Eight position Power Terminals to each polarity
- One Main Hybrid Feed Thru's; Four Hybrid Jumper Feed Thru's
- Hybrid Cable ground bracket



**Note:**

- must use an additional nut for attaching a lugged grounding wire
- tighten glands to full closure on tails



**When assembly is completed  
tighten lid screws (qty 4)  
(0.6 N•m – 5 lb-in)**

**⚠ See Wiring Connection Guide  
Gland torque spec 5 N•m (44.2 lb-in)**

## Pipe Mounting Kit:

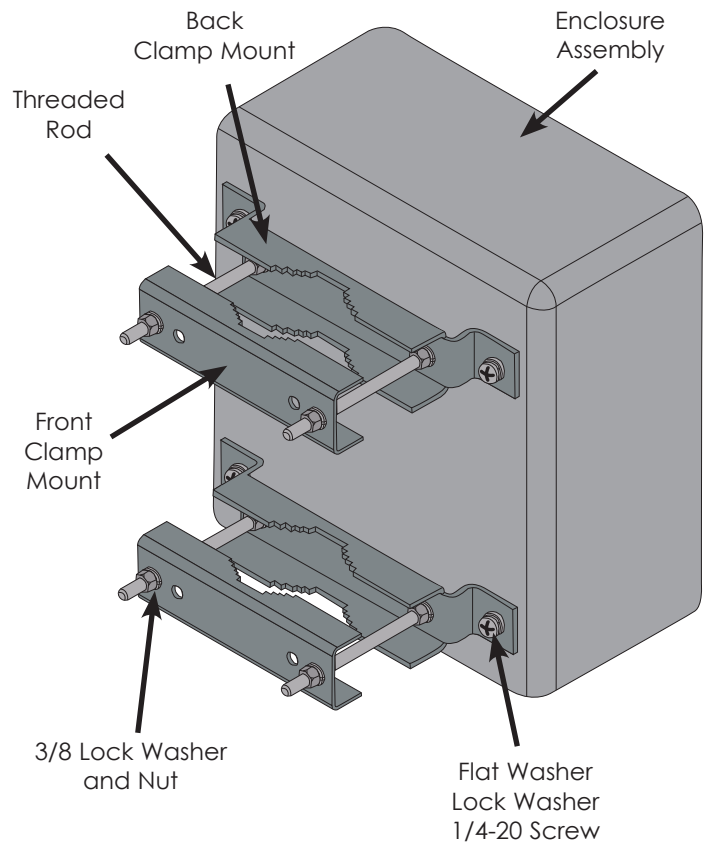
### 44mm – 114mm OD (1.75" – 4.5" OD)

Included are the following:

- 2 - Back Clamp Mount
- 2 - Front Clamp Mount
- 4 - 3/8" X 7" SS Threaded Rod
- 8 - 3/8" SS Lock Washer
- 12 - 3/8" SS Nut
- 4 - 1/4-20 Screw
- 4 - 1/4" SS Lock Washer
- 4 - 1/4" SS Flat Washer

Insert All Thread Rod into the Back Clamp Mount and attach from both sides with Lock Washer then tighten with 3/8" nut (4 locations). Attach Back Clamp Mount to the Enclosure Assembly by placing it over the mounting feet bosses and secure with Flat Washer, Lock Washer and 1/4 - 20 Screw (4 locations - max torque 2.26 N•m – 20 lb-in).

Place Front Clamp Mount around the pipe and secure with 3/8" Nut and Lock Washer. Tighten securely (4 locations).

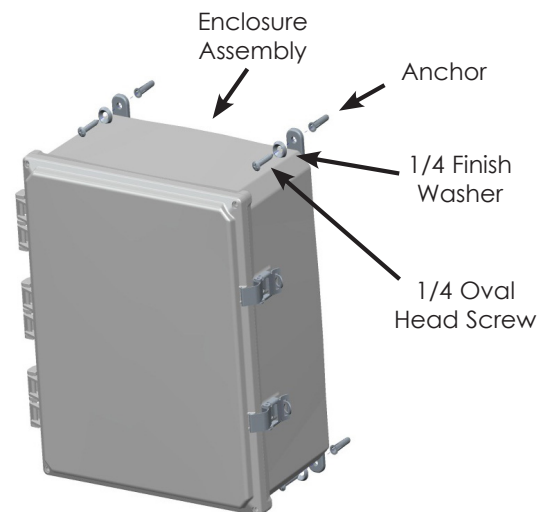


## Wall Mounting Kit:

Included are the following:

- 1 - WALL ANCHOR KIT

Drill the appropriate hole in the wall or structure you wish to mount to. Insert the Anchor into the hole and place Enclosure Assembly against the wall. Secure the Enclosure Assembly with the Finish Washer and Oval Head Screw as shown.



### ANDREW an Amphenol company

2601 Telecom Parkway, Richardson, Texas, 75082, USA  
www.andrew.com

Notice: ANDREW disclaims any liability or responsibility for the results of improper or unsafe installation, inspection, maintenance, or removal practices.  
 Aviso: ANDREW no acepta ninguna obligación ni responsabilidad como resultado de prácticas incorrectas o peligrosas de instalación, inspección, mantenimiento o retiro.  
 Avis: ANDREW décline toute responsabilité pour les conséquences de procédures d'installation, d'inspection, d'entretien ou de retrait incorrectes ou dangereuses.  
 Hinweis: ANDREW lehnt jede Haftung oder Verantwortung für Schäden ab, die aufgrund unsachgemäßer Installation, Überprüfung, Wartung oder Demontage auftreten.  
 Atenção: A ANDREW abdica do direito de toda responsabilidade pelos resultados de práticas inadequadas e sem segurança de instalação, inspeção, manutenção ou remoção.  
 Avvertenza: ANDREW declina eventuali responsabilità derivanti dall'esecuzione di procedure di installazione, ispezione, manutenzione e smontaggio improprie o poco sicure.  
 注意: ANDREW 公司申明對於不恰當或不安全的安裝、檢驗、維修或拆卸操作所導致的後果不負責任 何義務和責任

### Technical Support

+1 888 297 6433, Option 3 (Toll Free US and Canada)  
awpnarsupport@andrew.com

©2025 ANDREW, an Amphenol company. All rights reserved. Amphenol and ANDREW are registered trademarks of Amphenol and/or its affiliates in the U.S. and other countries. All product names, trademarks and registered trademarks are property of their respective owners.