

PFC-302016



Powered Fiber Cable, OM3, 2 Fibers, Outdoor, 16AWG Conductor, meter, feet

- Easy peel, stranded conductors for maximum cable flexibility and rapid access
- Polarization indentation along one side of the cable for polarity identification
- No special tools or mounting hardware required - usage of a standard "FTTH" pressure clamp for aerial installation
- Easy split of cable into three separate sections for separate routing in closures, as needed for installation
- Polyethylene jacket for outdoor duct or direct buried applications

Product Classification

Regional Availability	Asia Australia/New Zealand EMEA Latin America North America
Product Type	Hybrid cable, fiber and power
Ordering Note	Minimum order quantity is 500 meter

General Specifications

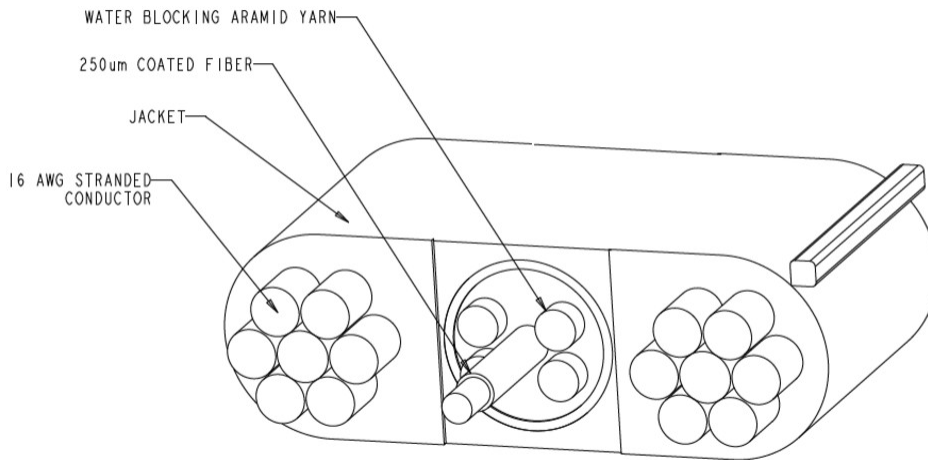
Cable Type	Stranded outdoor
Fiber Short Description	PFC-016
Jacket Color	Black
Total Fiber Count	2

Dimensions

Height Over Jacket	4.318 mm 0.17 in
Width Over Jacket	11.43 mm 0.45 in
Conductor Gauge	16 AWG

Outline Drawing

PFC-302016



Mechanical Specifications

Minimum Bend Radius, loaded	50.8 mm 2 in
Minimum Bend Radius, unloaded	30.48 mm 1.2 in
Tensile Load, long term, maximum	133.447 N 30 lbf
Tensile Load, short term, maximum	440.374 N 99 lbf
Vertical Rise, maximum	122.011 m 400.3 ft

Optical Specifications

Fiber Type	OM3, bend insensitive
-------------------	-----------------------

Environmental Specifications

Installation temperature	-10 °C to +60 °C (+14 °F to +140 °F)
Operating Temperature	-40 °C to +70 °C (-40 °F to +158 °F)
Storage Temperature	-40 °C to +70 °C (-40 °F to +158 °F)
Cable Qualification Standards	Telcordia GR-20-CORE Issue 4
Environmental Space	Outdoor
Jacket UV Resistance	UV stabilized

Packaging and Weights

Cable weight	69.944 kg/km 47 lb/kft
---------------------	--------------------------

PFC-302016

Regulatory Compliance/Certifications

Agency	Classification
CHINA-ROHS	Below maximum concentration value
REACH-SVHC	Compliant as per SVHC revision on www.commscope.com/ProductCompliance
ROHS	Compliant
UK-ROHS	Compliant



Included Products

- CS-5E-PFC – 50µm OM3 Bend-Insensitive Multimode Fiber

CS-5E-PFC

50µm OM3 Bend-Insensitive Multimode Fiber

Product Classification

Portfolio	CommScope®
Product Type	Optical fiber

General Specifications

Cladding Diameter	125 µm
Cladding Diameter Tolerance	±0.8 µm
Cladding Non-Circularity, maximum	0.7 %
Coating Diameter (Colored)	242 µm
Coating Diameter Tolerance (Colored)	±7 µm
Coating/Cladding Concentricity Error, maximum	10 µm
Core Diameter	50 µm
Core Diameter Tolerance	±2.5 µm
Core/Clad Offset, maximum	1 µm
Proof Test	689.476 N/mm ² 100000 psi

Mechanical Specifications

Macrobending, 15 mm Ø mandrel, 2 turns	0.20 dB @ 850 nm 0.50 dB @ 1,300 nm
Macrobending, 30 mm Ø mandrel, 2 turns	0.10 dB @ 850 nm 0.30 dB @ 1,300 nm
Coating Strip Force, maximum	8.9 N 2.001 lbf
Coating Strip Force, minimum	1.3 N 0.292 lbf
Dynamic Fatigue Parameter, minimum	25

Optical Specifications

Numerical Aperture	0.2
Numerical Aperture Tolerance	±0.015
Point Defects, maximum	0.2 dB
Zero Dispersion Slope, maximum	0.105 ps/[km-nm-nm]
Zero Dispersion Wavelength, maximum	1340 nm
Zero Dispersion Wavelength, minimum	1295 nm

CS-5E-PFC

Optical Specifications, Wavelength Specific

Attenuation, maximum	1.20 dB/km @ 1,300 nm 3.00 dB/km @ 850 nm
Backscatter Coefficient	-68.0 dB @ 850 nm -75.7 dB @ 1,300 nm
Bandwidth, Laser, minimum	2,000 MHz-km @ 850 nm 500 MHz-km @ 1,300 nm
Bandwidth, OFL, minimum	1,500 MHz-km @ 850 nm 500 MHz-km @ 1,300 nm
Differential Mode Delay Note	Superior to ANSI/TIA TIA-492AAAF and IEC 60793-2-10 at 850 nm
Index of Refraction	1.477 @ 1,300 nm 1.482 @ 850 nm
Standards Compliance	ANSI/TIA-492AAAF (OM3)

Environmental Specifications

Heat Aging, maximum	0.10 dB/km @ 85 °C
Temperature Dependence, maximum	0.1 dB/km
Temperature Humidity Cycling, maximum	0.1 dB/km
Water Immersion, maximum	0.10 dB/km @ 23 °C

Regulatory Compliance/Certifications

Agency	Classification
ISO 9001:2015	Designed, manufactured and/or distributed under this quality management system

* Footnotes

Temperature Dependence, maximum	Temperature dependence is conducted at -60 °C to +85 °C (-76 °F to +185 °F)
Temperature Humidity Cycling, maximum	Temperature humidity cycling is conducted at -10 °C to +85 °C (+14 °F to +185 °F) up to 95% relative humidity