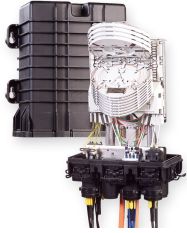


CJ9790-000 | FIST-GC02-FC6-GV



FIST® GC02 Fiber Optic Splice Closure, Heat Shrink or Gold Gel Cable sealing, size FC, no pre-installed fiber trays, 6 round ports + 1 oval port, with test valve and grounding option

- Single-ended, O-ring sealed dome closure for splicing feeder and distribution cables
- Compatible with most common cable types: e.g. loose tube, central core, ribbon fiber
- Universal mounting system (UMS) profiles provide foundation for mounting combinations of FIST splice trays
- Closure can be used in aerial, pedestal and underground (up to 5 meters) environments
- Compatible with CommScope's CWDM modules and optical splitter trays

Product Classification

Regional Availability	EMEA
Product Type	Single-ended, rectangular fiber closure
Product Brand	FIST®
Product Series	FIST-GC02

General Specifications

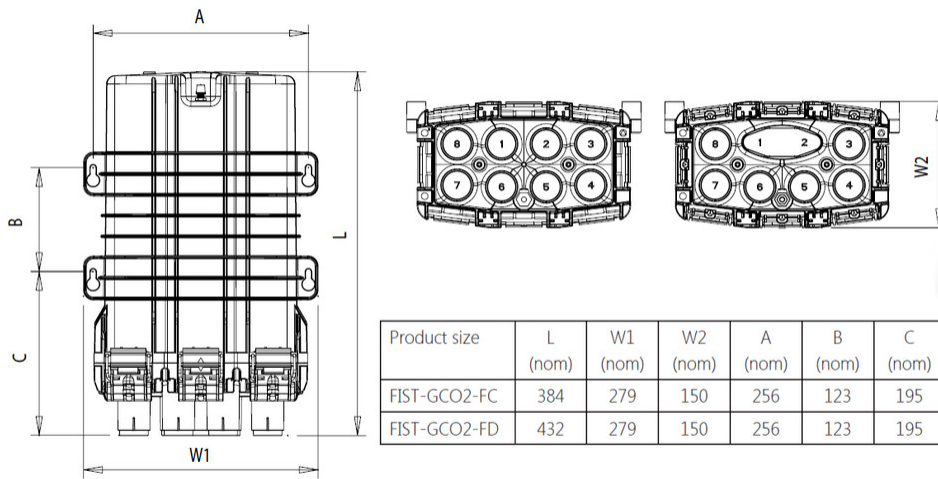
Cable Entry Drop Port Style	Round
Cable Entry Main Port Style	Oval
Cable Ports Quantity, total	1 oval port (2 cables) + 6 round ports
Cable Sealing Type	Gel kit (optional) Heat shrink
Closure Sealing Type	Base and dome sealed with latches and O-ring system
Closure Style	Single-ended
Color	Black
Flash Test Valve	Pre-installed
Ground Feed-through	Included
Mounting	Pole Strand Wall
Network Area Type	Distribution
Splice Tray Included, quantity	0
Splice Tray Type Included	No trays
Splicing Capacity, Mass Fusion, maximum	288
Splicing Capacity, Single Fusion, maximum	384
Splicing Type, Supported	Mass fusion Single fusion

CJ9790-000 | FIST-GCO2-FC6-GV

Dimensions

Height	279 mm 10.984 in
Width	150 mm 5.906 in
Length	384 mm 15.118 in
Cable Entry Drop Port Diameter	30 mm (1.18 in) mm
Main Cable Diameter, maximum	25 mm 0.984 in

Dimension Drawing

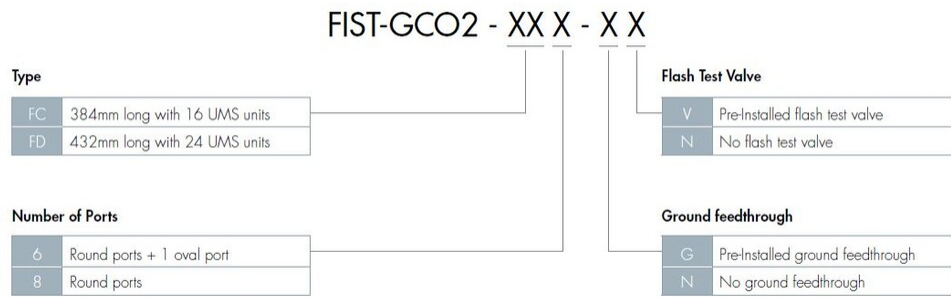


Splicing Configuration

	FC	FD
UMS Units	16	24
# SC/SLE 4mm trays		16
# SE 8mm trays		8
# SHD 4mm trays		16
# R12 12mm FLAT ribbon trays		5
Max. Single splice capacity SC trays (4F/SC)		64
Max. Single splice capacity high dense trays (12F/SLE)		192
Max. Single splice capacity SE trays (12F/SE)		96
Max. Single splice capacity Super high dense trays (24F/SHD)		384
Max. mass splice capacity R12 trays (FLAT ribbon)		120
Max. mass splice capacity SE trays (Rollable ribbon G657A2 fiber)		288

Ordering Tree

CJ9790-000 | FIST-GCO2-FC6-GV



Material Specifications

Material Type Impact-resistant polymer

Environmental Specifications

Environmental Space Below ground | Buried
Qualification Standards IEC 61300, 5 m waterhead
Water Resistance Flash test valve at 5 psi (40 kPa)

Packaging and Weights

Packaging quantity 1
Packaging Type Box | Carton
Weight, net 3.3 kg | 7.275 lb

Regulatory Compliance/Certifications

Agency	Classification
CHINA-ROHS	Below maximum concentration value
ISO 9001:2015	Designed, manufactured and/or distributed under this quality management system
REACH-SVHC	Compliant as per SVHC revision on www.commscope.com/ProductCompliance
ROHS	Compliant
UK-ROHS	Compliant

