

CY9076-000 | BUDI-2S-SP-12CS



BUDI™ Fiber Optic Wall mount Enclosure, single circuit FIST splice trays for 12 SMOUV splices

- Compact, wall mountable fiber enclosures for indoor and outdoor use
- Specifically designed for fast FTTH deployment and easy customer connection
- Available with splicing (FIST) and/or patching and/or splitter combinations
- Multiple and modular wrap around cable port sealing options

Product Classification

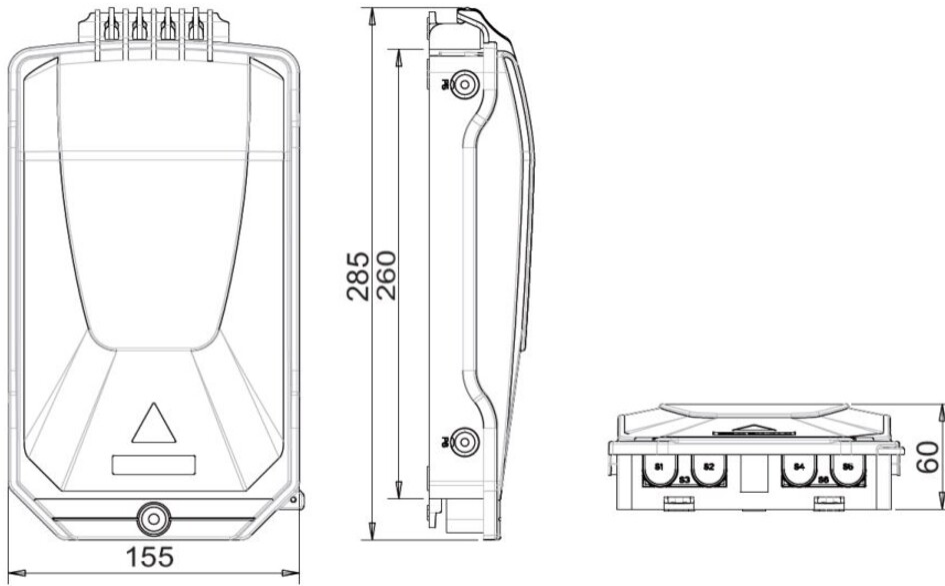
Regional Availability	EMEA
Portfolio	CommScope®
Product Type	Fiber wall box
Product Brand	BUDI™
Product Series	BUDI-2S

General Specifications

Functionality	Splicing
Access	Front
Enclosure Color	Gray
Front Cover Type	Snap-on cover
Interface	Splicing only
Mounting	Wall
Splice Tray Construction	SC (Single circuit)
Splicing Capacity, maximum	12

Dimension Drawing

CY9076-000 | BUDI-2S-SP-12CS



Material Specifications

Enclosure Material Type LSZH thermoplastic

Environmental Specifications

Environmental Space Indoor/Outdoor

Qualification Standards IEC 60529, IP54 | IEC 61753-1, category G

Packaging and Weights

Packaging quantity 1

Packaging Type Box | Carton

Regulatory Compliance/Certifications

Agency	Classification
CHINA-ROHS	Above maximum concentration value
ROHS	Compliant/Exempted
UK-ROHS	Compliant/Exempted

