

FL1-H38888N2-1210N



FL1000 Fiber Wall Box, 2-door, singlemode LC/UPC, 48-ports, with pigtails and splice tray, 1 cable clamp, 2 compression fittings, 1 grounding kit

- Ideal for small to medium fiber counts within communication rooms or closets at customer sites
- Provides demarcation access for the telecom carrier and the end-user by way of separate compartments
- Guarantees mechanical protection and fiber management for indoor and outdoor cable
- Fully customizable for patch-patch, splice-patch or for the storage of un-terminated (dark) fibers

Product Classification

Regional Availability	North America
Product Type	Fiber wall box
Product Series	FL1000

General Specifications

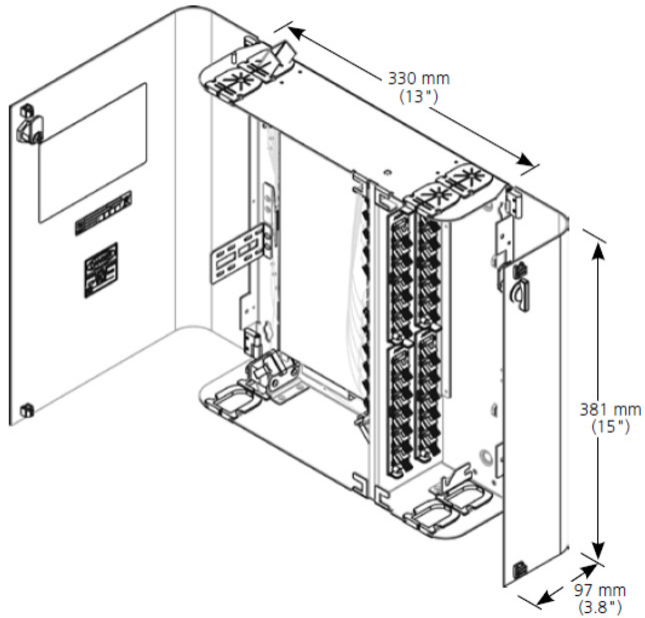
Application	Patching Splicing
Adapter Packs Included, quantity	4
Adapters, quantity	48
Cable Clamps, quantity	1
Cable Compression Fittings, quantity	2
Cable Entry Location	Bottom left Bottom right Top left Top right
Cable Type	Pigtails - Stranded
Color	Putty white
Door, quantity	2
Front Door Type	Single hinged
Growth Configuration	Fully loaded
Interface	LC/UPC
Mounting	Wall
Splicing Type	Heat shrink, mass fusion
Total Fibers, quantity	48
Total Ports, quantity	48

Dimensions

FL1-H38888N2-1210N

Height	590 mm 23.228 in
Width	551 mm 21.693 in
Depth	156.97 mm 6.18 in

Outline Drawing



Material Specifications

Finish	Powder coated
Material Type	Steel

Optical Specifications

Fiber Mode	Singlemode
-------------------	------------

Environmental Specifications

Environmental Space	Indoor
Qualification Standards	NEMA type 12

Packaging and Weights

Included	One grounding kit
Packaging quantity	1

FL1-H38888N2-1210N

Packaging Type

Bag | Carton