

FL1-H4888NNN-1211C



FL1000 Fiber Wall Box, 2-door, singlemode LC/UPC, 48-ports, adapters only, 1 cable clamp, 2 compression fittings, 1 grounding kit, 1 strength member tie-off, 1 key lock

- Ideal for small to medium fiber counts within communication rooms or closets at customer sites
- Provides demarcation access for the telecom carrier and the end-user by way of separate compartments
- Guarantees mechanical protection and fiber management for indoor and outdoor cable
- Fully customizable for patch-patch, splice-patch or for the storage of un-terminated (dark) fibers

Product Classification

Regional Availability	North America
Product Type	Fiber wall box
Product Series	FL1000

General Specifications

Application	Patching Splicing
Adapter Packs Included, quantity	4
Adapters, quantity	24
Cable Clamps, quantity	1
Cable Compression Fittings, quantity	2
Cable Entry Location	Bottom left Bottom right Top left Top right
Color	Putty white
Door, quantity	2
Front Door Type	Single hinged
Growth Configuration	Fully loaded
Interface	LC/UPC
Lock Type	Key lock, type A Key lock, type B
Mounting	Wall
Total Ports, quantity	48

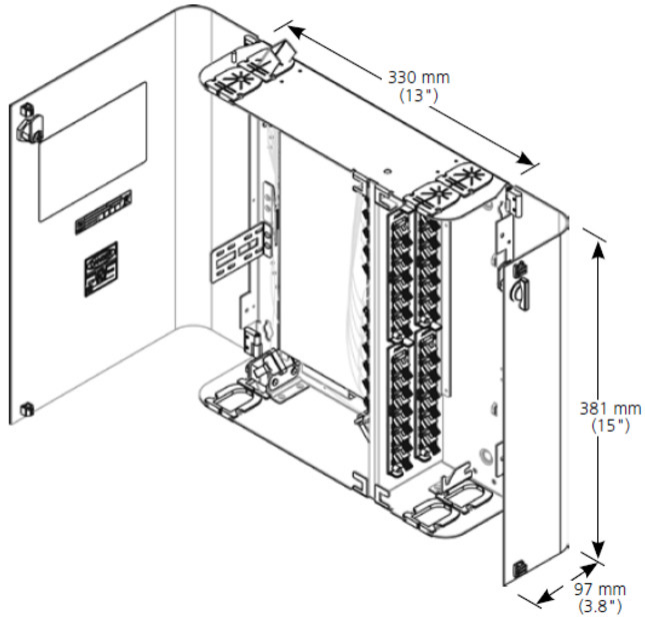
Dimensions

Height	590 mm 23.228 in
Width	551 mm 21.693 in

FL1-H4888NNN-1211C

Depth 156.97 mm | 6.18 in

Outline Drawing



Material Specifications

Finish Powder coated

Material Type Steel

Optical Specifications

Fiber Mode Singlemode

Environmental Specifications

Environmental Space Indoor

Qualification Standards NEMA type 12

Packaging and Weights

Included One grounding kit | One tie-off adapter

Packaging quantity 1

Packaging Type Bag | Carton

FL1-H4888NNN-1211C

Regulatory Compliance/Certifications

Agency**Classification**

CHINA-ROHS

Above maximum concentration value

REACH-SVHC

Compliant as per SVHC revision on www.commscope.com/ProductCompliance

ROHS

Compliant/Exempted

UK-ROHS

Compliant/Exempted

