

# FL1-J3777772-1001N

---



FL1000 Fiber Wall Box, 2-door, singlemode SC/UPC, 48-ports, with pigtailed and splice tray, 1 cable clamp, 1 strength member tie-off

- Ideal for small to medium fiber counts within communication rooms or closets at customer sites
- Provides demarcation access for the telecom carrier and the end-user by way of separate compartments
- Guarantees mechanical protection and fiber management for indoor and outdoor cable
- Fully customizable for patch-patch, splice-patch or for the storage of un-terminated (dark) fibers

## Product Classification

<b>Regional Availability</b>	North America
<b>Product Type</b>	Fiber wall box
<b>Product Series</b>	FL1000

## General Specifications

<b>Application</b>	Patching   Splicing
<b>Adapter Packs Included, quantity</b>	8
<b>Adapters, quantity</b>	48
<b>Cable Clamps, quantity</b>	1
<b>Cable Entry Location</b>	Bottom left   Bottom right   Top left   Top right
<b>Cable Type</b>	Pigtails - Stranded
<b>Color</b>	Putty white
<b>Door, quantity</b>	2
<b>Front Door Type</b>	Single hinged
<b>Growth Configuration</b>	Fully loaded
<b>Interface</b>	SC/UPC
<b>Mounting</b>	Wall
<b>Splicing Type</b>	Heat shrink, mass fusion
<b>Total Fibers, quantity</b>	48
<b>Total Ports, quantity</b>	48

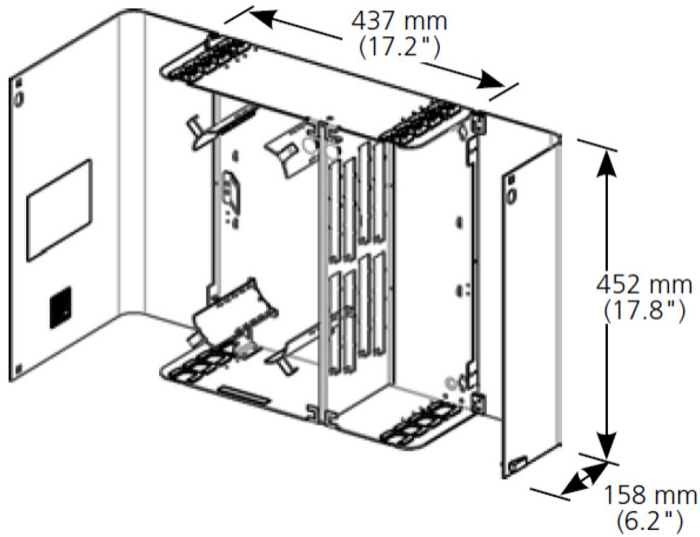
## Dimensions

<b>Height</b>	708 mm   27.874 in
<b>Width</b>	669 mm   26.339 in

# FL1-J3777772-1001N

**Depth** 235.97 mm | 9.29 in

## Outline Drawing



## Material Specifications

**Finish** Powder coated  
**Material Type** Steel

## Optical Specifications

**Fiber Mode** Singlemode

## Environmental Specifications

**Environmental Space** Indoor  
**Qualification Standards** NEMA type 12

## Packaging and Weights

**Included** One tie-off adapter  
**Packaging quantity** 1  
**Packaging Type** Bag | Carton

# FL1-J3777772-1001N

---

## Regulatory Compliance/Certifications

<b>Agency</b>	<b>Classification</b>
CHINA-ROHS	Above maximum concentration value
REACH-SVHC	Compliant as per SVHC revision on <a href="http://www.commscope.com/ProductCompliance">www.commscope.com/ProductCompliance</a>
ROHS	Compliant/Exempted
UK-ROHS	Compliant/Exempted

