

# MST-08MH00-A0100A



MST, Fiber Optic Multiport Service Terminal, 8-port, long 2xN port, dielectric flat loose tube cable stub, unterminated, reverse spool, 100 ft

- Hardened connectors are factory-terminated and environmentally sealed for use in optical drop cable deployments
- Plug and play adapter ports ensure rapid cable installment in the outside plant access section of the network
- Multiport Service Terminals incorporate hardened connector technology that is designed to withstand the rugged outside plant environment

## Product Classification

|                              |                                       |
|------------------------------|---------------------------------------|
| <b>Regional Availability</b> | Asia   Latin America   North America  |
| <b>Product Type</b>          | Access terminal, without splitter/tap |
| <b>Product Series</b>        | MST                                   |

## General Specifications

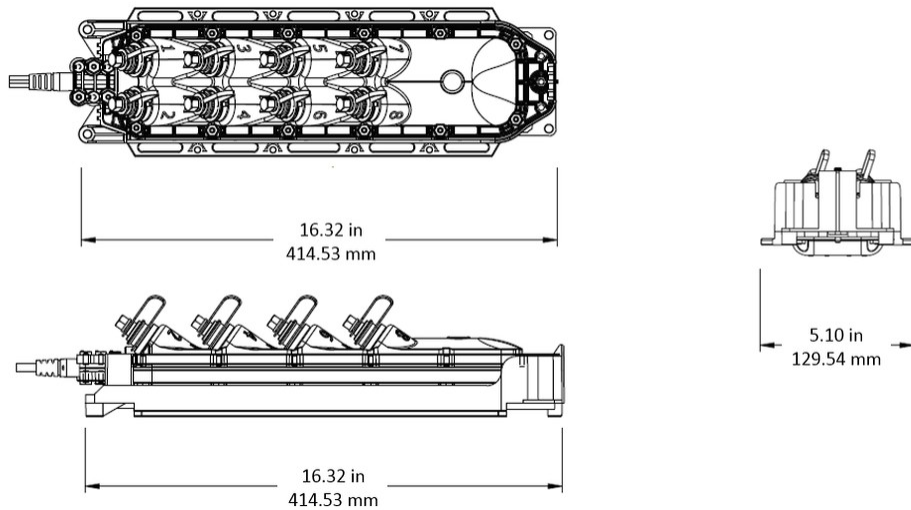
|                           |                                     |
|---------------------------|-------------------------------------|
| <b>Cable Type</b>         | Dielectric - Flat - Loose Tube      |
| <b>Cable, quantity</b>    | 1                                   |
| <b>Distribution Type</b>  | 8 ports                             |
| <b>Enclosure Color</b>    | Black                               |
| <b>Mounting</b>           | Handhole   Pedestal   Pole   Strand |
| <b>Port Type</b>          | Hardened full-size SC/APC           |
| <b>Port, quantity</b>     | 8                                   |
| <b>Splitter, quantity</b> | 0                                   |
| <b>Stub Type</b>          | Stub tail                           |

## Dimensions

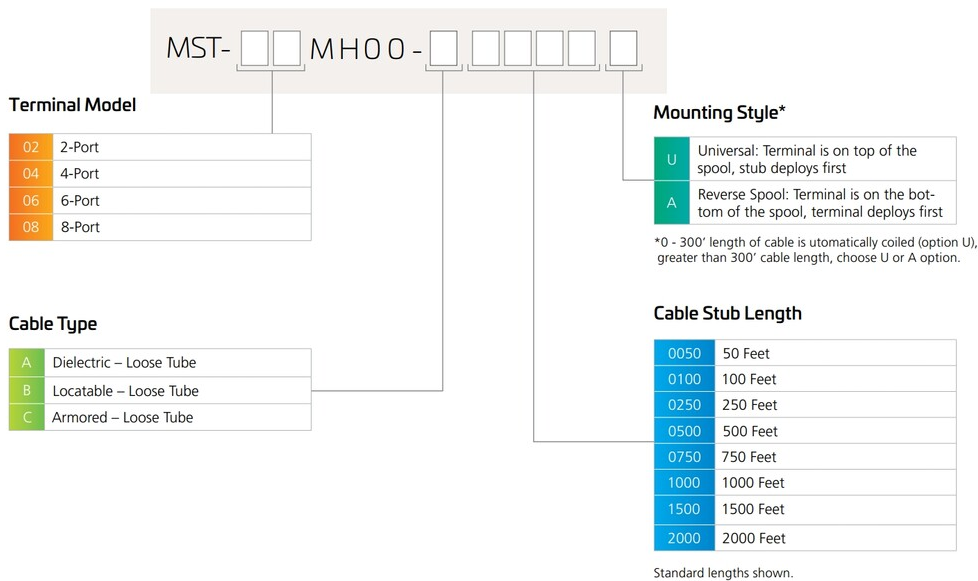
|                             |                               |
|-----------------------------|-------------------------------|
| <b>Height</b>               | 414.5 mm   16.319 in          |
| <b>Width</b>                | 129.5 mm   5.098 in           |
| <b>Depth</b>                | 84.1 mm   3.311 in            |
| <b>Cable Length, stub</b>   | 100 ft (30 m)                 |
| <b>Cable Outer Diameter</b> | 4.5 x 8.1 mm (0.18 x 0.32 in) |

## Dimension Drawing

# MST-08MH00-A0100A



## Ordering Tree



## Material Specifications

**Enclosure Material Type**

Gasketed hardened plastic

## Optical Specifications

**Fiber Type**

G.657.A1/A2

**Operating Wavelength Range**

1260 – 1635 nm

# MST-08MH00-A0100A

|                                                    |                                             |
|----------------------------------------------------|---------------------------------------------|
| <b>Attenuation Cable Coefficient, maximum</b>      | 0.30 dB/km @ 1550 nm   0.40 dB/km @ 1310 nm |
| <b>Attenuation Terminal Connectors, maximum</b>    | 0.4 dB                                      |
| <b>Directivity, minimum</b>                        | 60 dB                                       |
| <b>Insertion Loss, Terminal Connector, typical</b> | 0.16 dB                                     |
| <b>Return Loss, Connector, minimum</b>             | 65 dB                                       |

## Environmental Specifications

|                                |                                                                                                          |
|--------------------------------|----------------------------------------------------------------------------------------------------------|
| <b>Operating Temperature</b>   | -40 °C to +70 °C (-40 °F to +158 °F)                                                                     |
| <b>Relative Humidity</b>       | 5%–100%, condensing                                                                                      |
| <b>Environmental Space</b>     | Above ground   Below ground   Buried                                                                     |
| <b>Flammability Rating</b>     | UL 94 5VA                                                                                                |
| <b>Qualification Standards</b> | IEC 60529, IP68 + 2 m waterhead   Telcordia GR-3120-CORE   Telcordia GR-326-CORE   Telcordia GR-771-CORE |
| <b>UV Resistance</b>           | UV stabilized                                                                                            |

## Packaging and Weights

|                              |                                                |
|------------------------------|------------------------------------------------|
| <b>Included</b>              | Enclosure (1)   Universal mounting bracket (1) |
| <b>Packaging quantity</b>    | 1                                              |
| <b>Packaging Type</b>        | Box   Carton                                   |
| <b>Weight, without cable</b> | 1.36 kg   2.998 lb                             |

## Regulatory Compliance/Certifications

| <b>Agency</b> | <b>Classification</b>                                                                                                          |
|---------------|--------------------------------------------------------------------------------------------------------------------------------|
| CHINA-ROHS    | Above maximum concentration value                                                                                              |
| ISO 9001:2015 | Designed, manufactured and/or distributed under this quality management system                                                 |
| REACH-SVHC    | Compliant as per SVHC revision on <a href="http://www.commscope.com/ProductCompliance">www.commscope.com/ProductCompliance</a> |
| ROHS          | Compliant/Exempted                                                                                                             |
| UK-ROHS       | Compliant/Exempted                                                                                                             |



## Included Products

|              |                                                              |
|--------------|--------------------------------------------------------------|
| MST-UMB-0608 | – DLX® MST, Fiber Optic Universal Mounting Bracket, 6/8 port |
|--------------|--------------------------------------------------------------|