



Mini-OTE 300-Series, Optical Terminal Enclosure, 8-port full-size connector, w/ integrated 1x8 splitter, black, w/ grounding, external mounting. Splitter outputs connected to terminal housing ports, maximum 26 splices, Build America Buy America (BABA)

- Hardened connectors are factory-terminated and environmentally sealed for use in optical drop cable deployments
- Plug and play adapter ports ensure rapid cable installment in the outside plant access section of the network
- Optical Terminal Enclosures incorporate hardened connector technology that is designed to withstand the rugged outside plant environment
- Accommodates CommScope’s field installable splitters and compact CWDMs
- \*Product complies with the Build America, Buy America Act (BABAA) requirements of the Infrastructure Investment and Jobs Act of 2021 (Pub. L. 117- 58, §§ 70901-70953), or is the subject of a waiver approved by the Secretary of Commerce or designee. Compliance requirements and waiver applicability vary based on government funding program. Check the laws and regulations for your specific program.

## Product Classification

<b>Regional Availability</b>	Asia   EMEA   Latin America   North America
<b>Product Type</b>	Access terminal, with splitter
<b>Product Series</b>	Mini-OTE 300
<b>Government Requirements</b>	Build America Buy America (BABA) compliant*

## General Specifications

<b>Application</b>	For central core tube ribbon shielded/unshielded fiber cable   For flat drop with/without trace wire fiber cable   For loose buffer tube standard (72 F) and micro (144 F) fiber cable   For round armored up to 0.50 in/12.7 mm diameter fiber cable
<b>Cable Type</b>	No cable (stubless)
<b>Cable, quantity</b>	0
<b>Distribution Type</b>	1 x 8 splitter
<b>Enclosure Color</b>	Black
<b>Location of Manufacturing</b>	Maple Grove, Minnesota
<b>Mounting</b>	Handhole   Pedestal   Pole   Strand
<b>Port Type</b>	Hardened full-size SC/APC
<b>Port, quantity</b>	8

260103823

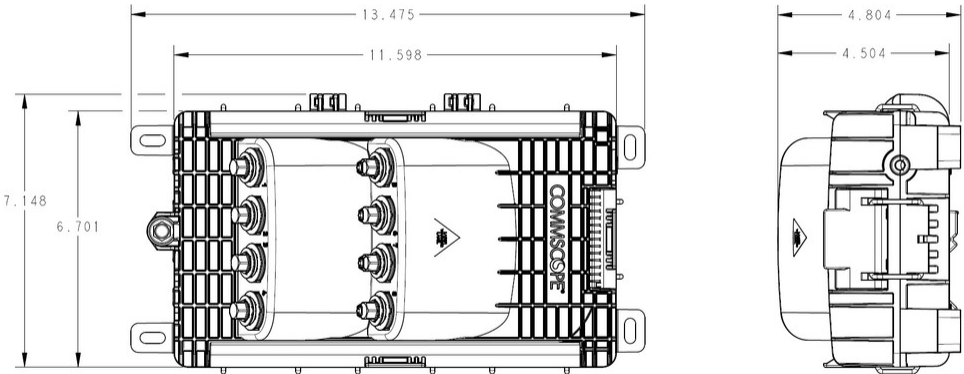
| OTE-08MH-18-EXTG03-U23

<b>Splitter, quantity</b>	1
<b>Stub Type</b>	No tail

Dimensions

<b>Height</b>	342.9 mm   13.5 in
<b>Width</b>	182.88 mm   7.2 in
<b>Depth</b>	121.92 mm   4.8 in
<b>Cable Length, stub</b>	0 ft (0 m)

Dimension Drawing



Ordering Tree



# 260103823 | OTE-08MH-18-EXTG03-U23

**Qualification Standards** IEC 60529, IP68 + 2 m waterhead | Telcordia GR-771-CORE, Issue 2

**UV Resistance** UV stabilized

## Packaging and Weights

**Included** Enclosure (1) | Gel-sealed input ports for butt applications (4) | Gel-sealed input ports for inline applications (1) | Integrated slack storage tray (1) | Integrated splice tray (2) | Optical splitter (1) | Pedestal mounting hardware (1)

**Packaging quantity** 1

**Packaging Type** Box | Carton

**Weight, without cable** 3.06 kg | 6.746 lb

## Regulatory Compliance/Certifications

Agency	Classification
CHINA-ROHS	Above maximum concentration value
ISO 9001:2015	Designed, manufactured and/or distributed under this quality management system
ROHS	Compliant/Exempted
UK-ROHS	Compliant/Exempted



## Included Products

760242289 – Mini-OTE 300-Series, Optical Terminal Pole Cable Retention  
OTE-M-CABLERET Kit