

# NDX-D1HEMOU-A1000F



Fiber Indexing Terminal, no Splitter, 1 Forward Port, 1 Reverse Port, 4x3 Port Design, Dielectric Loose Tube Cable, 1000 Feet

- Fiber Indexing terminals are access terminals using hardened connectivity technology that withstand the rugged outside plant environment
- Fiber Indexing terminals eliminate splicing and use 12-strand fiber cable in a daisy-chain topology, reducing the total required cable length by up to 70%
- Hardened adapters are factory-terminated and environmentally sealed to ensure rapid plug-and-play drop cable installations

## Alternative products available:

HXT-B3HAA1000FN000 NOVUX™ Hardened Indexing Terminal, 12 Fiber Index Only, No Splitter, 1F Full-size Adapter port, 1 Full-size Reverse port, Dielectric flat loose tube, 1000 ft/304 m HMFOC plug (female/no pin) tail

## Product Classification

|                              |   |
|------------------------------|---|
| <b>Regional Availability</b> | North America                                 |
| <b>Product Type</b>          | Access terminal, indexed without splitter/tap |
| <b>Product Series</b>        | NDX   |

## General Specifications

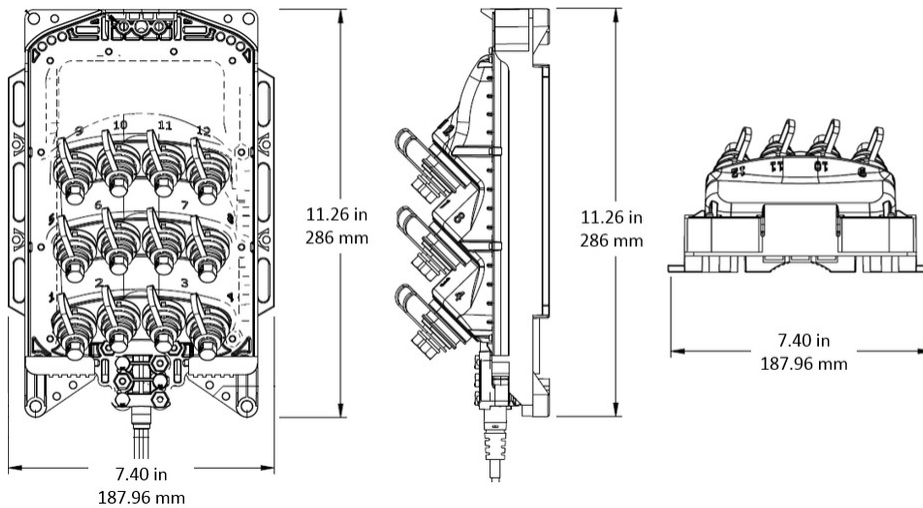
|                               |  |
|-------------------------------|--|
| <b>Cable Type</b>             | Dielectric - Flat - Loose Tube                 |
| <b>Cable, quantity</b>        | 1  |
| <b>Distribution Type</b>      | 1 port   |
| <b>Enclosure Color</b>        | Black  |
| <b>Forward Port Type</b>      | Hardened full-size SC/APC adapter              |
| <b>Forward Port, quantity</b> | 1  |
| <b>Mounting</b>               | Handhole   Pedestal   Pole                     |
| <b>Port Type</b>              | Hardened multi-fiber (HMFOC) jack, male/pinned |
| <b>Port, quantity</b>         | 1  |
| <b>Reverse Port Type</b>      | Hardened full-size SC/APC                      |
| <b>Reverse Port, quantity</b> | 1  |
| <b>Splitter, quantity</b>     | 0  |
| <b>Stub Type</b>              | Hardened multi-fiber (HMFOC) plug              |

# NDX-D1HEMOU-A1000F

## Dimensions

|                             |                               |
|-----------------------------|-------------------------------|
| <b>Height</b>               | 286 mm   11.26 in             |
| <b>Width</b>                | 187.3 mm   7.374 in           |
| <b>Depth</b>                | 95 mm   3.74 in               |
| <b>Cable Length, stub</b>   | 1000 ft (304 m)               |
| <b>Cable Outer Diameter</b> | 4.5 x 8.1 mm (0.18 x 0.32 in) |

## Dimension Drawing



## Ordering Tree

# NDX-D1HEMOU-A1000F



## Material Specifications

### Enclosure Material Type

Gasketed hardened plastic

## Optical Specifications

### Fiber Type

G.652.D

### Operating Wavelength Range

1260 – 1635 nm

### Attenuation Cable Coefficient, maximum

0.30 dB/km @ 1550 nm | 0.40 dB/km @ 1310 nm

### Attenuation Terminal Connectors, maximum

0.45 dB

### Directivity, minimum

60 dB

### Insertion Loss, Stub Connector, maximum

0.45 dB

### Insertion Loss, Stub Connector, typical

0.16 dB

### Insertion Loss, Terminal Connector, typical

0.16 dB

### Return Loss, Connector, minimum

65 dB

## Environmental Specifications

### Operating Temperature

-40 °C to +70 °C (-40 °F to +158 °F)

# NDX-D1HEMOU-A1000F

---

|                                |   |
|--------------------------------|---|
| <b>Relative Humidity</b>       | 5%–100%, condensing   |
| <b>Environmental Space</b>     | Above ground   Below ground   Buried  |
| <b>Flammability Rating</b>     | UL 94 5VA   |
| <b>Qualification Standards</b> | IEC 60529, IP68 + 2 m waterhead   NEMA, Type 6 + 10 ft waterhead   Telcordia GR-3120-CORE   Telcordia GR-326-CORE   Telcordia GR-771-CORE |
| <b>UV Resistance</b>           | UV stabilized   |

## Packaging and Weights

|                              |  |
|------------------------------|--|
| <b>Included</b>              | Enclosure (1)   Universal mounting bracket (1) |
| <b>Packaging quantity</b>    | 1  |
| <b>Packaging Type</b>        | Box   Carton                                   |
| <b>Weight, without cable</b> | 1.36 kg   2.998 lb                             |

## Regulatory Compliance/Certifications

| <b>Agency</b> | <b>Classification</b>  |
|---------------|--|
| CHINA-ROHS    | Below maximum concentration value  |
| ISO 9001:2015 | Designed, manufactured and/or distributed under this quality management system   |
| REACH-SVHC    | Compliant as per SVHC revision on <a href="http://www.commscope.com/ProductCompliance">www.commscope.com/ProductCompliance</a> |
| ROHS          | Compliant  |
| UK-ROHS       | Compliant  |



## Included Products

MST-UMB-4312 – Universal MST Mounting Bracket