

Fiber Optic Connector box, indoor, white, one SC/APC adapter



- designed for pre-terminated connectors or FIC in outdoor drop cable application
- accommodates industry standard SC adaptors in outdoor aerial ,wall-mounted or pole installation
- used for emergency repairs and maintenance, or urgent service turn-up requests
- supports figure-8 and 3mm drop cable, with option of 4.5mm-5mm outdoor drop cables

Product Classification

Regional Availability	Asia Australia/New Zealand EMEA Latin America North America
Product Type	Fiber adapter enclosure
Product Series	CB

General Specifications

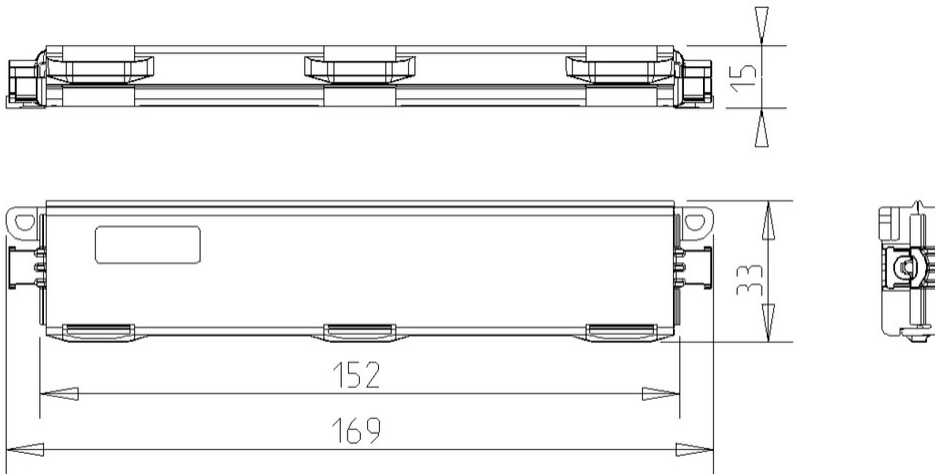
Access	Front
Adapters, quantity	1
Cable Sealing Type	Gel filled
Enclosure Color	White
Interface, Input	SC
Lock Type	Hinged with latches
Mounting	Wall
Port Color	Green
Port, quantity	1

Dimensions

Height	15 mm 0.591 in
Width	169 mm 6.654 in
Depth	33 mm 1.299 in

Dimension Drawing

EK5888-001 | CB-S2W1



Material Specifications

Enclosure Material Type Polypropylene plastic

Optical Specifications

Fiber Mode Singlemode

Environmental Specifications

Operating Temperature -40 °C to +65 °C (-40 °F to +149 °F)

Environmental Space Outdoor

Qualification Standards IEC 60529, IP54

Packaging and Weights

Packaging quantity 1

Packaging Type Box | Carton