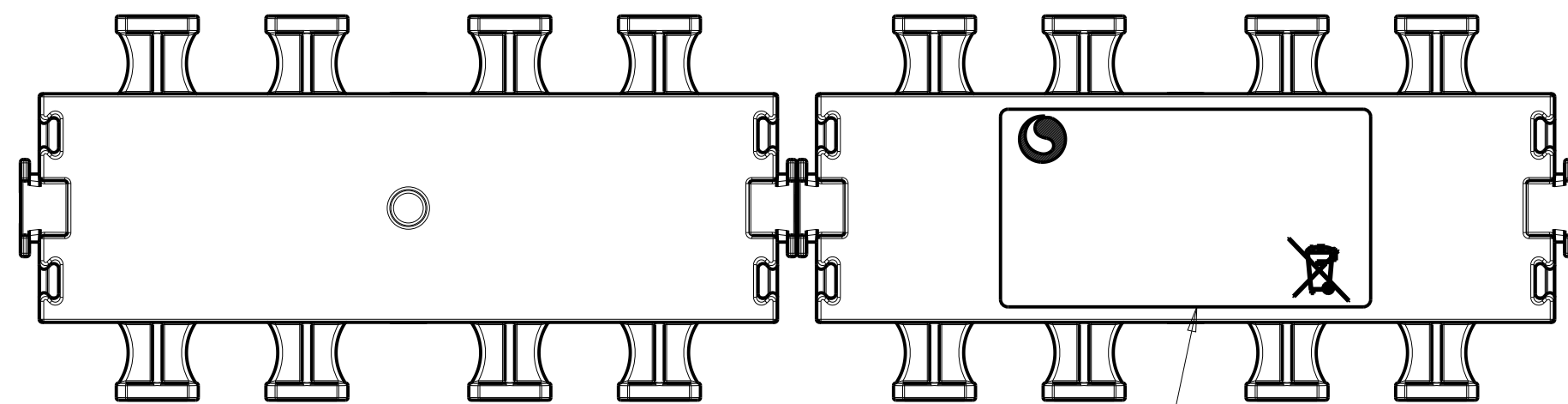
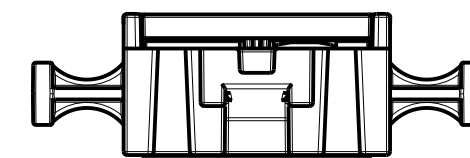
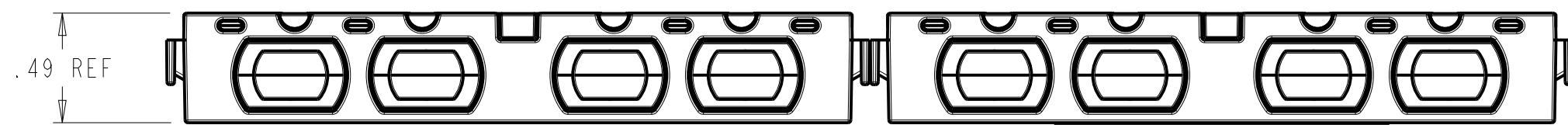
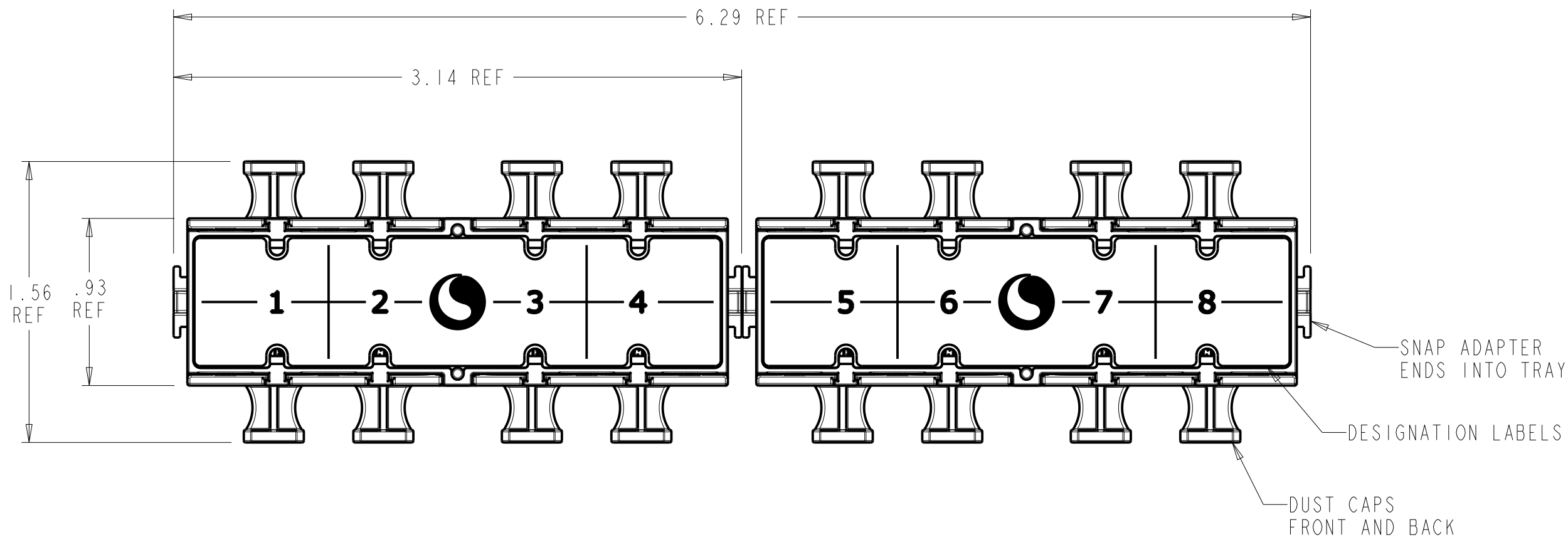
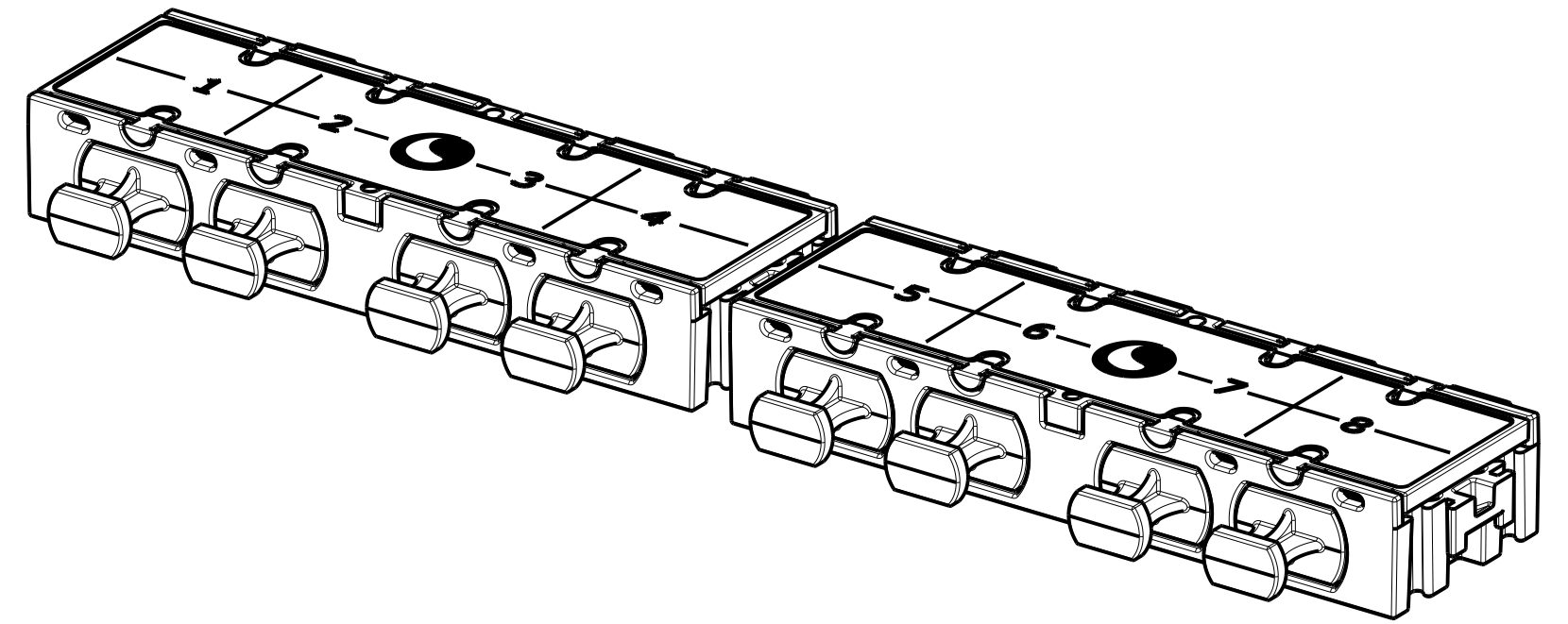


REV	MCO	DWN	DATE
A	40025322MCO	JAJR	28-OCT-15
B	8000018852	CA	07-JAN-17

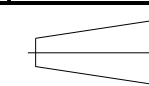
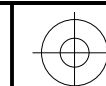


PRODUCT LABEL

CAT#: NG4-APMP040000

COMMSCOPE, INC.

© 2016 COMMSCOPE, INC. CONFIDENTIAL NOTICE: THESE DRAWINGS AND SPECIFICATIONS ARE THE PROPRIETARY PROPERTY OF COMMSCOPE, INC. AND MAY BE USED ONLY FOR THE SPECIFIC PURPOSE AUTHORIZED IN WRITING BY COMMSCOPE, INC.		TITLE NG4 MPO ADAPTER 4-PACKS INSTALLATION DWG	
ALL DIMS AND TOLERANCES ARE INCHES UNLESS OTHERWISE SPECIFIED	.XX:±N/A .XXX:±N/A ANGULAR:±N/A	C SIZE	DRAWING NUMBER 300100113769
DO NOT SCALE DRAWING	ENGR: JOSE A JARA DWN: JOSE A JARA	B REV	
		SHT. 1 OF 1	



DIMENSIONS IN INCHES
THIRD ANGLE PROJECTION