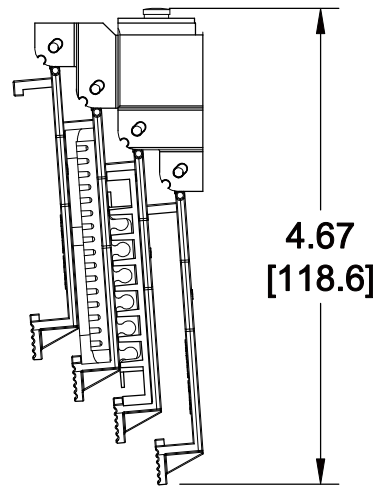
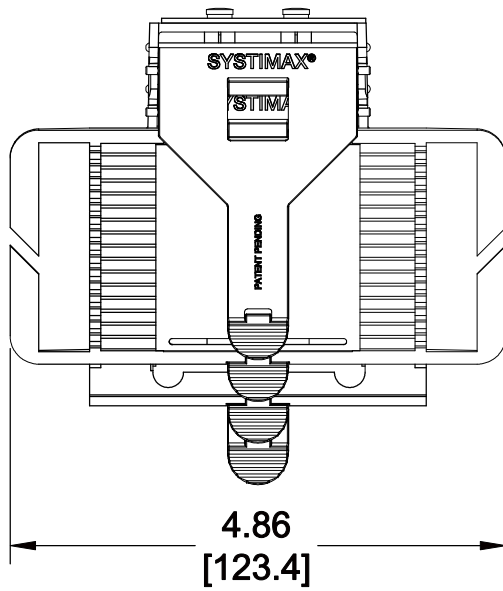
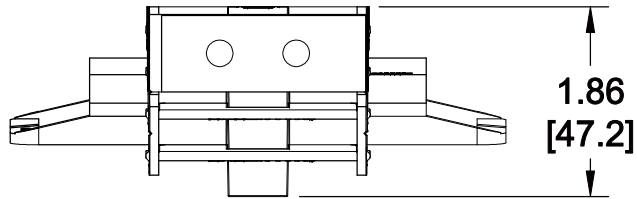


MATERIAL ID	DESCRIPTION
760031856	ROLOSPLICE KIT WITH 4 FUSION SPLICE TRAYS



NOTES:

1. SEE SYSTIMAX CATALOG FOR PART NUMBER SUFFIXES TO INDICATE COLOR/PKG.
2. SEE SYSTIMAX CATALOG FOR COMPLETE LIST OF PARTS RELATED TO THE USE OF THIS PRODUCT.
3. DIMENSIONS IN PARENTHESES ARE IN METRIC.
4. PART INCLUDES:
  - (1) ASSEMBLY, ROLOSPLICE - 4 TIER
  - (2) GROMMET, NYLATCH P/N NY-3G-32-20 (BLACK)
  - (2) PLUNGER, NYLATCH P/N NY-3P-32-3-50 (BLACK)
  - (1) TAPE, 3M VHB P/N 4941, .75" X 2.00"
  - (4) SPLICE ORGANIZER (FUSION)

RS-4AF-16SF

**COMMSCOPE, INC** OF NORTH CAROLINA

SYSTIMAX® SOLUTIONS

1	9/25/12		INITIAL ISSUE		DRAWN BY DJ	
REV	DATE	ECR	DESCRIPTION	APPROVED BY	DATE 9/25/2012	DWG NO 760031856