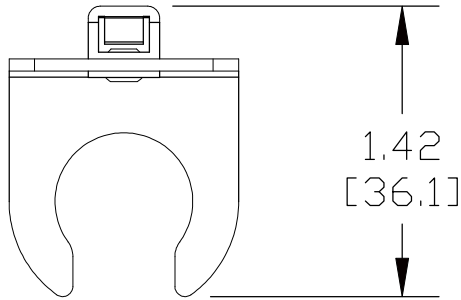
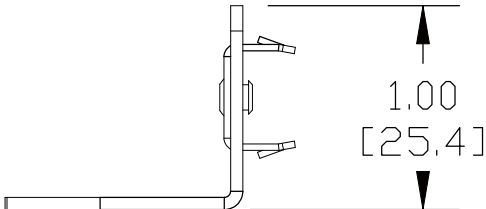
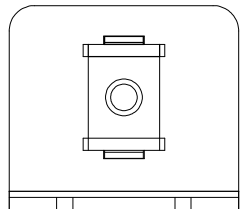


MATERIAL ID	DESCRIPTION
760161463	ULTRA HIGH DENSITY TRUNK CABLE BRACKET 3/8 NPT



NOTES:

- SEE SYSTIMAX CATALOG FOR PART NUMBER SUFFIXES TO INDICATE COLOR/PKG.
- SEE SYSTIMAX CATALOG FOR COMPLETE LIST OF PARTS RELATED TO THE USE OF THIS PRODUCT.
- DIMENSIONS IN PARENTHESES ARE IN METRIC.
- PART INCLUDES:
 (1) BRACKET, TRUNK CABLE, 3/8 NPT
 (1) LATCH, TRUNK BRACKET
 (1) RIVET, FLAT SEMI TUBULAR, 1/8 DIA, STEEL ZINK OR EQUIVALENT



UHD-CBL-BRKT-3/8-NPT	
COMMScope, INC OF NORTH CAROLINA	
SYSTIMAX® SOLUTIONS	
DRAWN BY DJ	
DATE 09/22/2011	DWG NO 760161463

REV	DATE	ECR	DESCRIPTION	APPROVED BY
1	09/22/11		INITIAL ISSUE	GR