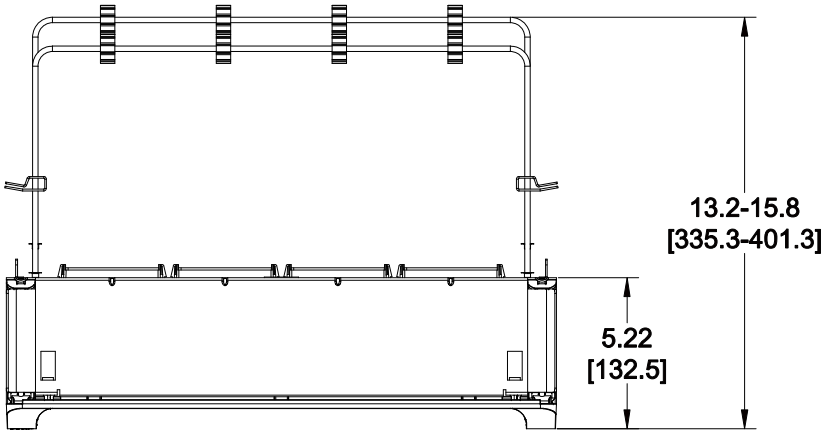
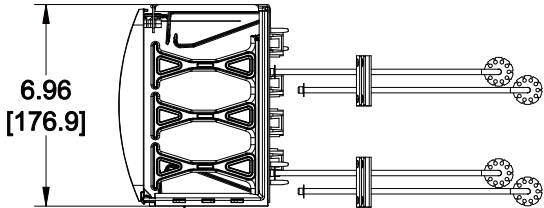
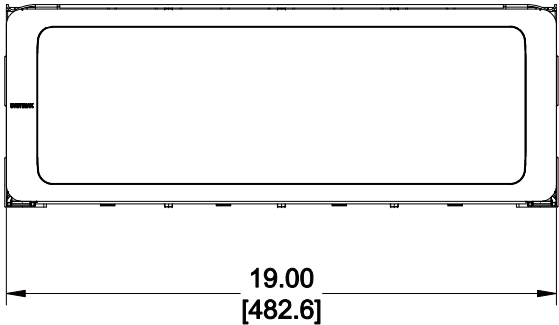


MATERIAL ID	DESCRIPTION
760193862	SYSTEMAX 360 4U MODULE PANEL



NOTES:

- SEE SYSTEMAX CATALOG FOR PART NUMBER SUFFIXES TO INDICATE COLOR/PKG.
- SEE SYSTEMAX CATALOG FOR COMPLETE LIST OF PARTS RELATED TO THE USE OF THIS PRODUCT.
- DIMENSIONS ARE IN INCHES[MM].
- PART INCLUDES:
 - (1) SUBASSY, FRONT DOOR
 - (2) SUBASSY, MODULAR BEZEL
 - (1) PANEL, 360MP4U
 - (16) FACE PLATE, BLANKING, IP360/G2, FLANGELESS
 - (16) CLIP, SUBUNIT TUBE ROUTING AND RESTRAINING
 - (2) ASSEMBLY, DUAL TROMBONE REAR FIBER MANAGEMENT SYSTEM
 - (2) LATCH, UPPER CLAMP
 - (2) RETAINER, FIBER MANAGEMENT



360MP-4U PANEL	
COMMScope, INC OF NORTH CAROLINA	
SYSTEMAX® SOLUTIONS	
DRAWN BY TZ	DWG NO 760193862
APPROVED BY GR	DATE 03/27/2014

REV	DATE	ECR	DESCRIPTION	APPROVED BY
1	03/27/14		INITIAL ISSUE	GR