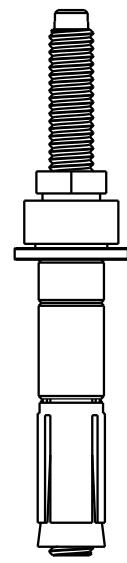
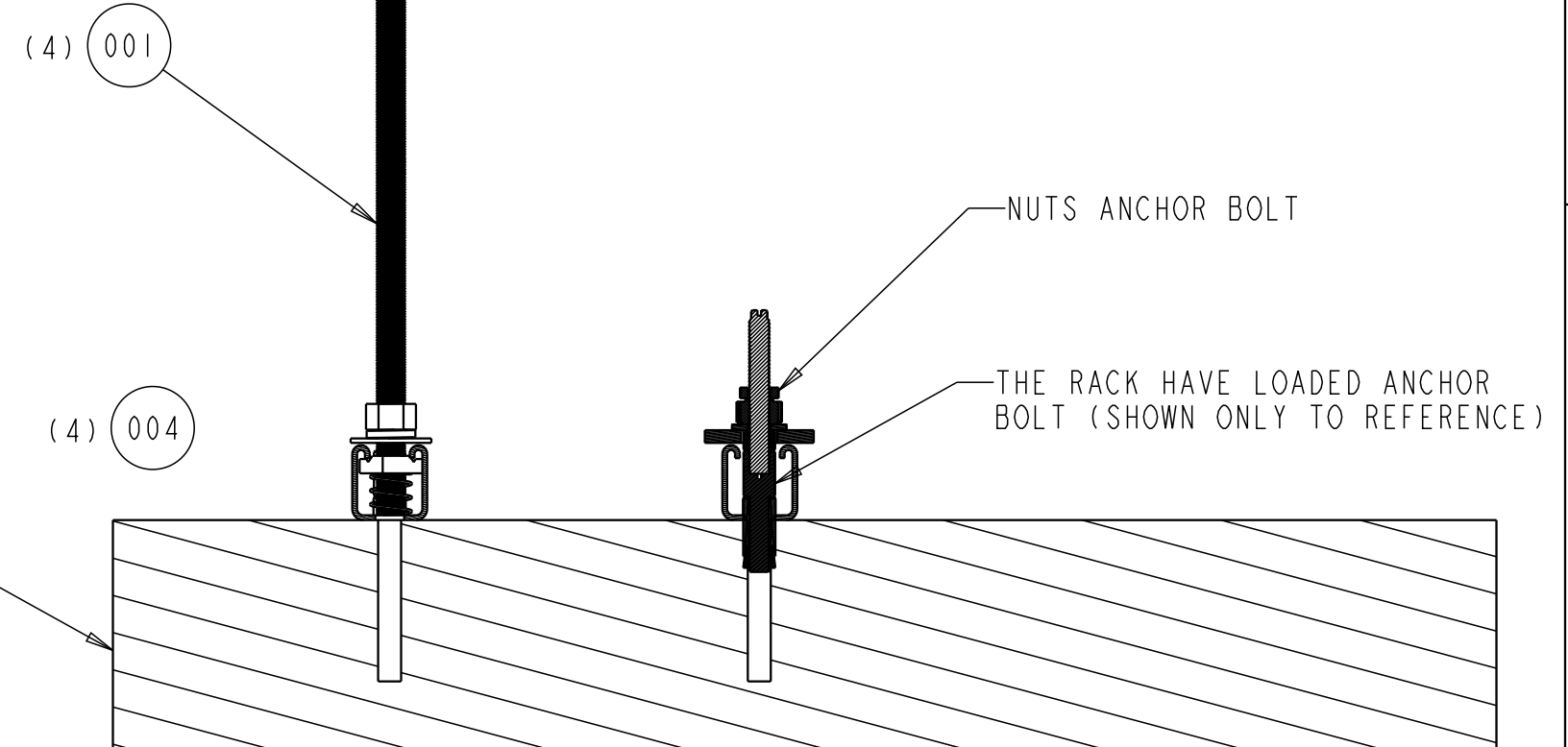


REV.	MCO	DWN	DATE
C	40018217MCO	EAAE	21-NOV-14
D	40032810MCO	MFG	12-AUG-16



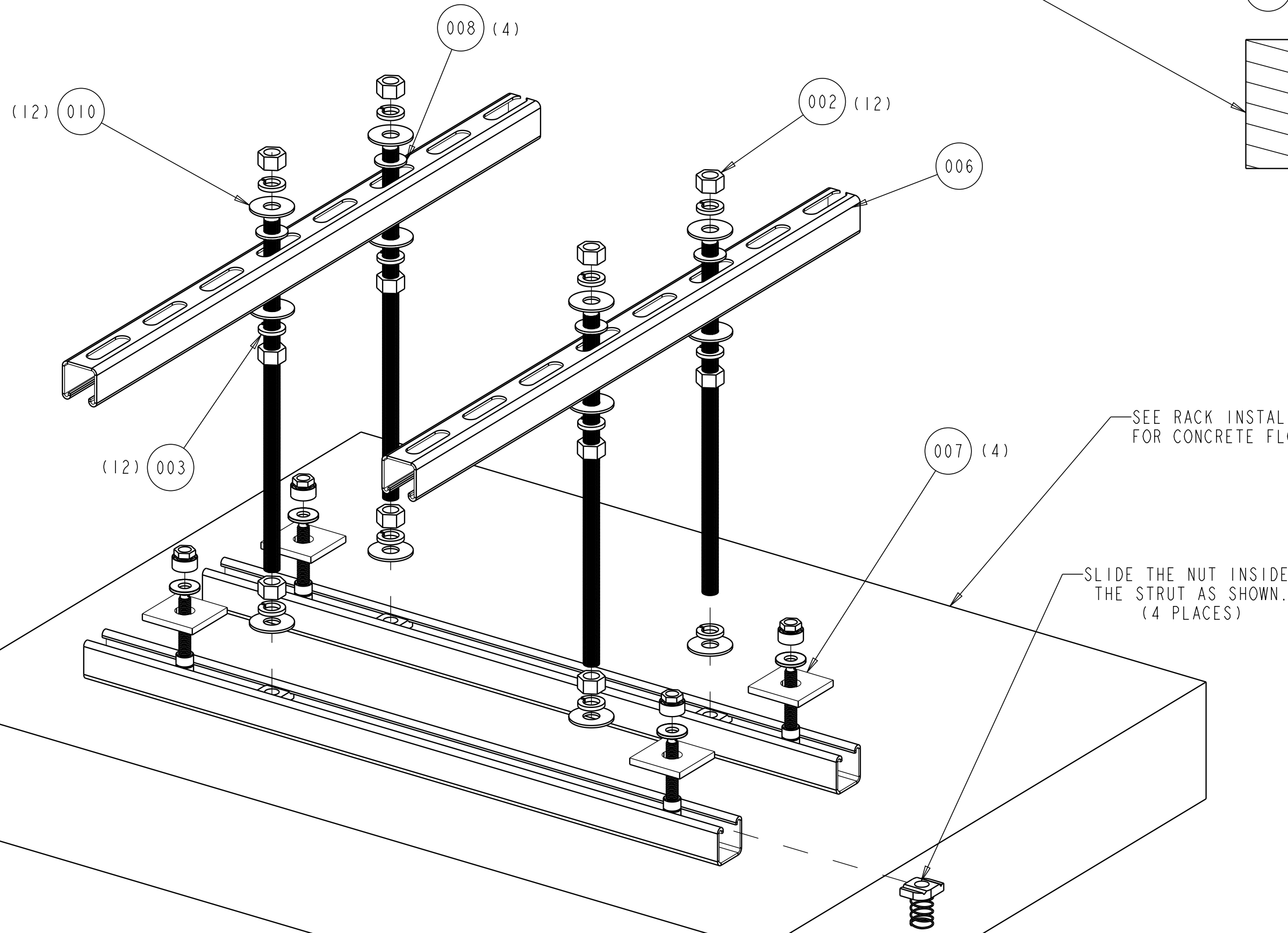
ANCHOR BOLT LOADED ON RACK
SHOWN ONLY REFERENCE

CONCRETE FLOOR REFERENCE



SECTION A-A
SCALE 0.250

CONCRETE FLOOR ANCHOR
DETAIL TYP (4) PLACES



PART LIST		
ITEM	DESCRIPTION	QTY
001	THREADED ROD, 5/8-11X30	4
002	NUT HEX 5/8-11 STL YZC	12
003	WASHER LOCK SPL .625"	12
004	NUT W/SPRING FOR UNISTRUT	4
006	STRUT (1-5/8) 1.62 X 1.62 X 10 FT SLOTTED	1
007	WASHER SQUARE M18, 60 MM SQ, 7MM THICK	4
008	WASHER, SHOULDER, NYLON	4
010	FLAT WASHER 5/8	12

COMMSCOPE, INC.

© 2016 COMMSCOPE, INC. CONFIDENTIAL NOTICE: THESE DRAWINGS AND SPECIFICATIONS ARE THE PROPRIETARY PROPERTY OF COMMSCOPE, INC. AND MAY BE USED ONLY FOR THE SPECIFIC PURPOSE AUTHORIZED IN WRITING BY COMMSCOPE, INC.		TITLE INSTALLATION DRAWING KIT FDF MTG RAISED FLOOR 5/8	
ALL DIMS AND TOLERANCES ARE INCHES UNLESS OTHERWISE SPECIFIED	.XX:±.XX .XXX:±.XXX ANGULAR:±N/A	C SIZE DRAWING NUMBER 1423234_ADC	D REV
DO NOT SCALE DRAWING	ENGR: MARCELO RUIZ DWN: SANTANA LOPEZ	SHT. 1 OF 1	

DIMENSIONS IN INCHES
THIRD ANGLE PROJECTION