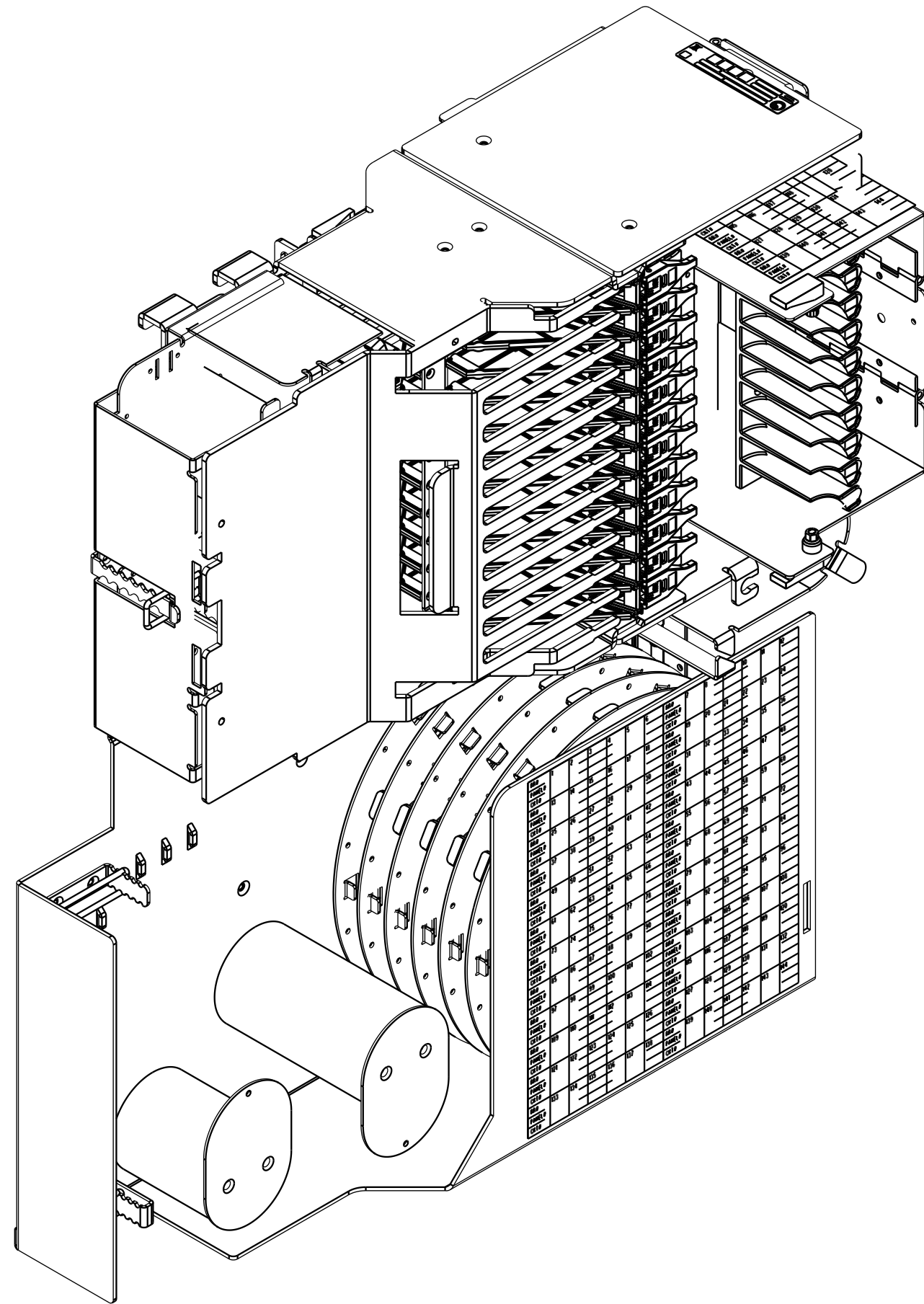


REV	MCO	DWN	DATE
B	20326717	JFM	13-JUN-12
C	40032793MCO	JGZV	09-AUG-16



PARTS LIST		
ITEM	DESCRIPTION	QTY
001	CABLE CLAMP MTG BRACKET	1
002	CABLE GROMMET 0.9 IN OD	1
003	CABLE GROMMET 0.8 IN OD	1
004	CABLE GROMMET 0.7 IN OD	1
005	CABLE GROMMET 0.6 IN OD	1
006	CABLE GROMMET 0.5 IN OD	1
007	CABLE CLAMP YOKE	2
008	CABLE CLAMP COVER	1
009	#10-32, 1.750 SCREW	2
010	SPLIT BOLT	1
011	#12-24 SCREW	4
012	#12-24 WASHER	4
013	COMBO BLOCK MANUAL	1

### COMPLETED ASSEMBLY REF

NOTES:

- 1 CABLE BREAKOUT:  
BUFFER TUBE LENGTH: SEE USER MANUAL  
250 um FIBER LENGTH: SEE USER MANUAL
- 2 POSITION FCB SUCH THAT THE MOUNTING BRACKET LOCATED ON THE FRAME SLIDES BETWEEN THE FLANGES ON THE FTB. FASTEN FTB TO FRAME USING (4) #12 SCREWS AND (4) STAR WASHERS. (SEE DETAIL A)
- 3 REMOVE VCG FROM RACK, PLACE VCG AND SCREWS NEARBY AS THEY WILL BE REASSEMBLED TO RACK.
4. ASSEMBLE CABLE CLAMP MOUNTING BRACKET AND VCG TO RACK AS SHOWN. (SEE DETAIL B)
- 5 SECURE CABLE TO BRACKET WITH O-RING AS NECESSARY.

COMMSCOPE, INC.

© 2016 COMMSCOPE, INC. CONFIDENTIAL NOTICE: THESE DRAWINGS AND SPECIFICATIONS ARE THE PROPRIETARY PROPERTY OF COMMSCOPE, INC. AND MAY BE USED ONLY FOR THE SPECIFIC PURPOSE AUTHORIZED IN WRITING BY COMMSCOPE, INC.		TITLE NGF COMBO RIGHT 144 FIBER FTB INSTALLATION DRAWING	
ALL DIMS AND TOLERANCES ARE INCHES UNLESS OTHERWISE SPECIFIED	.XX:±N/A .XXX:±N/A ANGULAR:±N/A	C SIZE	DRAWING NUMBER 300001749740
DO NOT SCALE DRAWING	ENGR: J. MENDOZA DWN: G. NERI	C REV	
		SHT. 1 OF 3	

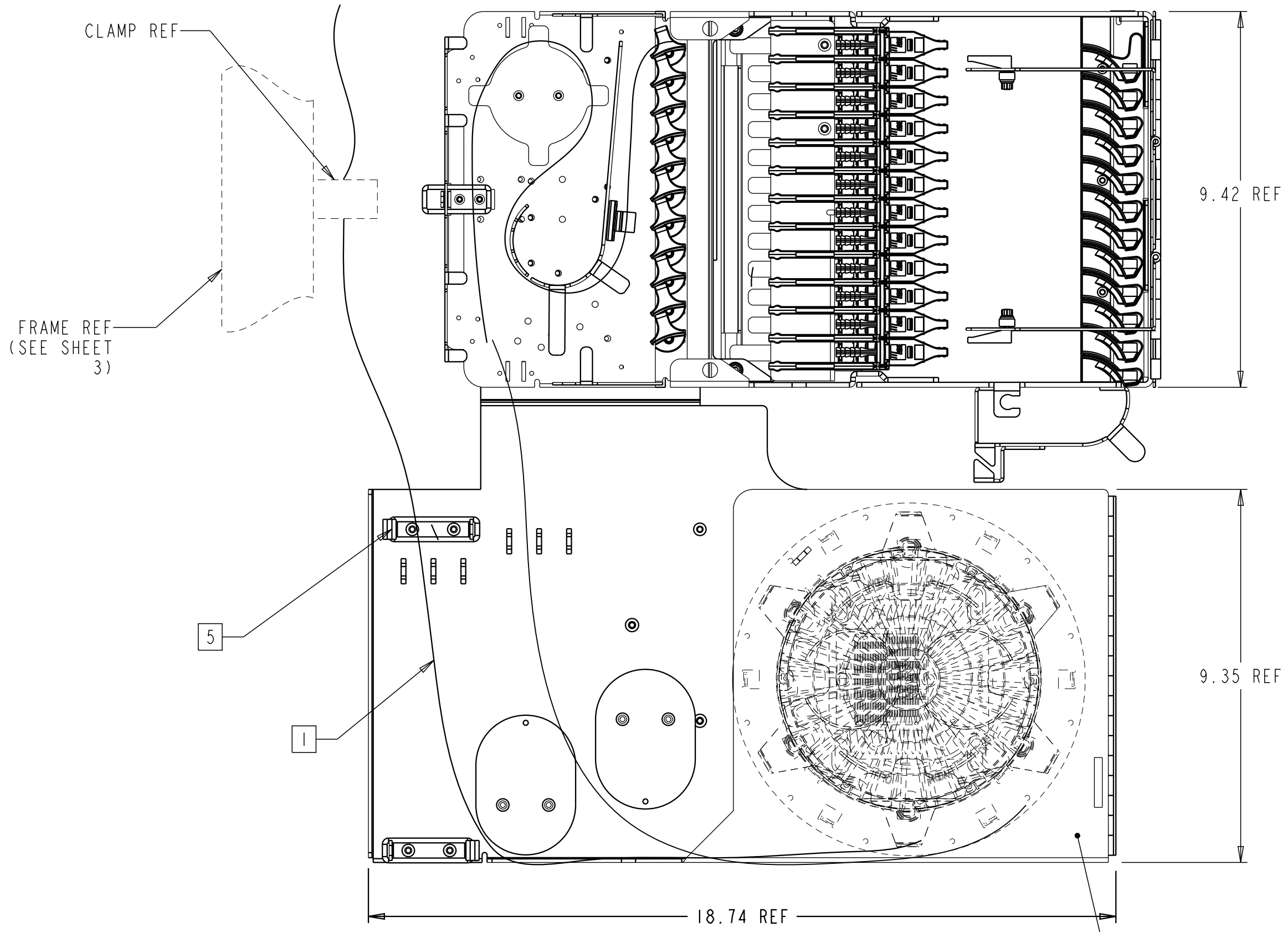
DIMENSIONS IN INCHES  
THIRD ANGLE PROJECTION

A

B

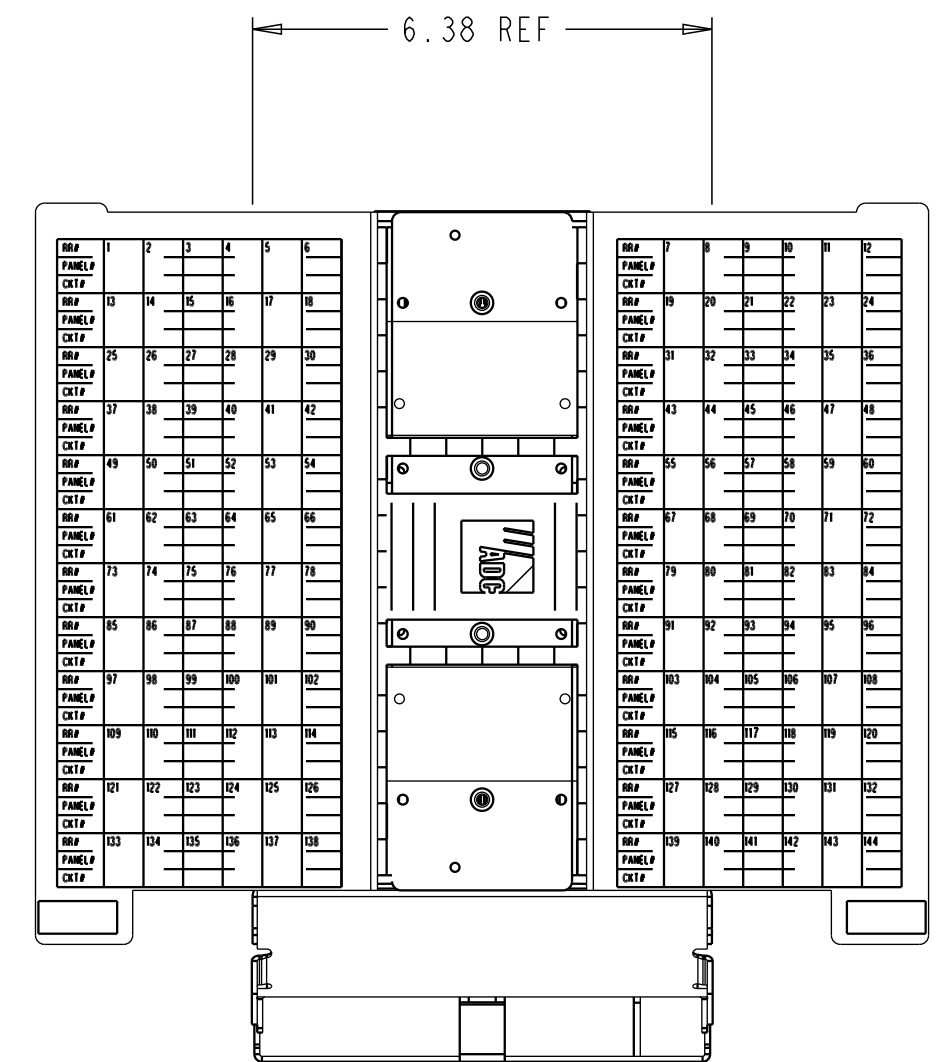
C

D



**LEFT SIDE VIEW**  
(SHOWN WITHOUT SIDE PANEL)

DESIGNATION LABEL REMOVED FOR CLARITY



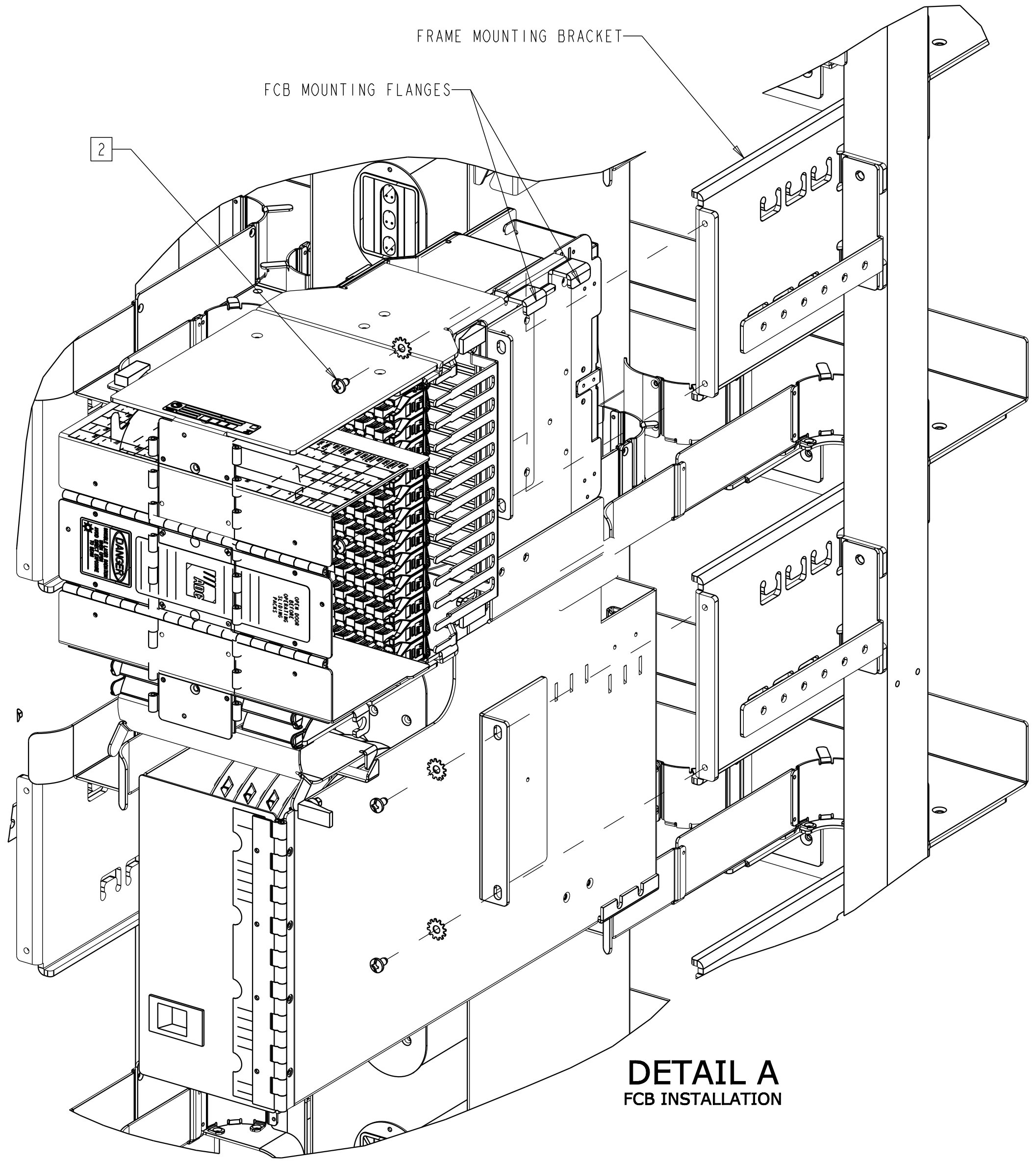
**FRONT VIEW**  
(SHOWN WITHOUT DOORS AND DESCRIPTION LABELS)

STANDARD CONNECTION TABLE												
SPLICE TRAY NUMBER												FIBER COLOR
1	2	3	4	5	6							
FIBER BUNDLE NUMBER												
1	2	3	4	5	6	7	8	9	10	11	12	
T/B POSITION												
1	13	25	37	49	61	73	85	97	109	121	133	BLUE
2	14	26	38	50	62	74	86	98	110	122	134	ORANGE
3	15	27	39	51	63	75	87	99	111	123	135	GREEN
4	16	28	40	52	64	76	88	100	112	124	136	BROWN
5	17	29	41	53	65	77	89	101	113	125	137	SLATE
6	18	30	42	54	66	78	90	102	114	126	138	WHITE
7	19	31	43	55	67	79	91	103	115	127	139	RED
8	20	32	44	56	68	80	92	104	116	128	140	BLACK
9	21	33	45	57	69	81	93	105	117	129	141	YELLOW
10	22	34	46	58	70	82	94	106	118	130	142	VIOLET
11	23	35	47	59	71	83	95	107	119	131	143	ROSE
12	24	36	48	60	72	84	96	108	120	132	144	AQUA

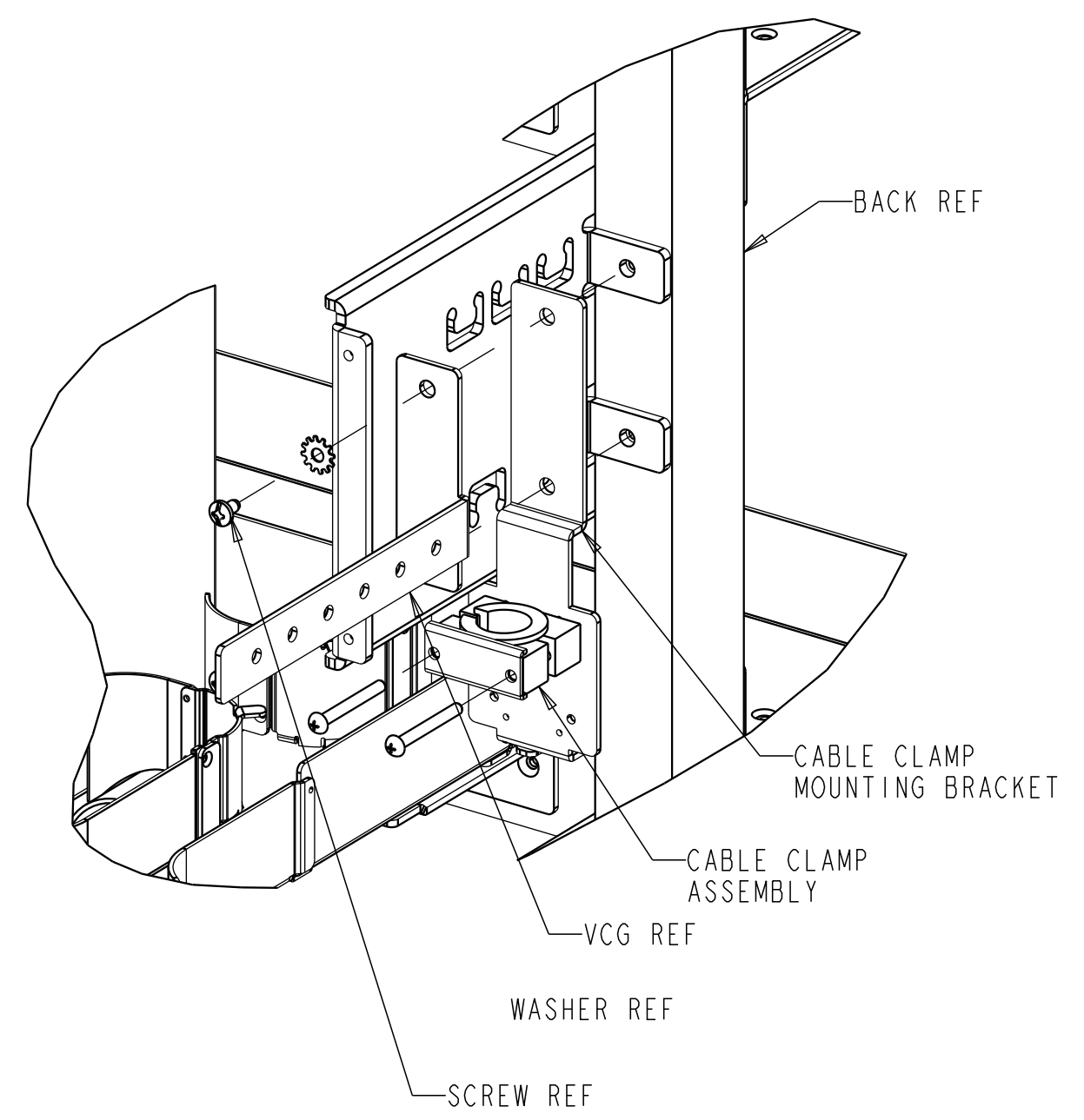
COMMSCOPE, INC.

© 2016 COMMSCOPE, INC. CONFIDENTIAL NOTICE: THESE DRAWINGS AND SPECIFICATIONS ARE THE PROPRIETARY PROPERTY OF COMMSCOPE, INC. AND MAY BE USED ONLY FOR THE SPECIFIC PURPOSE AUTHORIZED IN WRITING BY COMMSCOPE, INC.		TITLE NGF COMBO RIGHT 144 FIBER FTB INSTALLATION DRAWING	
ALL DIMS AND TOLERANCES ARE INCHES UNLESS OTHERWISE SPECIFIED	.XX:±N/A .XXX:±N/A ANGULAR:±N/A	C SIZE	DRAWING NUMBER 300001749740
DO NOT SCALE DRAWING	ENGR: J. MENDOZA DWN: G. NERI	C REV	
			SHT. 2 OF 3

DIMENSIONS IN INCHES  
THIRD ANGLE PROJECTION



**DETAIL A**  
FCB INSTALLATION



**DETAIL B**  
CABLE CLAMP  
INSTALLATION

COMMSCOPE, INC.

<small>© 2016 COMMSCOPE, INC. CONFIDENTIAL          NOTICE: THESE DRAWINGS AND SPECIFICATIONS          ARE THE PROPRIETARY PROPERTY OF          COMMSCOPE, INC. AND MAY BE USED ONLY FOR THE          SPECIFIC PURPOSE AUTHORIZED IN WRITING BY          COMMSCOPE, INC.</small>		TITLE NGF COMBO RIGHT 144 FIBER FTB INSTALLATION DRAWING	
<small>ALL DIMS AND TOLERANCES          ARE INCHES UNLESS          OTHERWISE SPECIFIED</small>	<small>.XX:±N/A          .XXX:±N/A          ANGULAR:±N/A</small>	C SIZE	DRAWING NUMBER 300001749740
DO NOT SCALE DRAWING		ENGR: J. MENDOZA DWN: G. NERI	SHT. 3 OF 3

DIMENSIONS IN INCHES  
 THIRD ANGLE PROJECTION