

REV.	MCO	DWN	DATE
D	40022863MCO	JA JR	01-OCT-15
E	40022863MCO	JGZV	09-AUG-16

HANGING HOLE FOR
PATCH CORD
ROUTING GUIDE

HANGING HOLE FOR
PATCH CORD
ROUTING GUIDE

FRONT ISO

REAR ISO

CATALOG NO.: NG4-FR100000

COMMScope, INC.

© 2016 COMMScope, INC. CONFIDENTIAL
NOTICE: THESE DRAWINGS AND SPECIFICATIONS
ARE THE PROPRIETARY PROPERTY OF
COMMScope, INC. AND MAY BE USED ONLY FOR THE
SPECIFIC PURPOSE AUTHORIZED IN WRITING BY
COMMScope, INC.

TITLE
INSTALL DWG,
NG4ACCESS FRAME

ALL DIMS AND TOLERANCES .XX:±N/A
ARE INCHES UNLESS .XXX:±N/A
OTHERWISE SPECIFIED ANGULAR:±N/A

C
SIZE
DRAWING NUMBER
300001771255

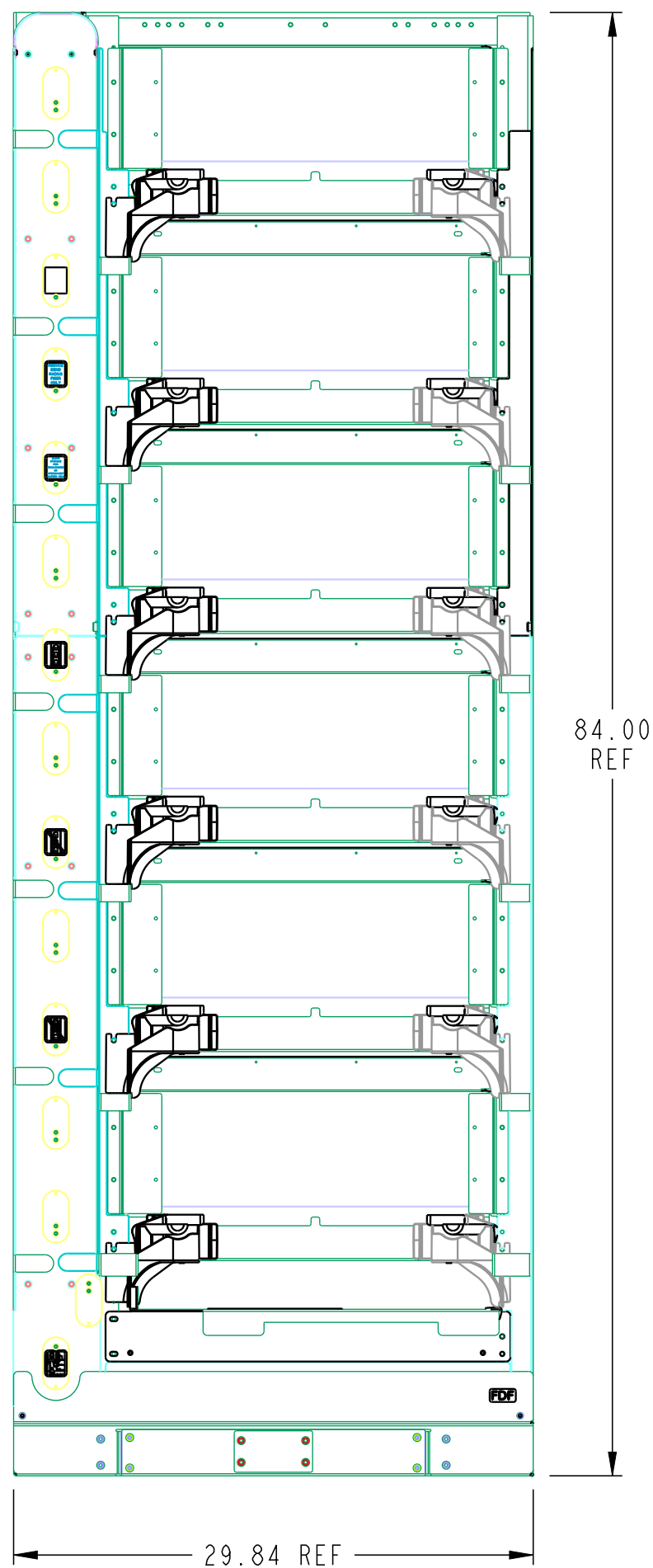
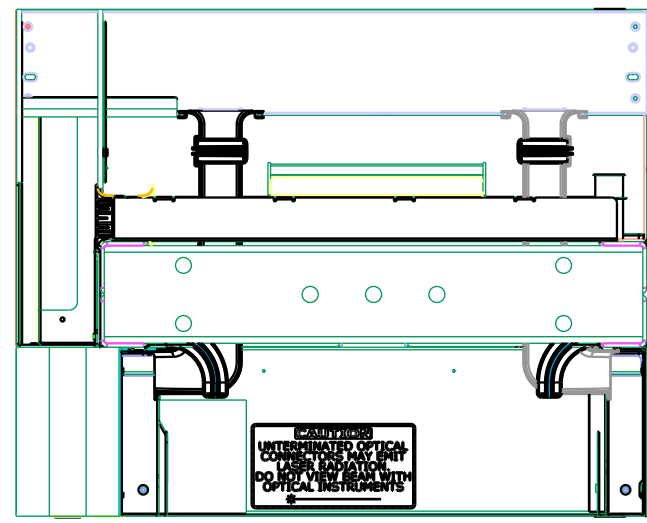
E
REV

DO NOT SCALE DRAWING

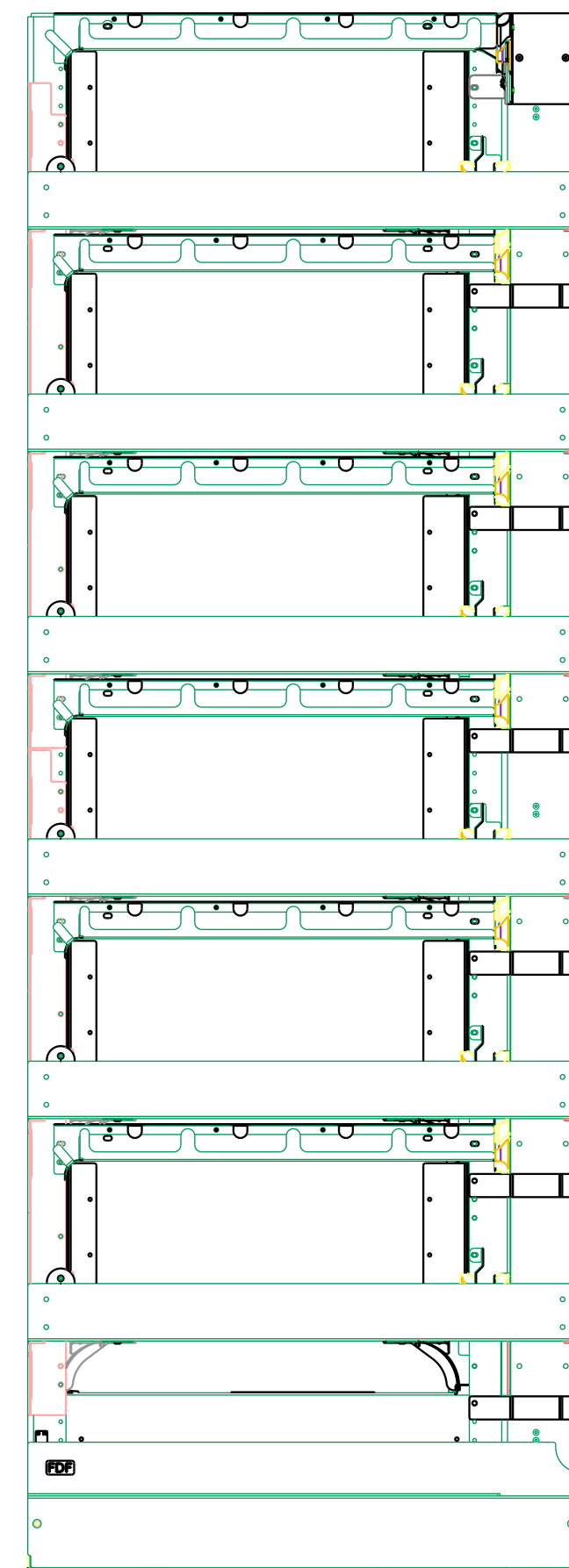
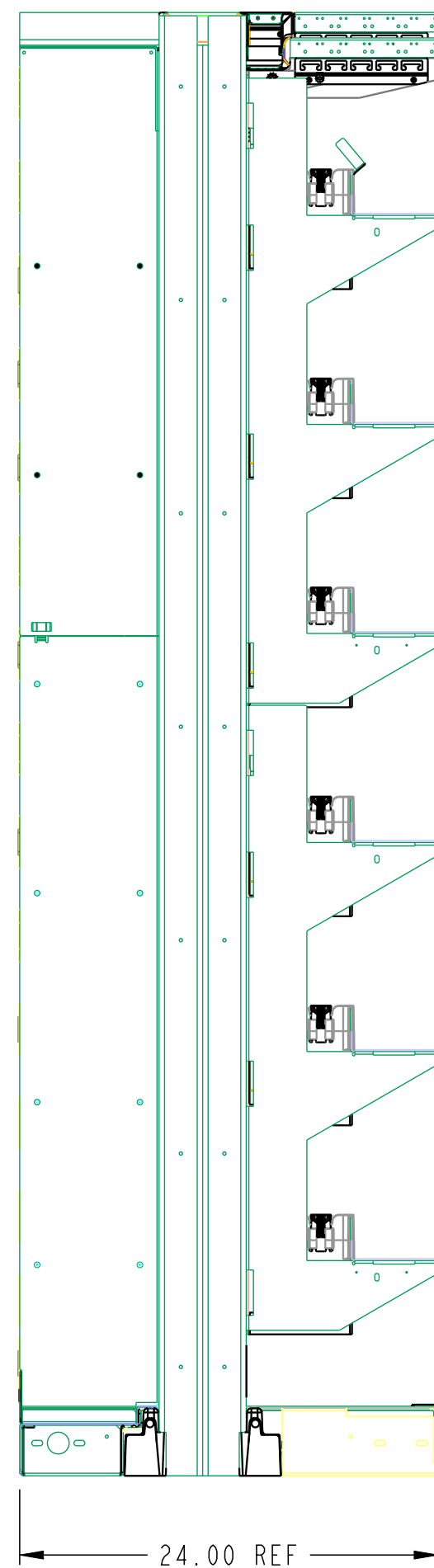
ENGR: JIM SOLHEID
DWN: TIM HAATAJA

SHT. 1 OF 4

DIMENSIONS IN INCHES
THIRD ANGLE PROJECTION

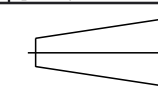
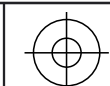


FRONT VIEW



COMMSCOPE, INC.

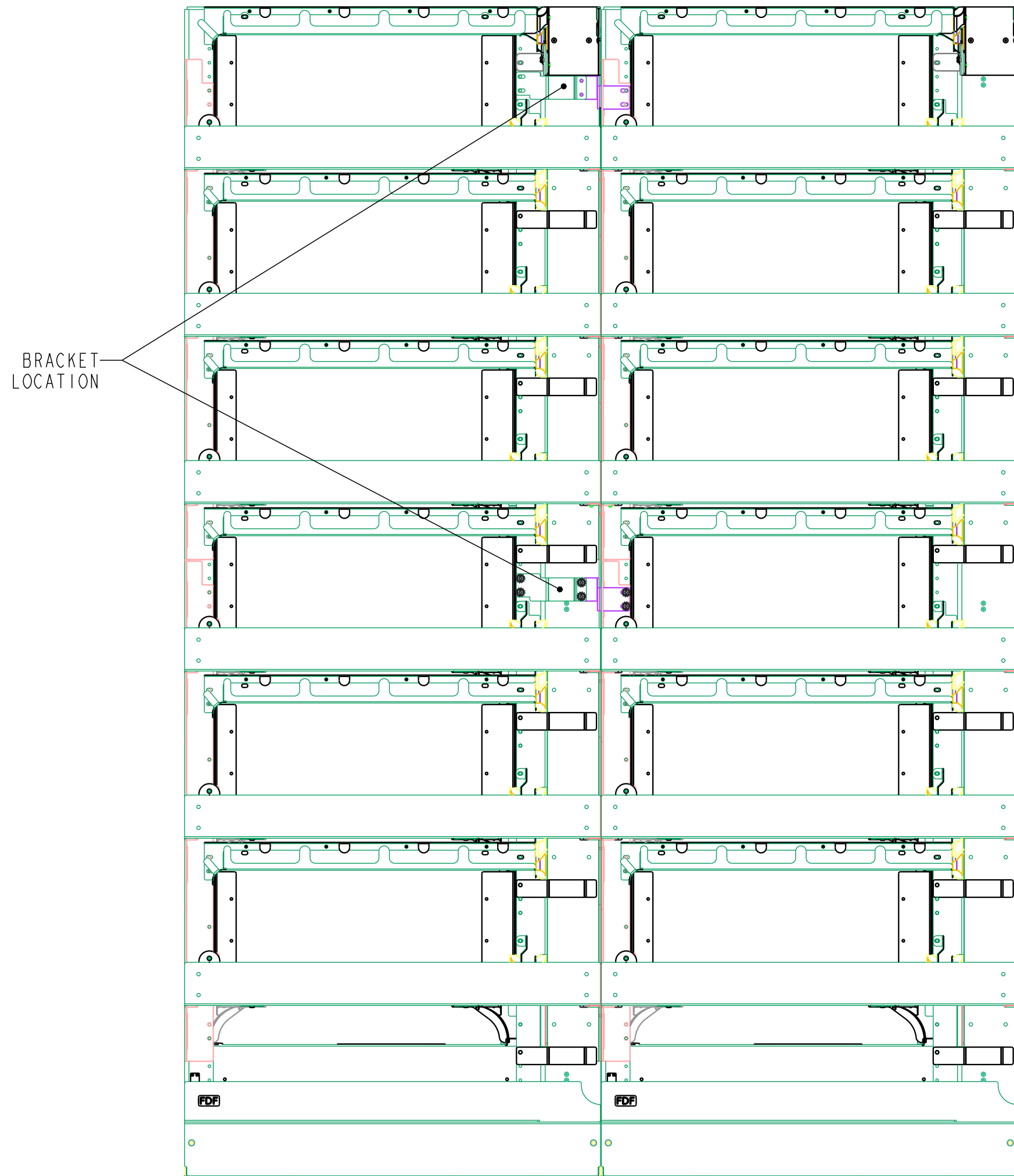
<small>© 2016 COMMSCOPE, INC. CONFIDENTIAL NOTICE: THESE DRAWINGS AND SPECIFICATIONS ARE THE PROPRIETARY PROPERTY OF COMMSCOPE, INC. AND MAY BE USED ONLY FOR THE SPECIFIC PURPOSE AUTHORIZED IN WRITING BY COMMSCOPE, INC.</small>		TITLE INSTALL DWG, NG4ACCESS FRAME	
<small>ALL DIMS AND TOLERANCES ARE INCHES UNLESS OTHERWISE SPECIFIED</small>	<small>.XX:±N/A .XXX:±N/A ANGULAR:±N/A</small>	C SIZE	DRAWING NUMBER 300001771255
DO NOT SCALE DRAWING		ENGR: JIM SOLHEID DWN: TIM HAATAJA	SHT. 2 OF 4



DIMENSIONS IN INCHES
THIRD ANGLE PROJECTION

NG4ACCESS FRAME BRACKET INSTALLATION

(SUPPLIED WITH FRAME)



REAR VIEW

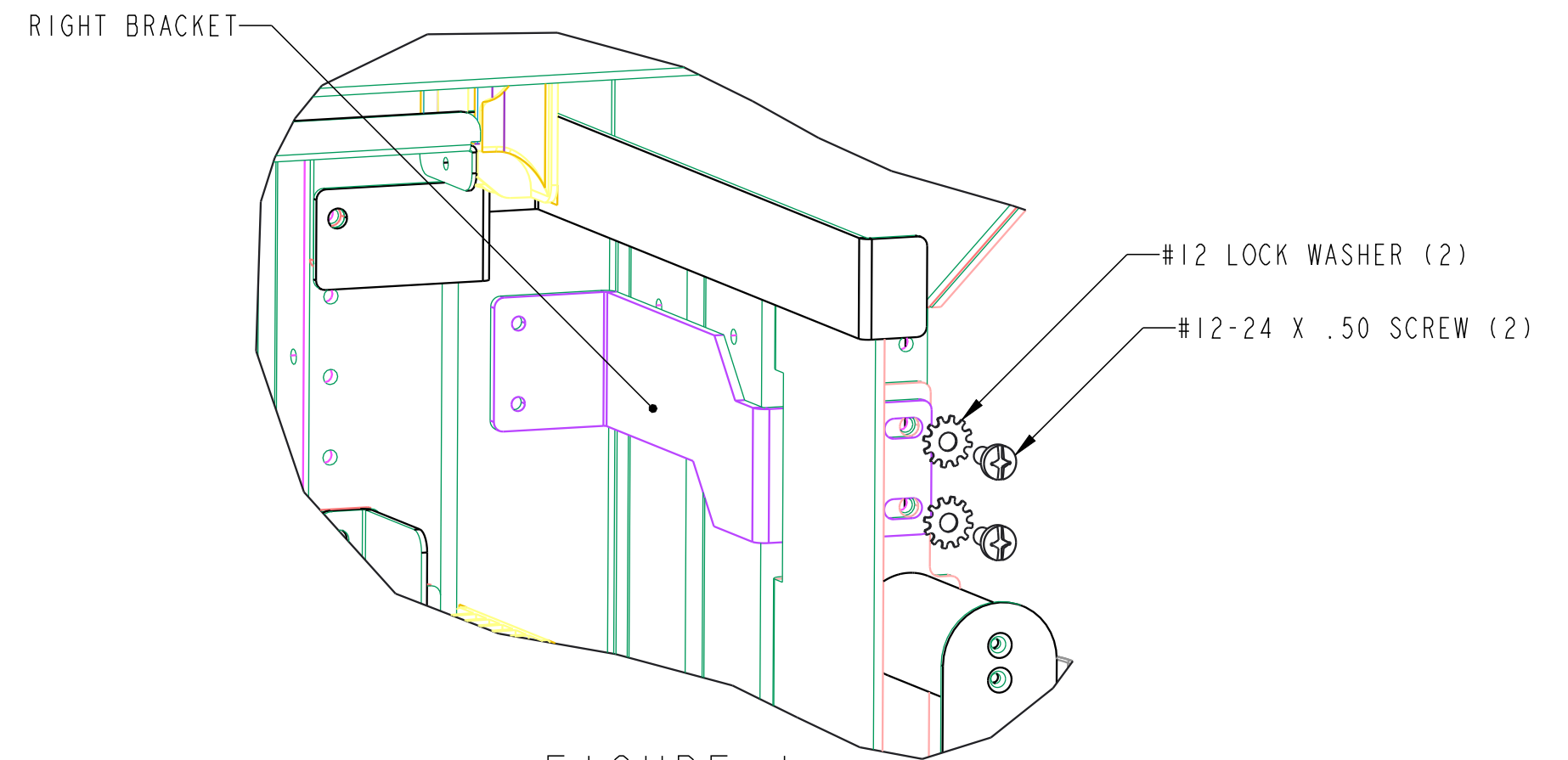


FIGURE 1
TYPICAL 2 PLACES
SCALE 0.500

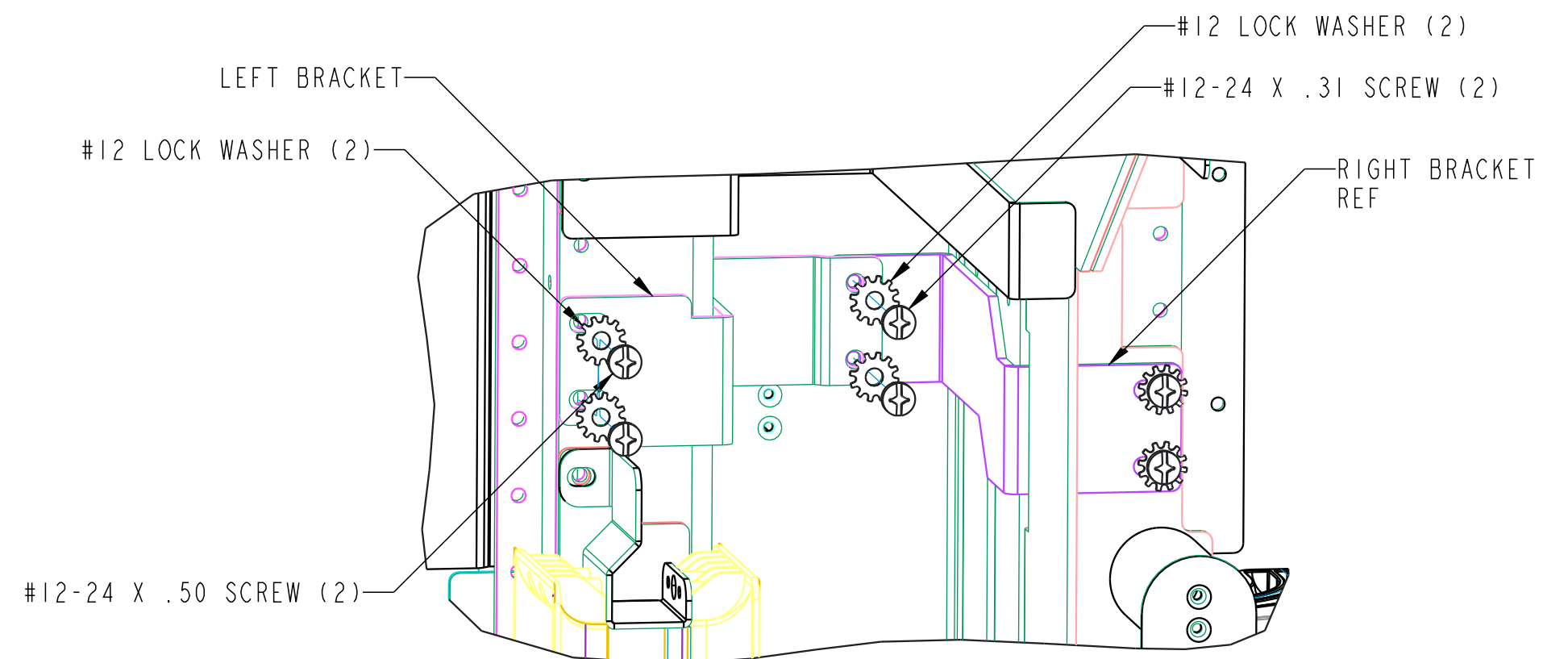


FIGURE 2
TYPICAL 2 PLACES
SCALE 0.500

INSTALLATION INSTRUCTIONS:

1. ATTACH RIGHT BRACKET TO FRAME USING (2) #12 LOCK WASHERS AND (2) #12-24 X .50 SCREWS. DO NOT TIGHTEN SCREWS AT THIS TIME. (SEE FIGURE 1)
2. ATTACH LEFT BRACKET TO RIGHT BRACKET USING (2) #12 LOCK WASHERS AND (2) #12-24 X .31 SCREWS. DO NOT TIGHTEN SCREWS AT THIS TIME. (SEE FIGURE 2)
3. ATTACH LEFT BRACKET TO FRAME USING (2) #12 LOCK WASHERS AND (2) #12-24 X .50 SCREWS. TIGHTEN SCREWS. (SEE FIGURE 2)
4. TIGHTEN ALL REMAINING SCREWS.

COMMSCOPE, INC.

© 2016 COMMSCOPE, INC. CONFIDENTIAL NOTICE: THESE DRAWINGS AND SPECIFICATIONS ARE THE PROPRIETARY PROPERTY OF COMMSCOPE, INC. AND MAY BE USED ONLY FOR THE SPECIFIC PURPOSE AUTHORIZED IN WRITING BY COMMSCOPE, INC.		TITLE INSTALL DWG, NG4ACCESS FRAME	
ALL DIMS AND TOLERANCES ARE INCHES UNLESS OTHERWISE SPECIFIED	.XX:±N/A .XXX:±N/A ANGULAR:±N/A	C SIZE	DRAWING NUMBER 300001771255
DO NOT SCALE DRAWING	ENGR: JIM SOLHEID DWN: TIM HAATAJA	SHT. 3 OF 4	

DIMENSIONS IN INCHES
THIRD ANGLE PROJECTION

NG4ACCESS

REAR TROUGH JUNCTION PLATE INSTALLATION

(SUPPLIED WITH FRAME)

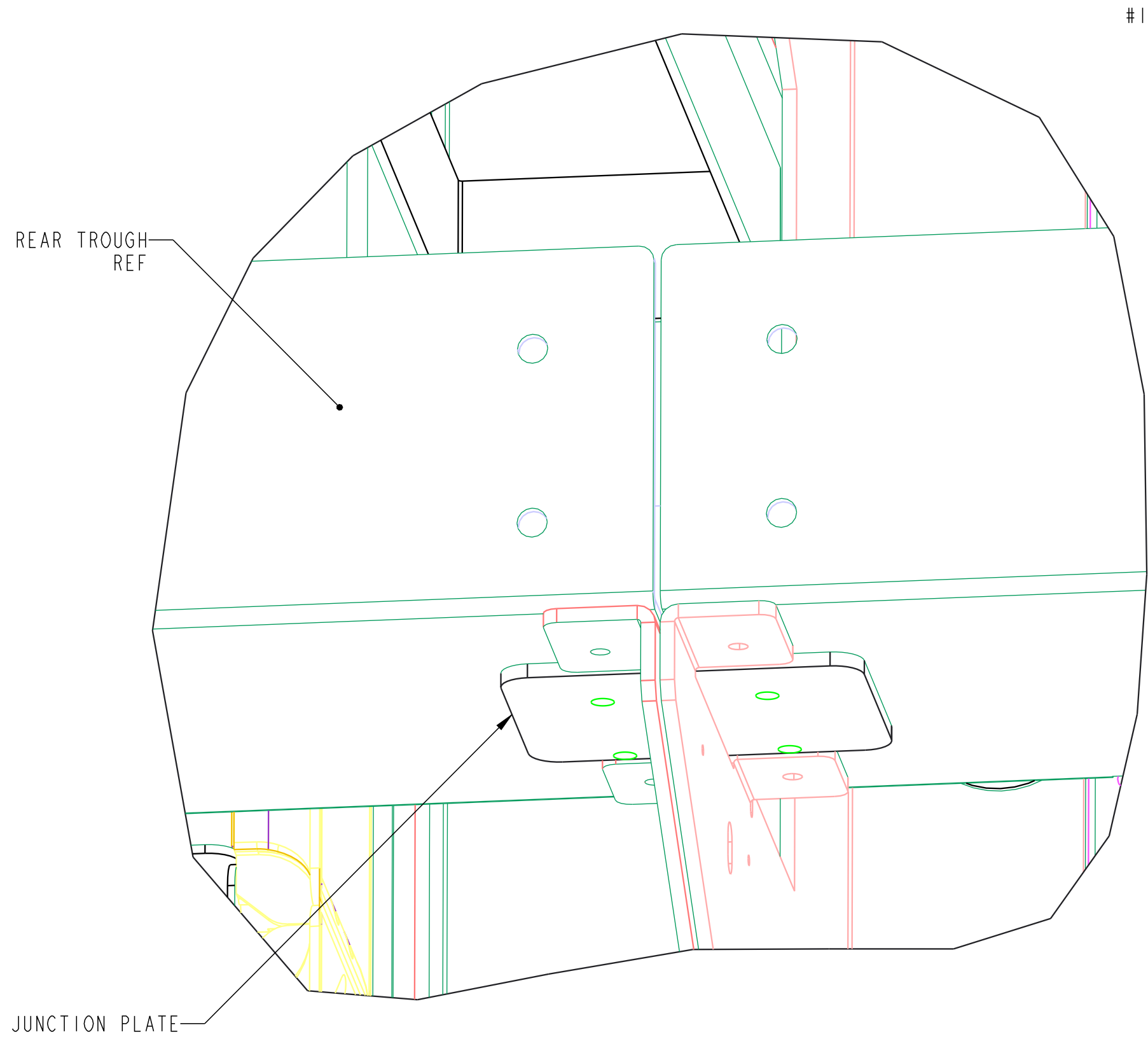


FIGURE 3
REAR/BOTTOM VIEW
TYPICAL 6 PLACES

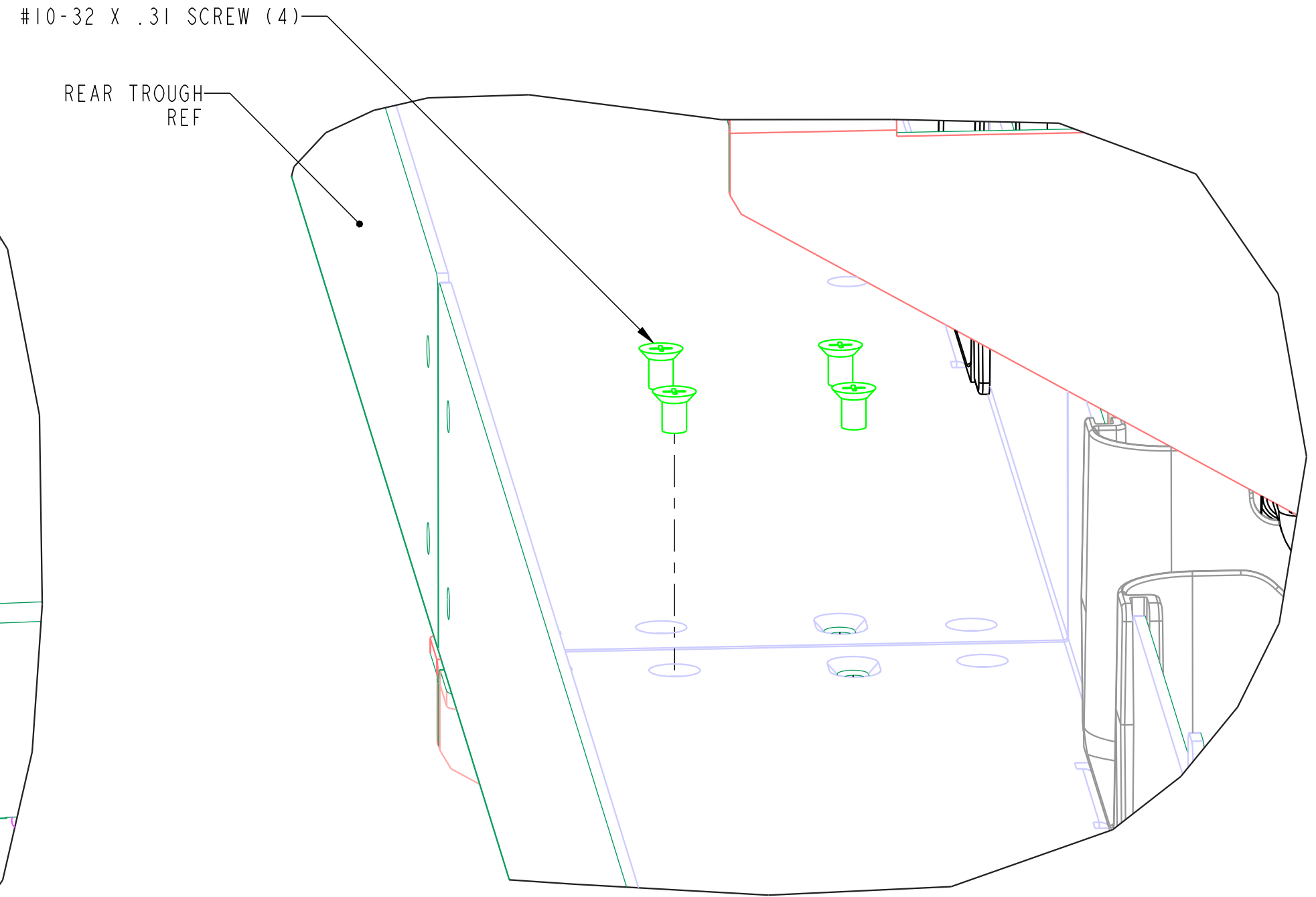


FIGURE 3
REAR/TOP VIEW
TYPICAL 6 PLACES

INSTALLATION INSTRUCTIONS:

1. POSITION JUNCTION PLATE AS SHOWN ON BOTTOM OF REAR TROUGH. (SEE FIGURE 3)
2. ASSEMBLE #10-32 X .31 SCREWS AS SHOWN FROM TOP OF REAR TROUGH. (SEE FIGURE 4)

COMMSCOPE, INC.

© 2016 COMMSCOPE, INC. CONFIDENTIAL NOTICE: THESE DRAWINGS AND SPECIFICATIONS ARE THE PROPRIETARY PROPERTY OF COMMSCOPE, INC. AND MAY BE USED ONLY FOR THE SPECIFIC PURPOSE AUTHORIZED IN WRITING BY COMMSCOPE, INC.		TITLE INSTALL DWG, NG4ACCESS FRAME	
ALL DIMS AND TOLERANCES ARE INCHES UNLESS OTHERWISE SPECIFIED		C SIZE	DRAWING NUMBER 300001771255
DO NOT SCALE DRAWING		ENGR: JIM SOLHEID DWN: TIM HAATAJA	SHT. 4 OF 4

**DIMENSIONS IN INCHES
THIRD ANGLE PROJECTION**