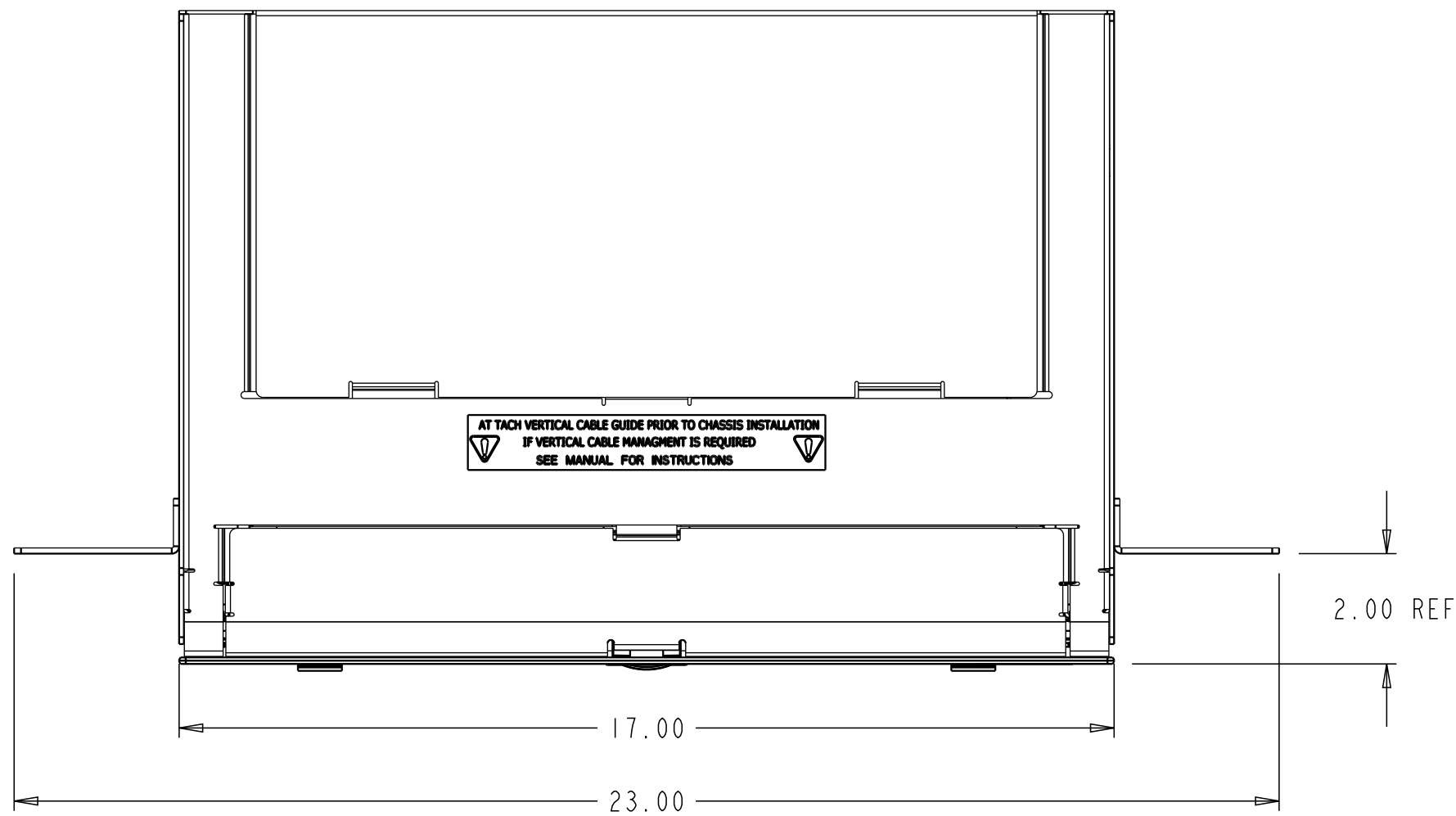
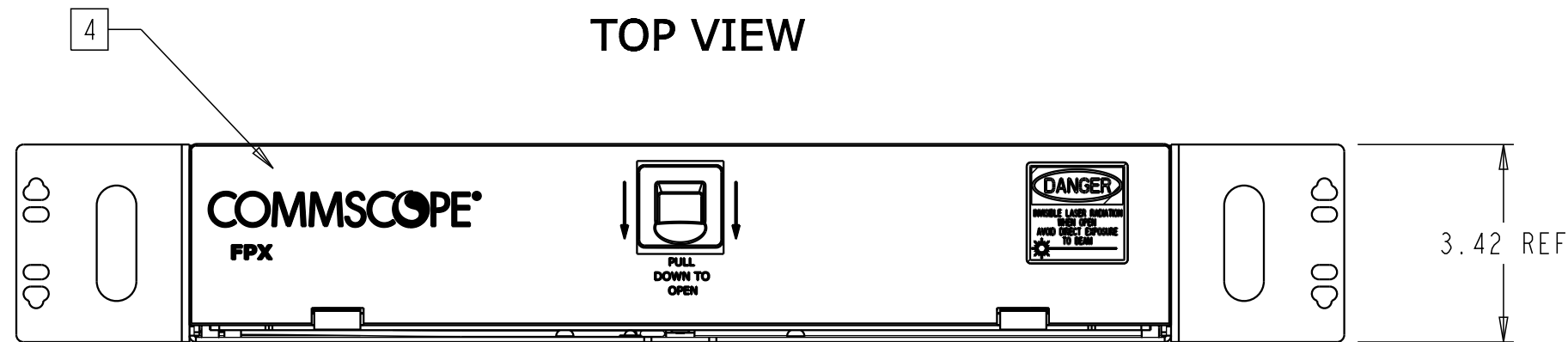


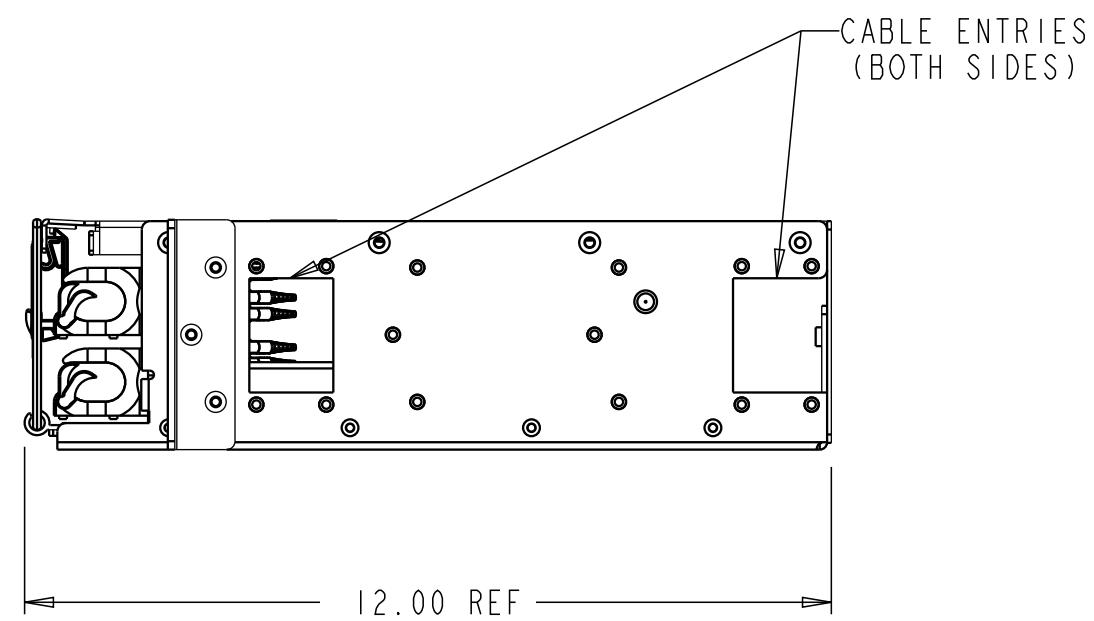
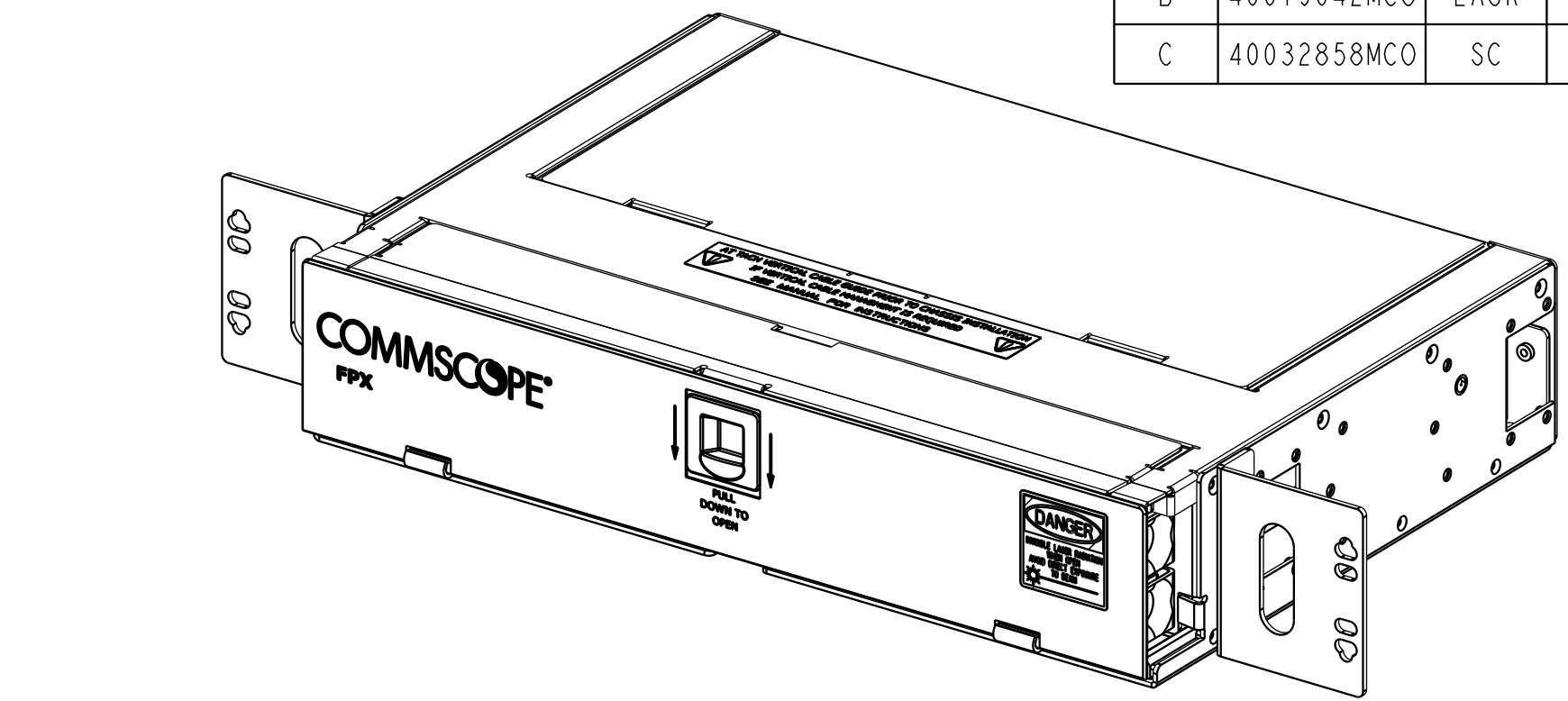
REV	MCO	DWN	DATE
B	40019042MCO	LASR	12-JAN-15
C	40032858MCO	SC	19-AUG-16



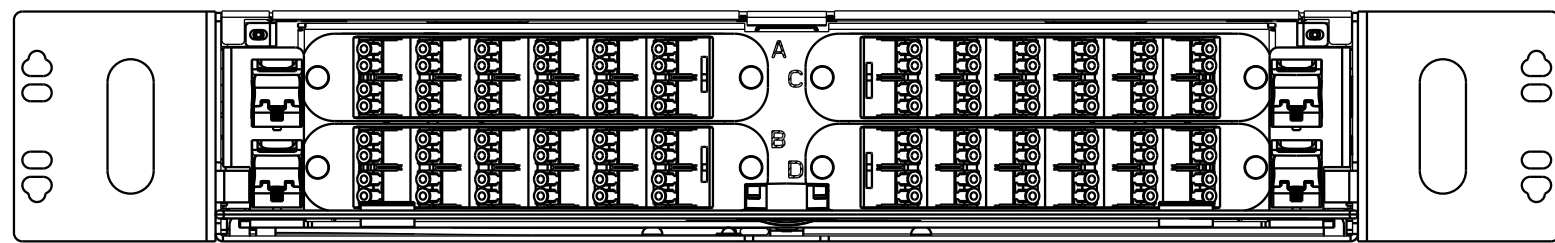
TOP VIEW



FRONT VIEW

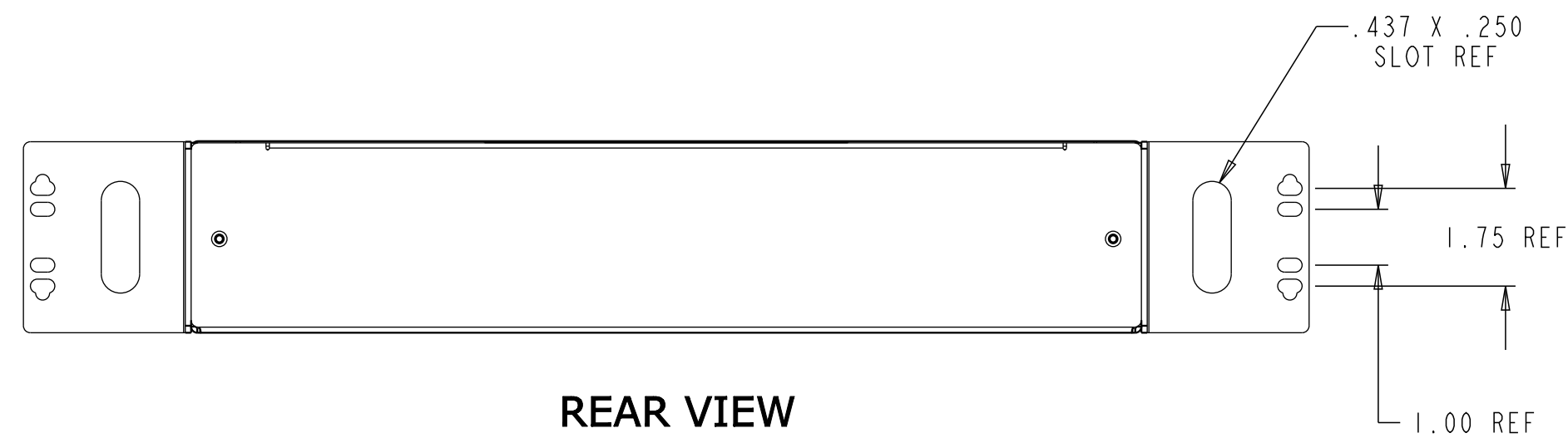


RIGHT VIEW



FRONT VIEW - 2RU WITH 23" MOUNTING BRACKETS

(96 POS ADAPTER PLATES SHOWN FOR REFERENCE)  
SHOWN WITH FRONT DOOR REMOVED



REAR VIEW

PART LIST		
ITEM	DESCRIPTION	QTY
001	CLAMP YOKE	4
002	GROMMET	2
003	GROMMET	2
004	GROMMET	2
005	GROMMET	2
006	CLAMP COVER	2
007	CLAMP SCREW	4
008	#12 SCREW	4
009	#12 WASHER	8
010	WASHER	4
011	10-32 MACHINE SCREW	2
012	#12 GROUND WASHER	2
013	6-32 SCREW	8
014	CLAMP YOKE	2
015	CABLE CLAMP COVER	1
016	SCREW 6-32X3/4	2
017	CABLE CLAMP BRACKET	1
018	6-32, .250 SCREW PAN	2
019	STANDOFF	2
020	WASHER FLAT 1/4 SS	2
021	NI25-00 1/4-20	2
022	GROUNDING TERMINAL	2
023	SPIRAL WRAP	4FT
024	CABLE SHIELD BRACKET	2
025	VCG	2
026	CABLE SHIELD	2
027	EDGE PROTECTOR	6
028	6-32, .250 SCREW	4

NOTES:

- PANEL CAN BE MOUNTED AT 2", 5" OR 8" DEPTHS IN 19" OR 23" RACKS USING WECO OR EIA PATTERNS.
- REMOVE VERTICAL CABLE GUIDE FOR 2" RECESS MOUNT.
- CABLE CLAMP IS INCLUDED WITH CHASSIS (0.4 - 0.7) O.D.
- POLYCARBONATE FRONT DOOR.
- VCG SYSTEM CAN ONLY BE INSTALLED WHEN THE MOUNTING BRACKETS ARE ON 5" OR 8" POSITIONS.

COMMSCOPE, INC.

© 2016 COMMSCOPE, INC. CONFIDENTIAL NOTICE: THESE DRAWINGS AND SPECIFICATIONS ARE THE PROPRIETARY PROPERTY OF COMMSCOPE, INC. AND MAY BE USED ONLY FOR THE SPECIFIC PURPOSE AUTHORIZED IN WRITING BY COMMSCOPE, INC.		TITLE INSTALLATION DWG FPX, 2RU IFC AFA 12" DEPTH	
ALL DIMS AND TOLERANCES ARE INCHES UNLESS OTHERWISE SPECIFIED	.XX:±.XX .XXX:±.XXX ANGULAR:±N/A	C SIZE	DRAWING NUMBER 300100106858
DO NOT SCALE DRAWING	ENGR: HECTOR UREÑO DWN: ASAHIL SALCEDO	C REV	SHT. 1 OF 3

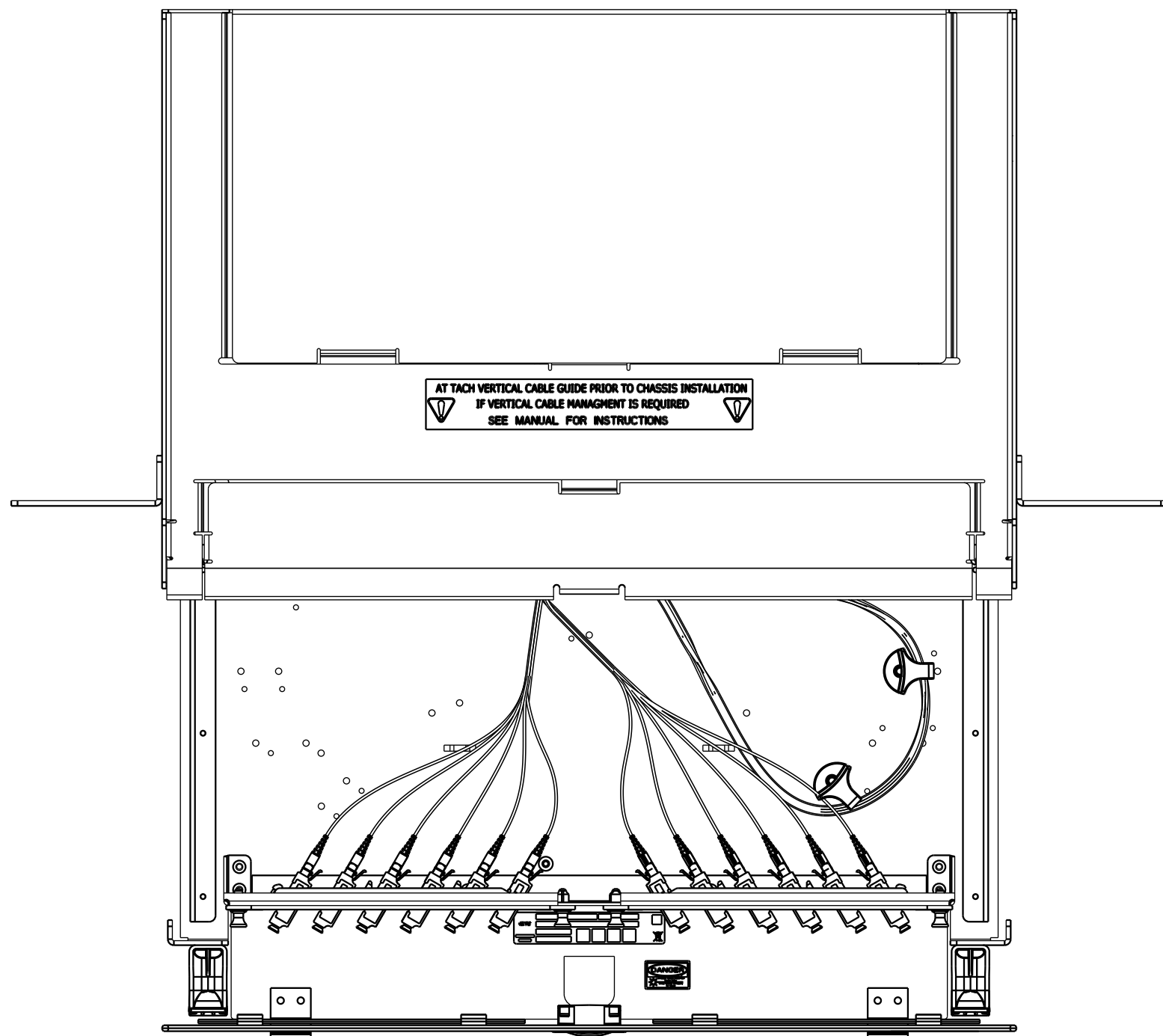
DIMENSIONS IN INCHES  
THIRD ANGLE PROJECTION

A

B

C

D



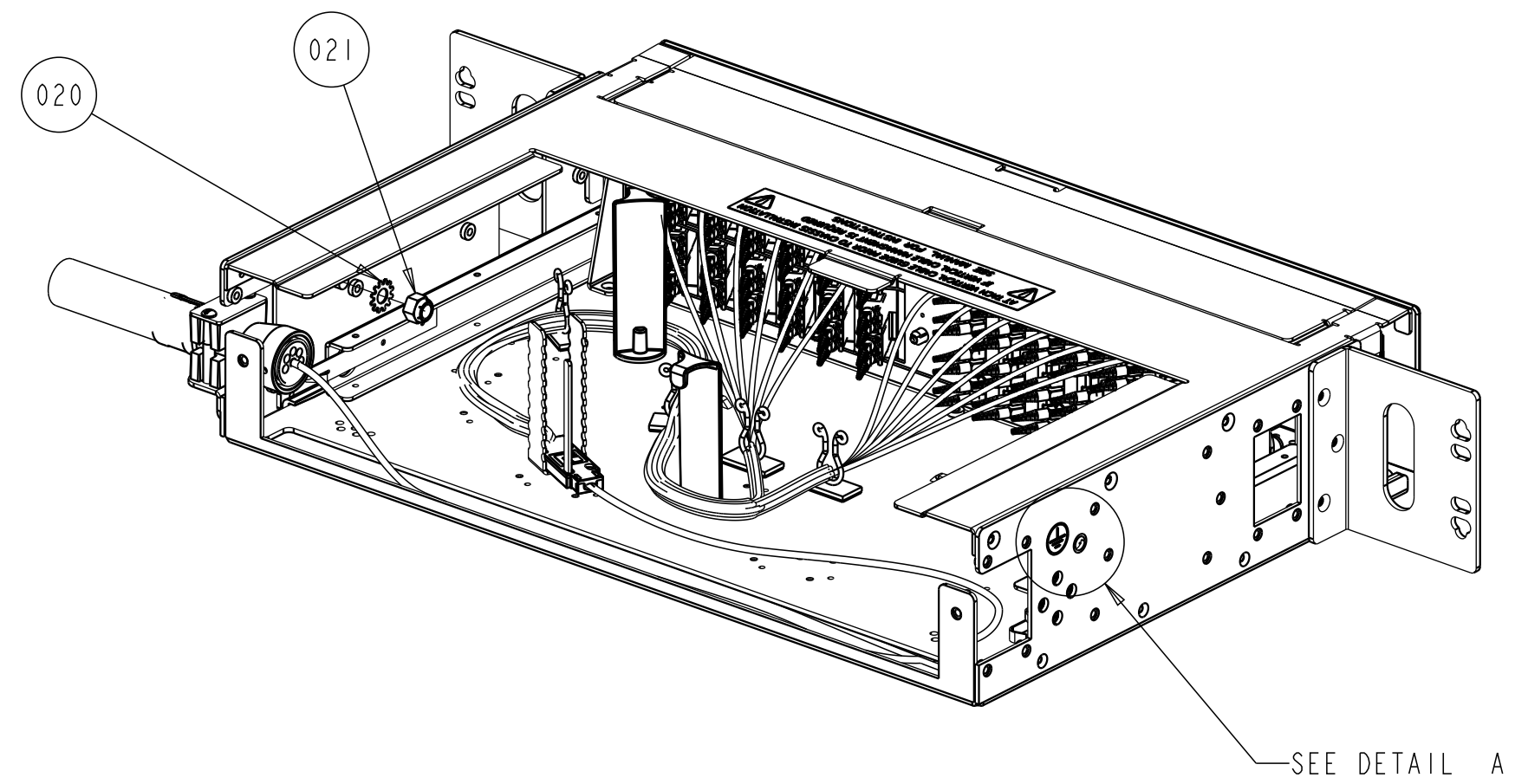
**PANEL GROUNDING**

EACH PANEL HAS A GROUNDING LOCATION MARKED WITH THE STANDARD GROUNDING SYMBOL. THIS LOCATION IS ON THE RIGHT SIDE OF THE PANEL AS SHOWN IN FPX 2RU PANEL DIAGRAM. USE THE TWO #10-32 GROUND SCREWS (ITEM 011) AND TWO #10 STAR WASHERS (ITEM 012) PROVIDED TO CONNECT A #6 COPPER GROUNDING CABLE TO THE PANEL. GROUND THE UNIT TO THE LOCAL FACILITY GROUND BUS PER LOCAL PRACTICE. A TWO-HOLE GROUNDING LUG IS SHOWN IN FIGURE FOR REFERENCE.

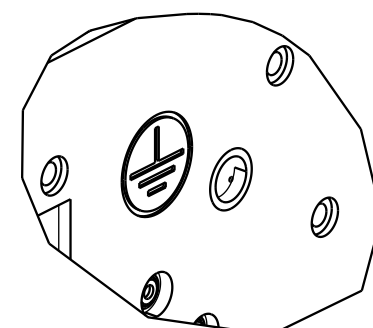
ALL PANEL IS BUILDING WITH SCREWS THREAD-FORMING WITH NIBS IN ORDER TO CUT THE PAINT AND GROUND ALL WALLS OF PANEL.

**NOTES:**

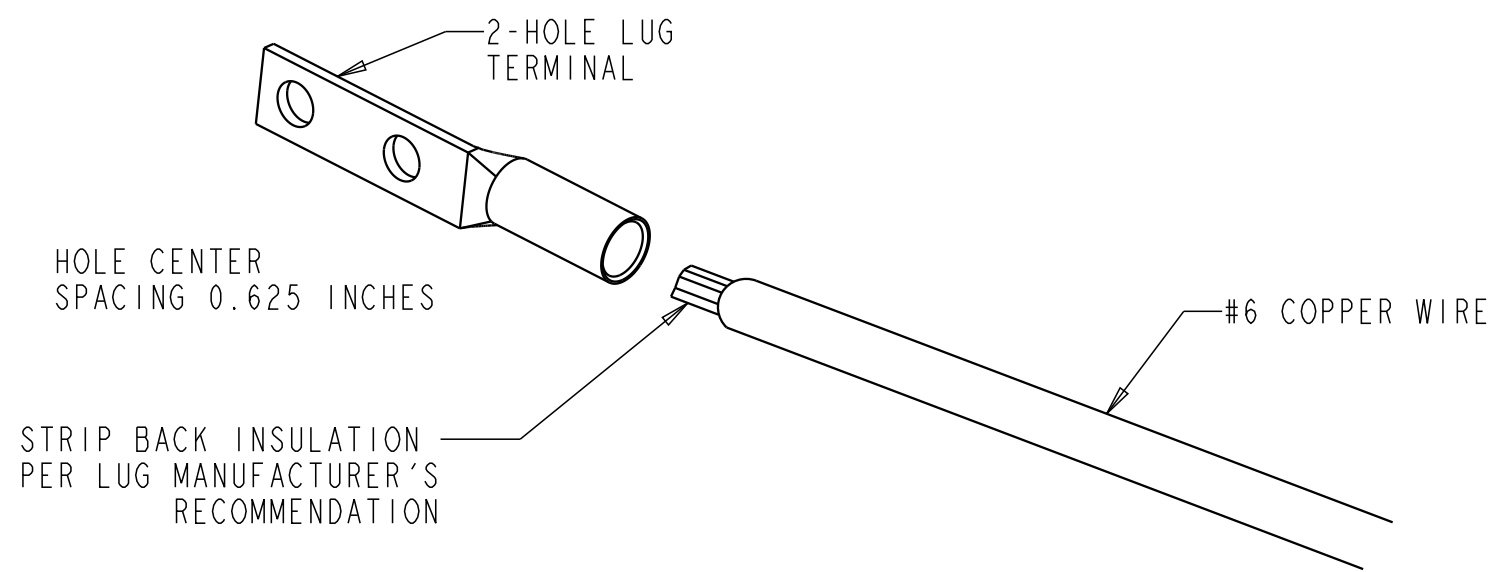
1. GROUND THE UNIT TO THE LOCAL FACILITY CBN (COMMON BONDING NETWORK) OR IBN (ISOLATED BONDING NETWORK) PER LOCAL PRACTICE.
2. GROUND SCREWS ARE TO BE TORQUED AT 40 IN-LIB
3. THE FIBER PANEL NEXT GENERATION IS DESIGNED TO BE INSTALLED IN AN ENVIRONMENTALLY CONTROLLED NETWORK TELECOMMUNICATIONS FACILITY SUCH AS A CENTRAL OFFICE, CONTROLLED ENVIRONMENTAL VAULT, OR DATA CENTER.



**ISO REAR VIEW**  
SHOWN WITH COVERS REMOVED



**DETAIL A**  
SCALE 1:1.000

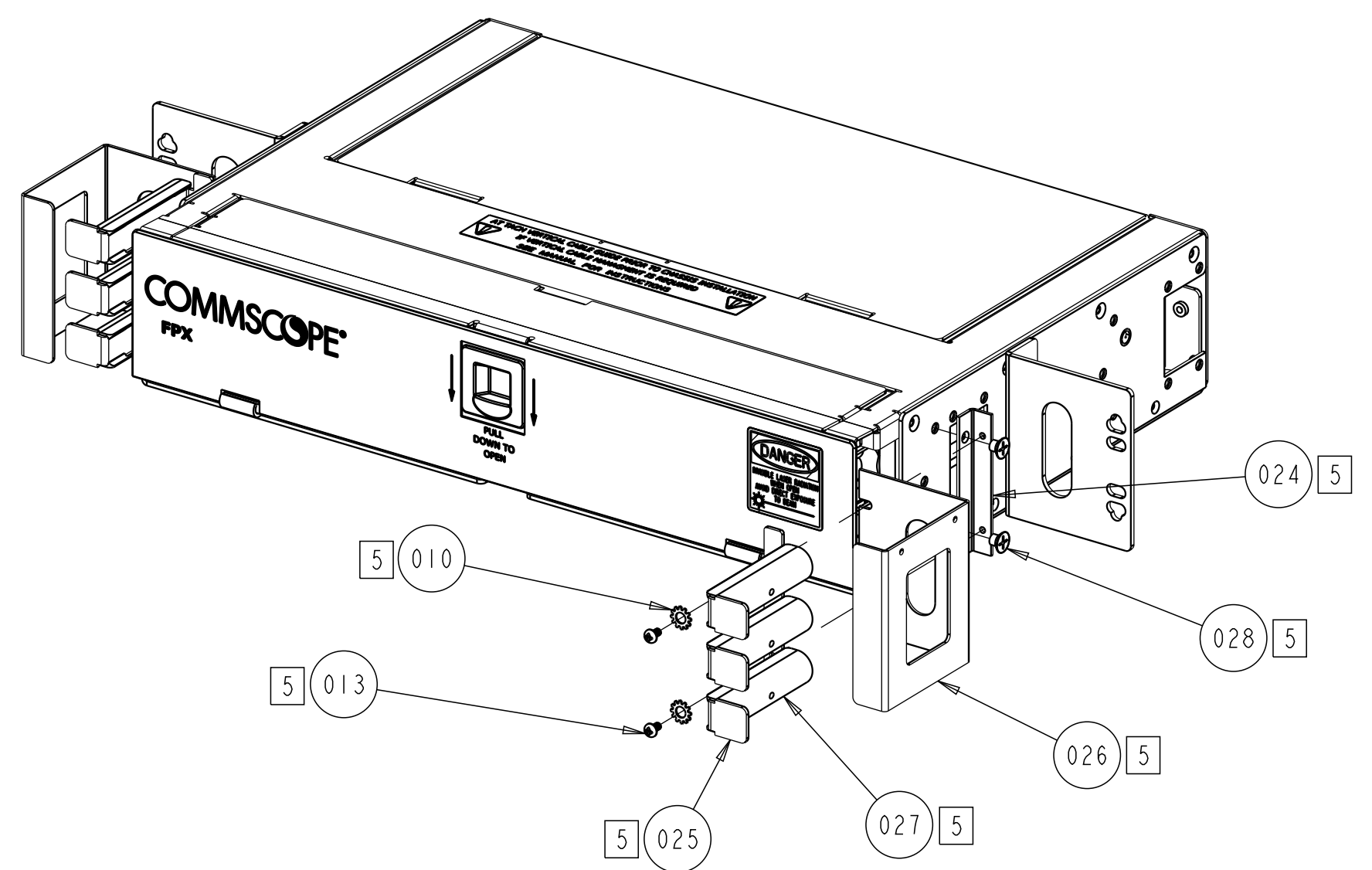
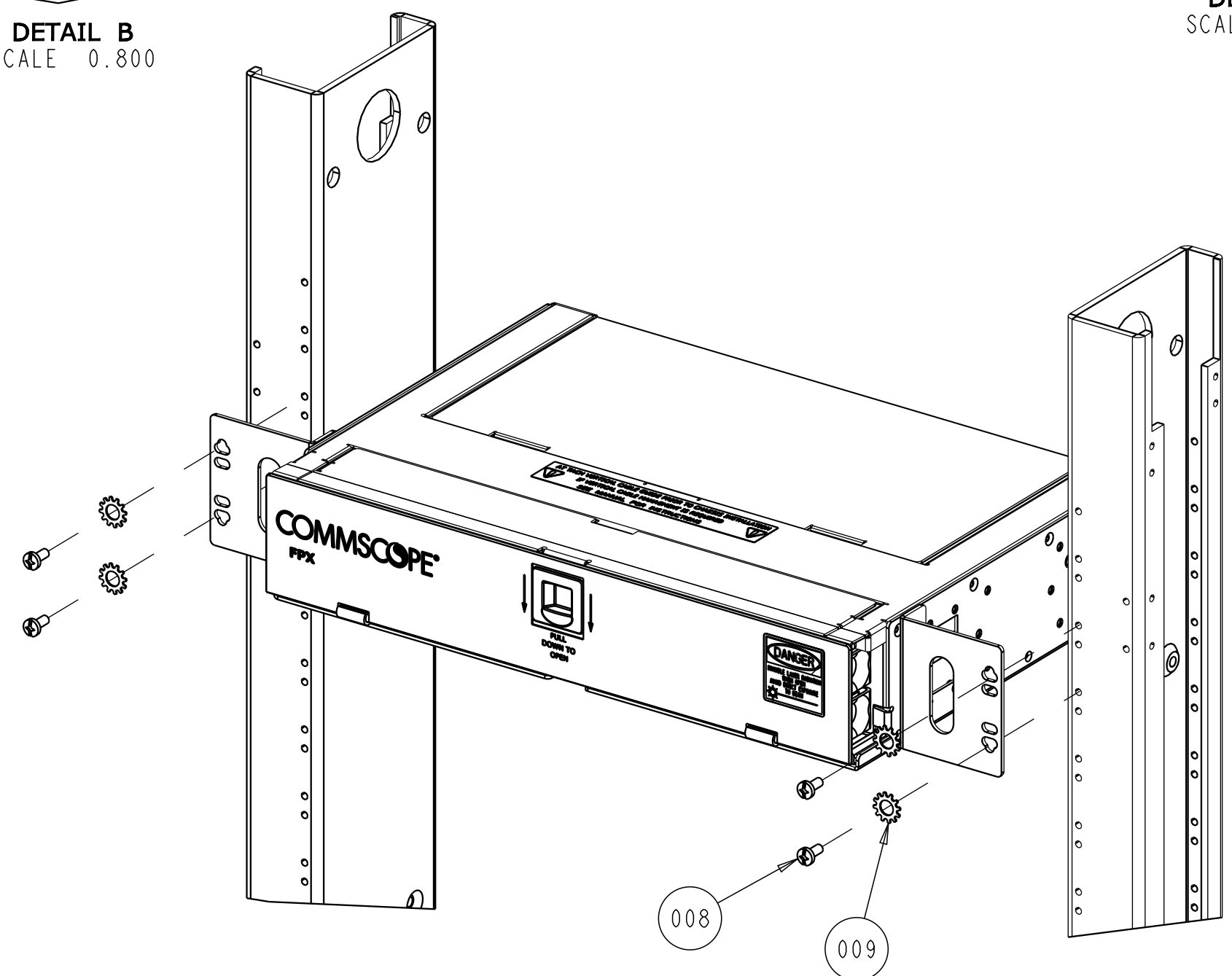
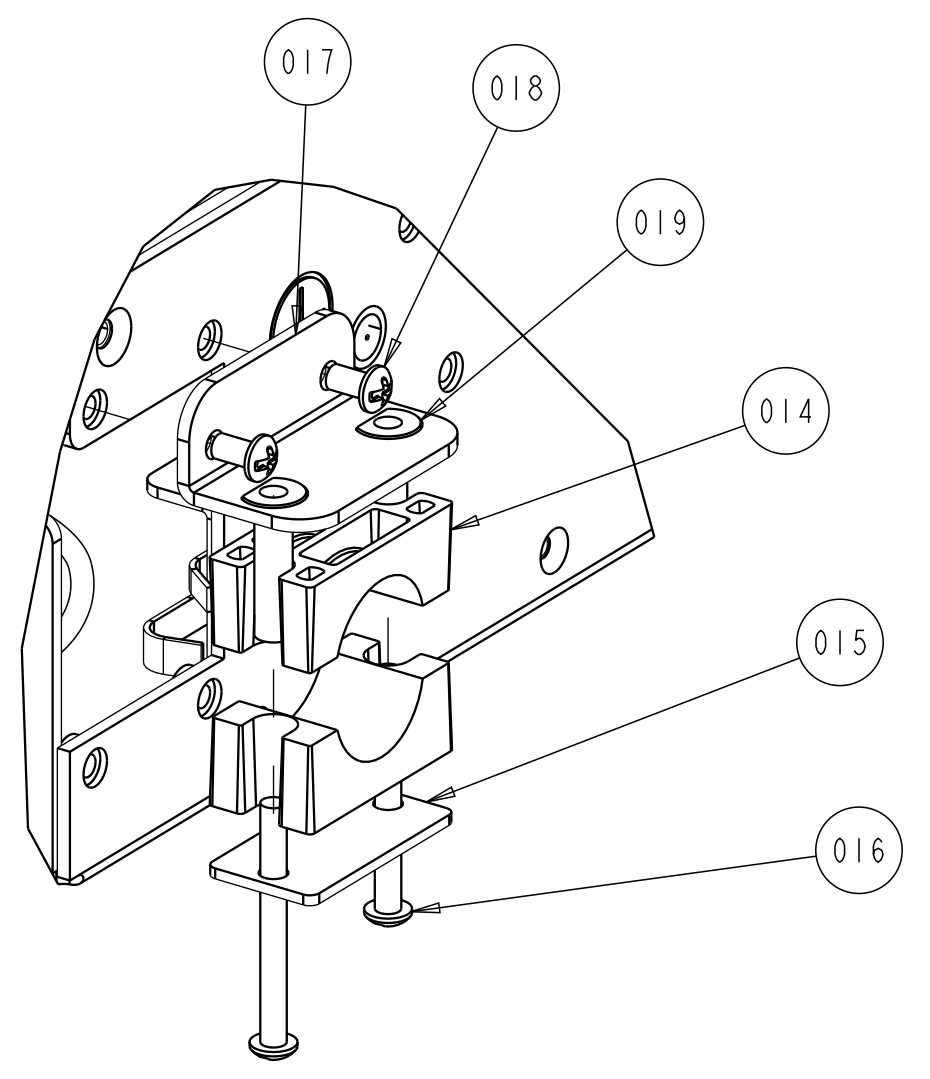
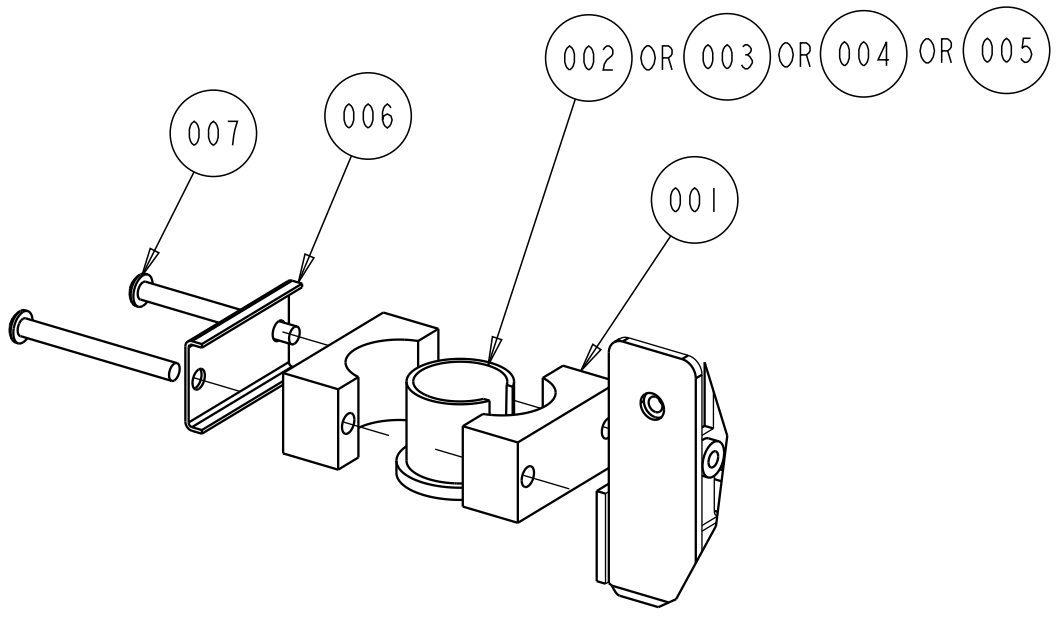
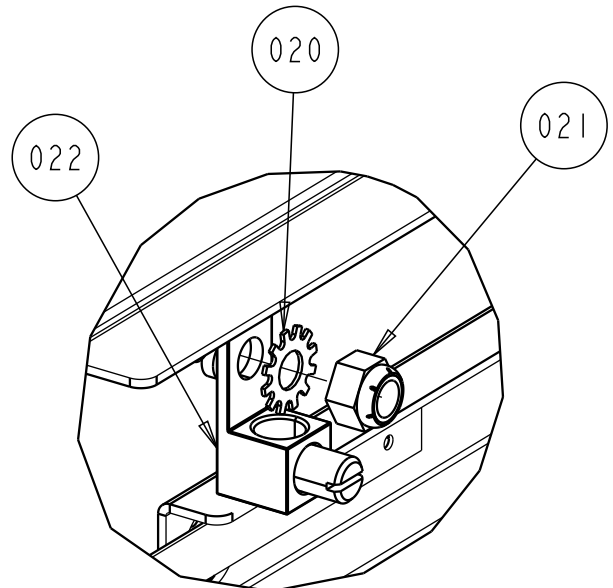
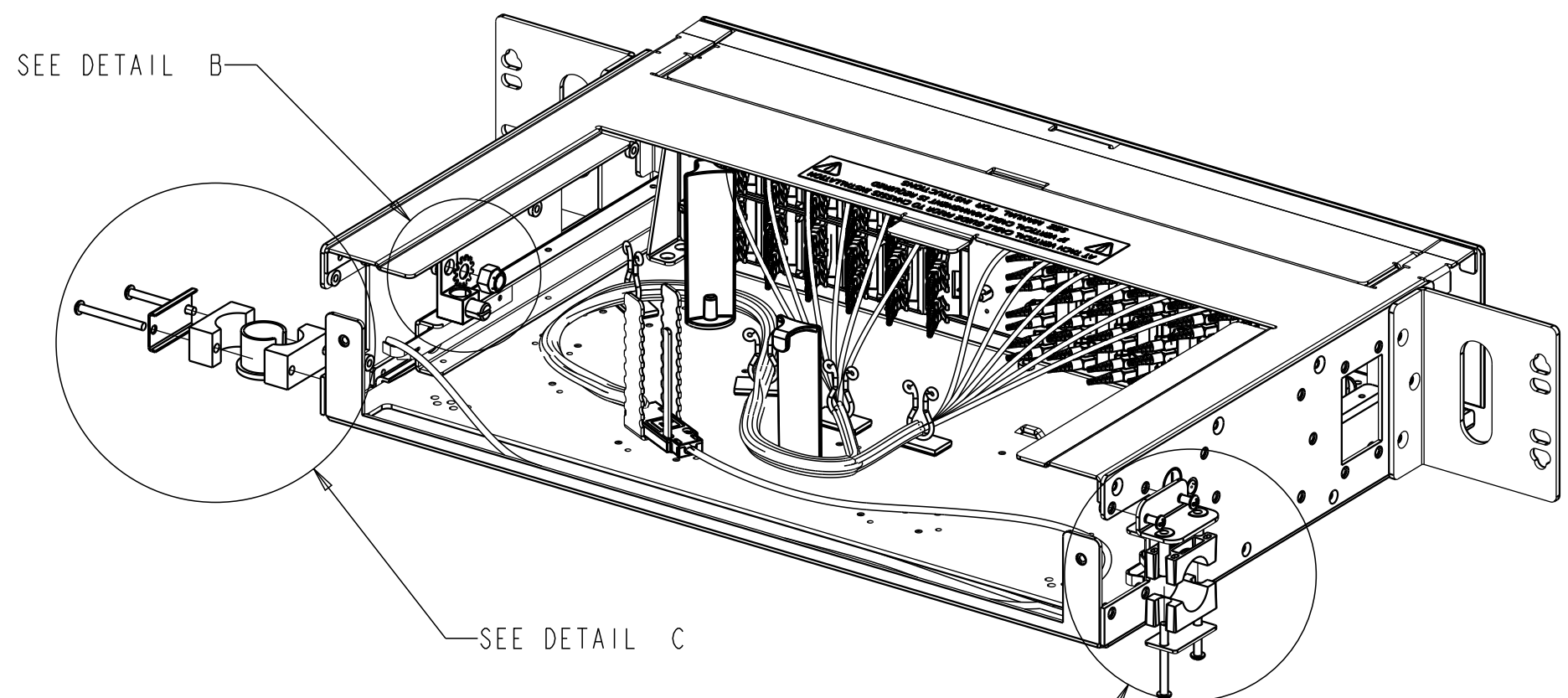


**GROUND CABLE AND 2-HOLE LUG TERMINAL**

**COMMSCOPE, INC.**

© 2016 COMMSCOPE, INC. CONFIDENTIAL NOTICE: THESE DRAWINGS AND SPECIFICATIONS ARE THE PROPRIETARY PROPERTY OF COMMSCOPE, INC. AND MAY BE USED ONLY FOR THE SPECIFIC PURPOSE AUTHORIZED IN WRITING BY COMMSCOPE, INC.		TITLE INSTALLATION DWG FPX, 2RU IFC AFA 12" DEPTH	
ALL DIMS AND TOLERANCES ARE INCHES UNLESS OTHERWISE SPECIFIED	.XX:±.xx .XXX:±.xxx ANGULAR:±N/A	C SIZE	DRAWING NUMBER 300100106858
DO NOT SCALE DRAWING		ENGR: HECTOR UREÑO DWN: ASAHIEL SALCEDO	C REV
		SHT. 2 OF 3	

DIMENSIONS IN INCHES  
THIRD ANGLE PROJECTION



COMMSCOPE, INC.

<small>© 2016 COMMSCOPE, INC. CONFIDENTIAL          NOTICE: THESE DRAWINGS AND SPECIFICATIONS          ARE THE PROPRIETARY PROPERTY OF          COMMSCOPE, INC. AND MAY BE USED ONLY FOR THE          SPECIFIC PURPOSE AUTHORIZED IN WRITING BY          COMMSCOPE, INC.</small>		TITLE INSTALLATION DWG FPX, 2RU IFC AFA 12" DEPTH	
<small>ALL DIMS AND TOLERANCES          ARE INCHES UNLESS          OTHERWISE SPECIFIED</small>	<small>.XX:±xx          .XXX:±xxx          ANGULAR:±N/A</small>	C SIZE DRAWING NUMBER 300100106858	C REV
DO NOT SCALE DRAWING		ENGR: HECTOR UREÑO DWN: ASAHIEL SALCEDO	SHT. 3 OF 3

DIMENSIONS IN INCHES  
THIRD ANGLE PROJECTION