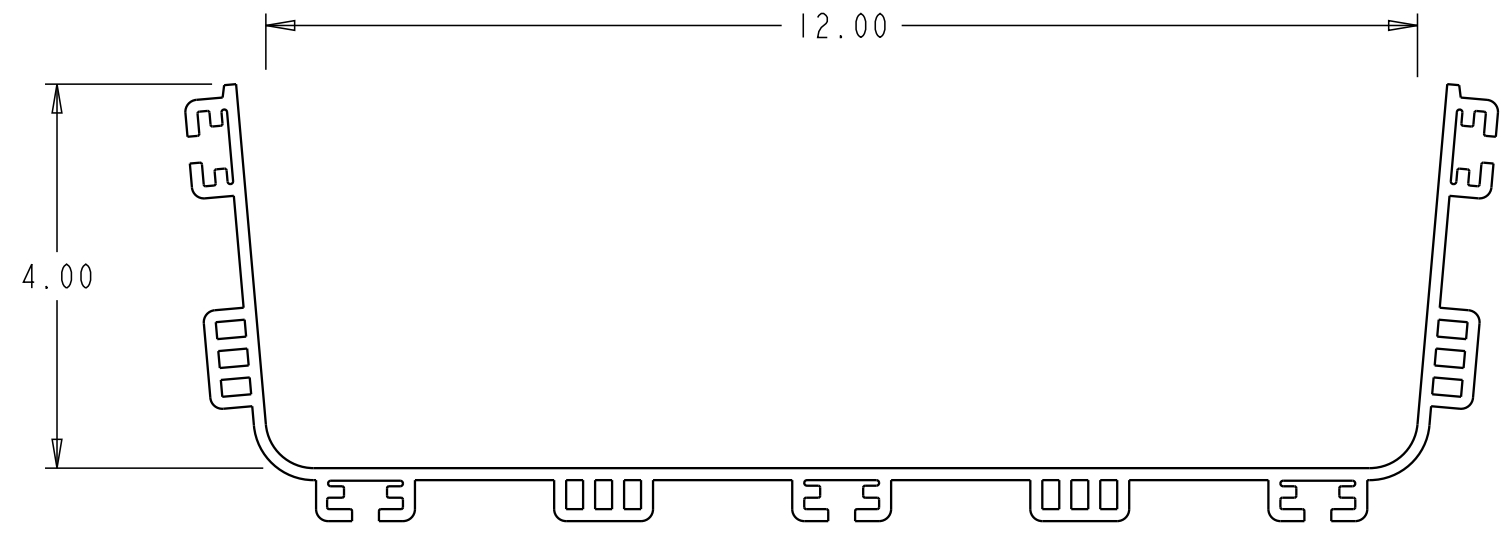
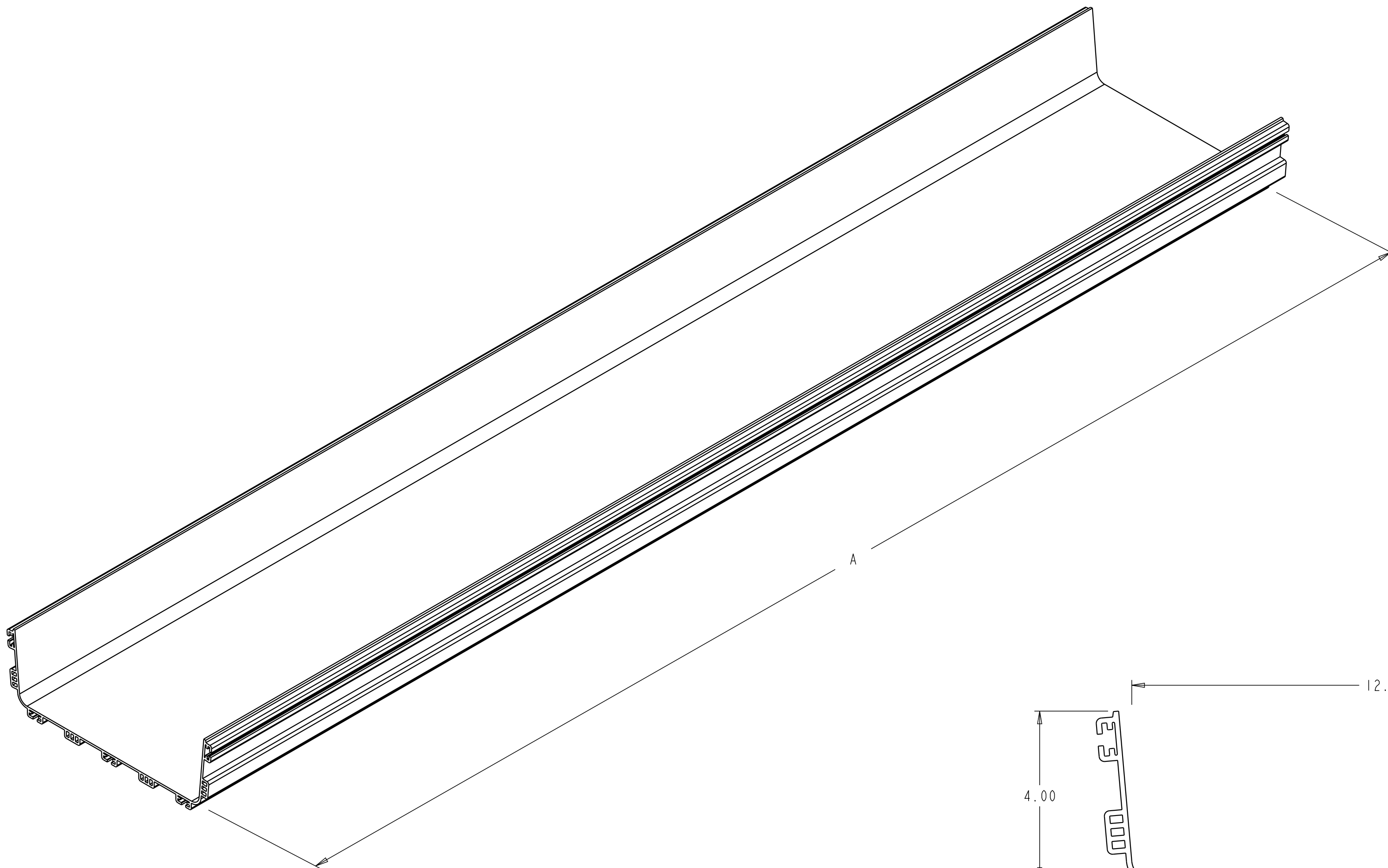


REV	MCO	DWN	DATE
B	40024587MCO	HSM	01-SEP-15
C	8000018631	OAVL	29-DEC-16



NOTES:
 1. MATERIAL IS SELF EXTINGUISHING WITH A UL 94 RATING OF V-0.

FGS-MSHS-FI2	YELLOW	144.00"
FGSB-MSHS-F	BLACK	72.00"
FGS-MSHS-F	YELLOW	72.00"
CATALOG NUMBER	COLOR	DIM A

<small>© 2016 COMMSCOPE, INC. CONFIDENTIAL NOTICE: THESE DRAWINGS AND SPECIFICATIONS ARE THE PROPRIETARY PROPERTY OF COMMSCOPE, INC. AND MAY BE USED ONLY FOR THE SPECIFIC PURPOSE AUTHORIZED IN WRITING BY COMMSCOPE, INC.</small>	TITLE STRAIGHT, 4X12 FT, FGS (INSTALLATION DRW)	
	<small>ALL DIMS AND TOLERANCES ARE INCHES UNLESS OTHERWISE SPECIFIED</small>	C SIZE DRAWING NUMBER 300100107423
DO NOT SCALE DRAWING	ENGR: HECTOR URENO DWN: OMAR A. VALDEZ	SHT. 1 OF 1

COMMSCOPE, INC.



**DIMENSIONS IN INCHES
 THIRD ANGLE PROJECTION**