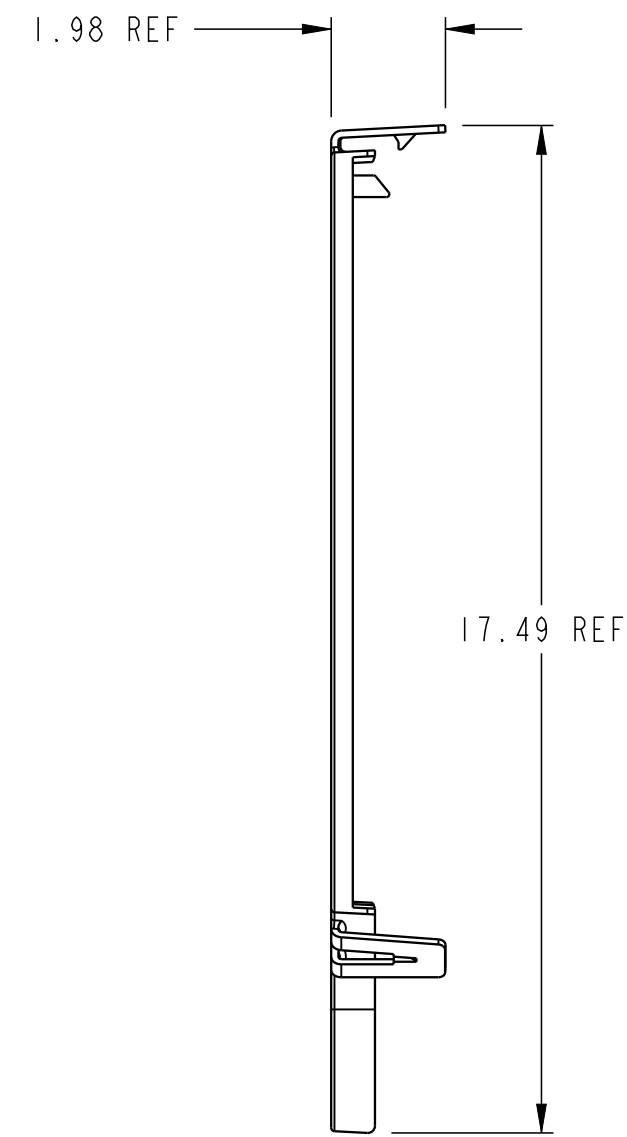
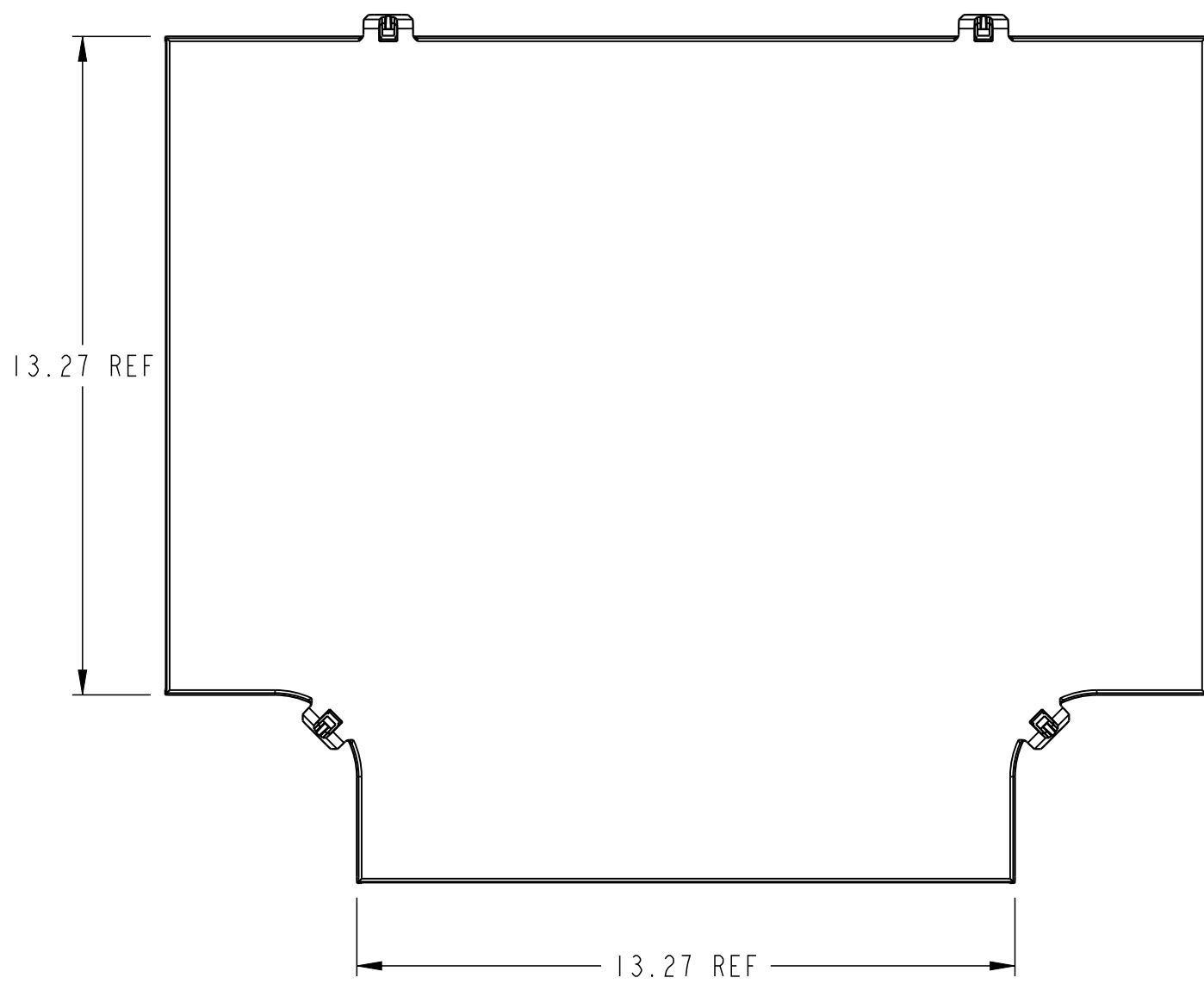
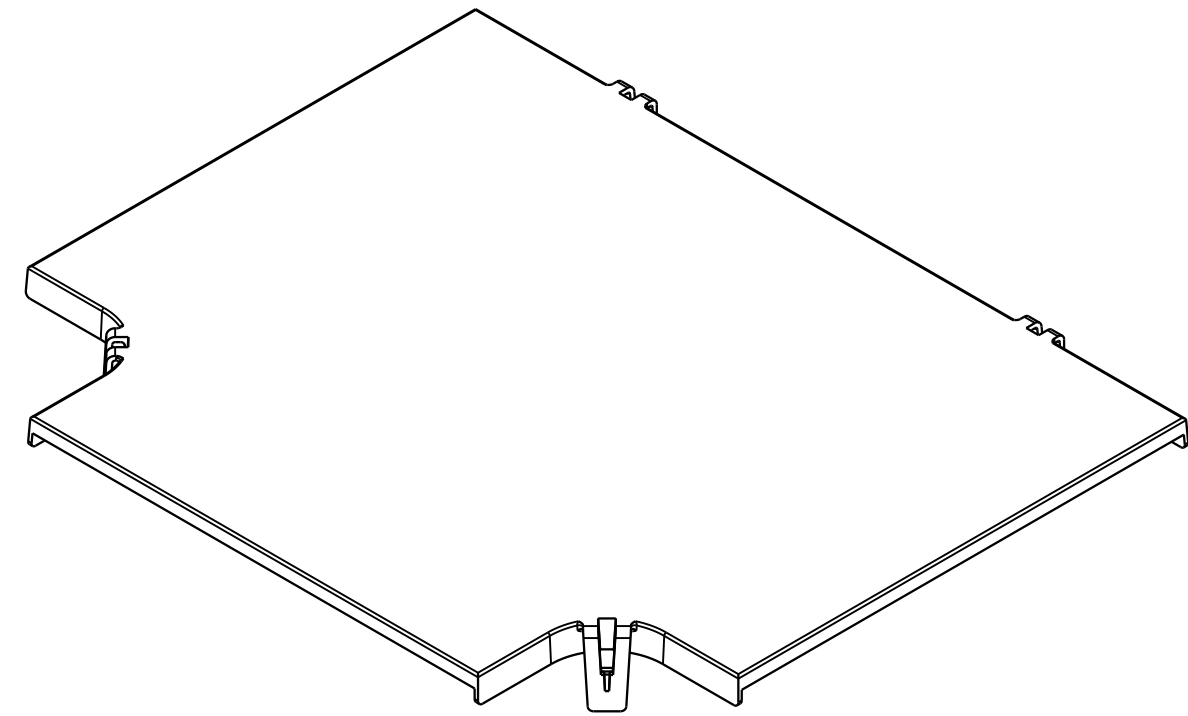


REV.	MCO	DWN	DATE
A	40018453MCO	CA	01-DEC-14
B	40031755MCO	OAVL	24-JUN-16



NOTES:

- MATERIAL IS SELF EXTINGUISHING WITH A UL 94 RATING OF V-0.

COMMSCOPE, INC.

FGSB-SHRT-F	BLACK
FGS-SHRT-F	YELLOW
PRODUCT NUMBER	COLOR

<small>© 2016 COMMSCOPE, INC. CONFIDENTIAL NOTICE: THESE DRAWINGS AND SPECIFICATIONS ARE THE PROPRIETARY PROPERTY OF COMMSCOPE, INC. AND MAY BE USED ONLY FOR THE SPECIFIC PURPOSE AUTHORIZED IN WRITING BY COMMSCOPE, INC.</small>	<small>TITLE</small> COVER, TEE, 4X12 FGS INST DRW	
	<small>ALL DIMS AND TOLERANCES ARE INCHES UNLESS OTHERWISE SPECIFIED</small>	<small>DRAWING NUMBER</small> 300100107429
<small>DO NOT SCALE DRAWING</small>	<small>ENGR: HECTOR URENO DWN: CARLOS ARROYO</small>	<small>SHT. 1 OF 2</small>

DIMENSIONS IN INCHES
 THIRD ANGLE PROJECTION

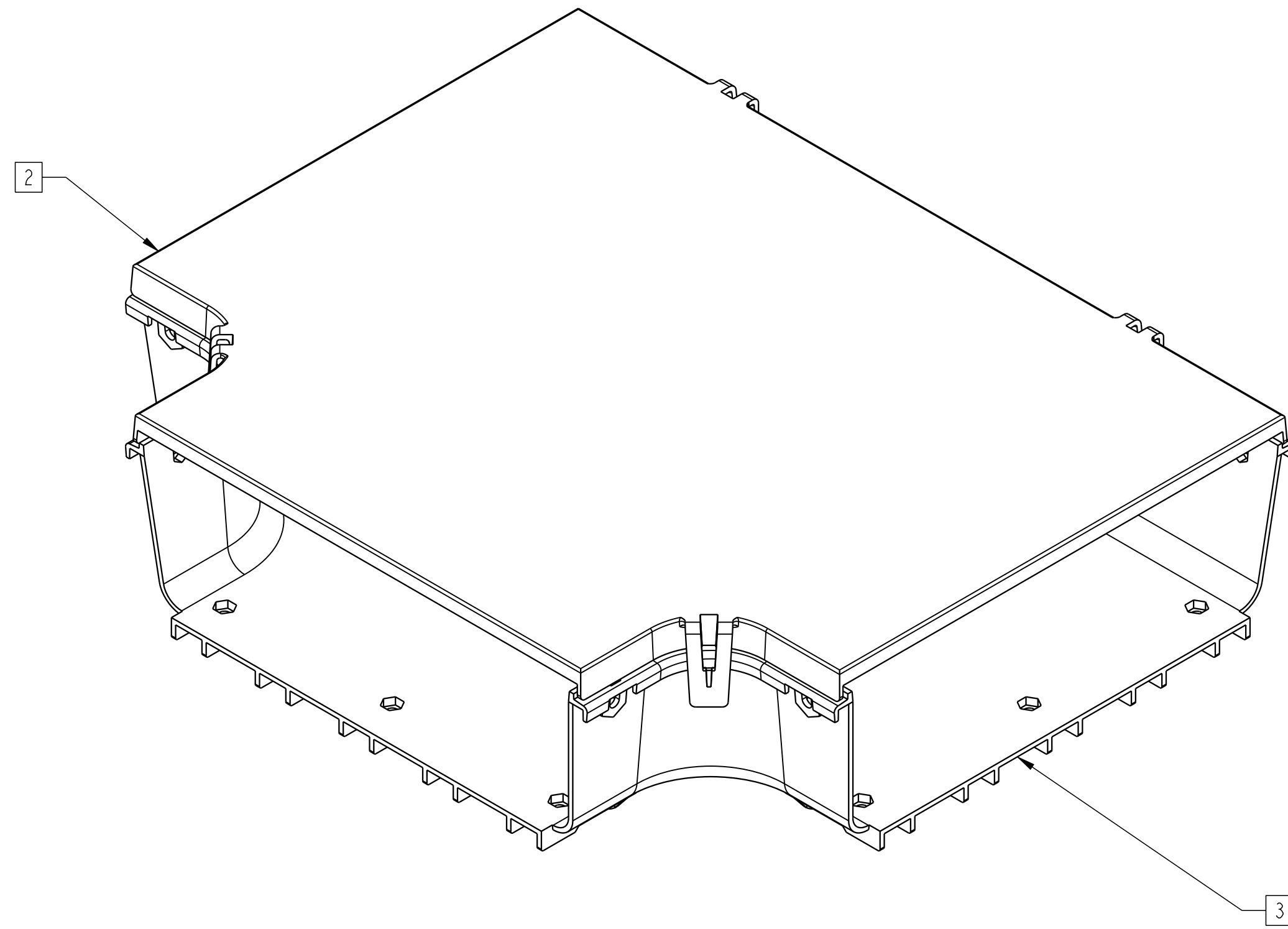
A

B

C

D

COVER ASSEMBLY

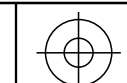


NOTES:

- 2 PLACE THE COVER ON THE TEE AND APPLY PRESSURE UNTIL THE CLIP SECURES THE COVER IN PLACE.
- 3 NOT INCLUDED WITH KIT.

COMMSCOPE, INC.

<small>© 2016 COMMSCOPE, INC. CONFIDENTIAL NOTICE: THESE DRAWINGS AND SPECIFICATIONS ARE THE PROPRIETARY PROPERTY OF COMMSCOPE, INC. AND MAY BE USED ONLY FOR THE SPECIFIC PURPOSE AUTHORIZED IN WRITING BY COMMSCOPE, INC.</small>		TITLE COVER, TEE, 4X12 FGS INST DRW	
<small>ALL DIMS AND TOLERANCES ARE INCHES UNLESS OTHERWISE SPECIFIED</small>		C SIZE	DRAWING NUMBER 300100107429
DO NOT SCALE DRAWING		ENGR: HECTOR URENO DWN: CARLOS ARROYO	B REV SHT. 2 OF 2



DIMENSIONS IN INCHES
THIRD ANGLE PROJECTION

A

B

C

1

2

3

4

1

2

3

4