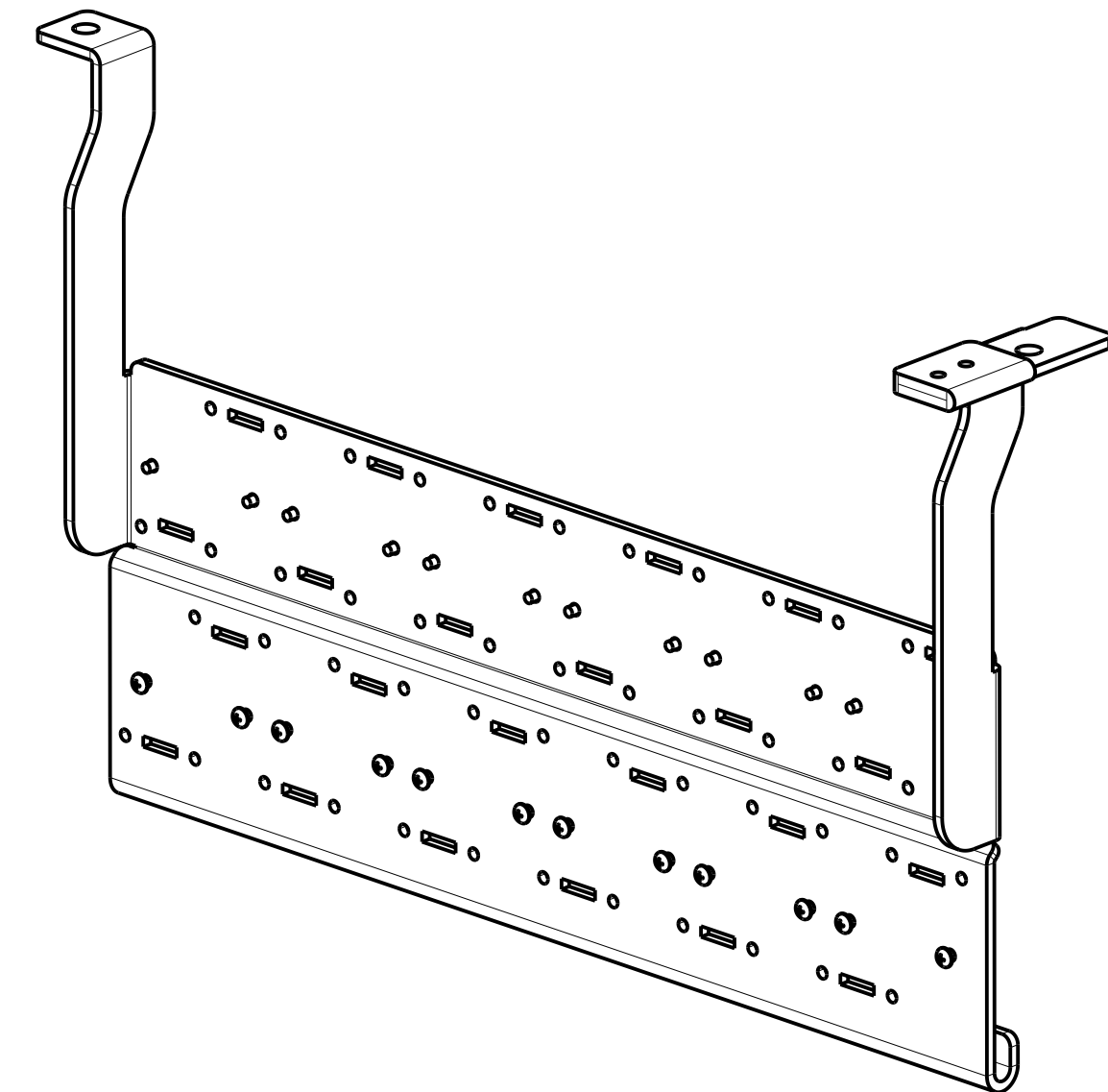
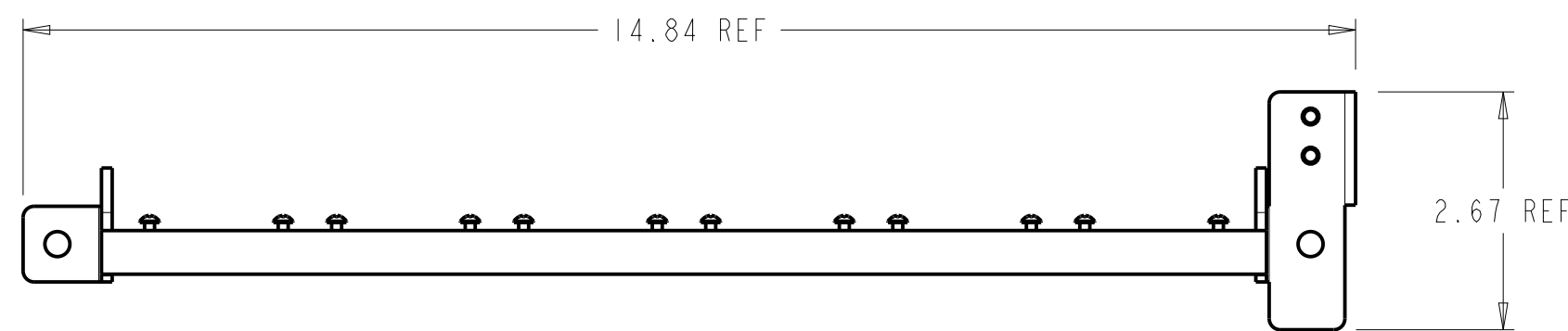
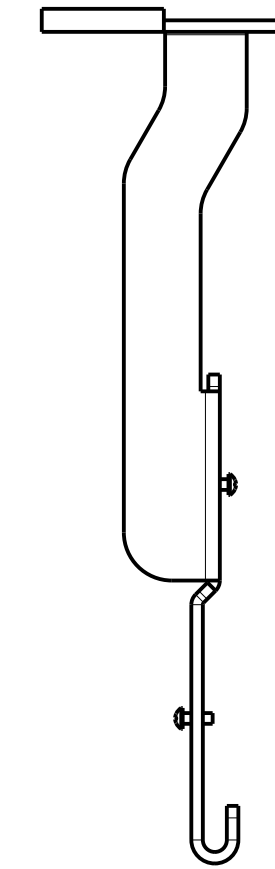
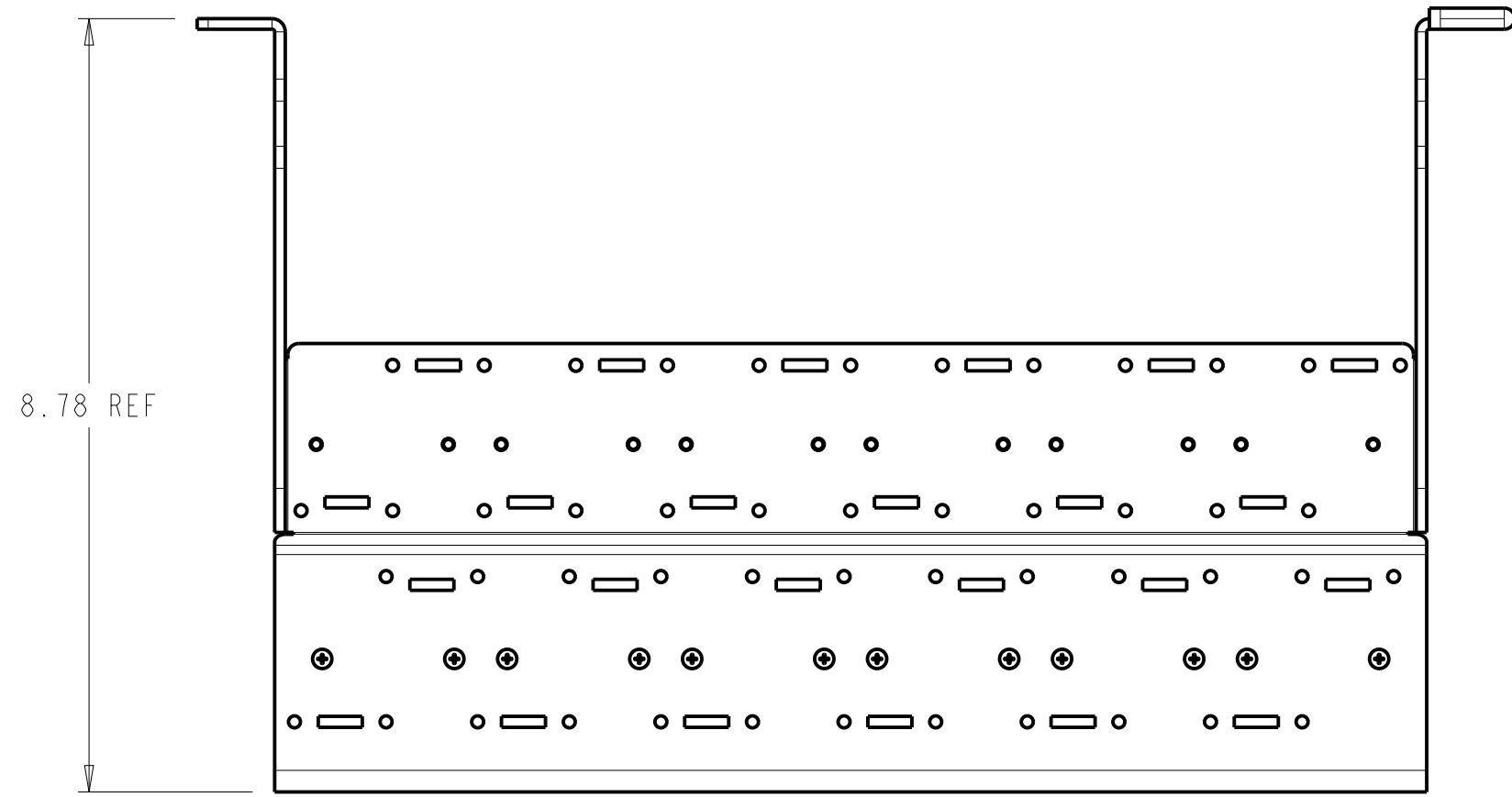


REV	MCO	DWN	DATE
C	20343211	JCA	15-JUL-13
D	8000019180	SC	18-JAN-17



CATALOG #: NG4-ACCRFCLMP1
 CATALOG #: NG4-ACCRFCLMP3

*REFERENCE USER MANUAL: TECP-90-708
 FOR ADDITIONAL ASSISTANCE.

NOTES:

1. KIT CONTAINS CLAMP BRACKET AND CLAMPS. SEE SHEETS 5-6 FOR COMPLETE PARTS LISTS.

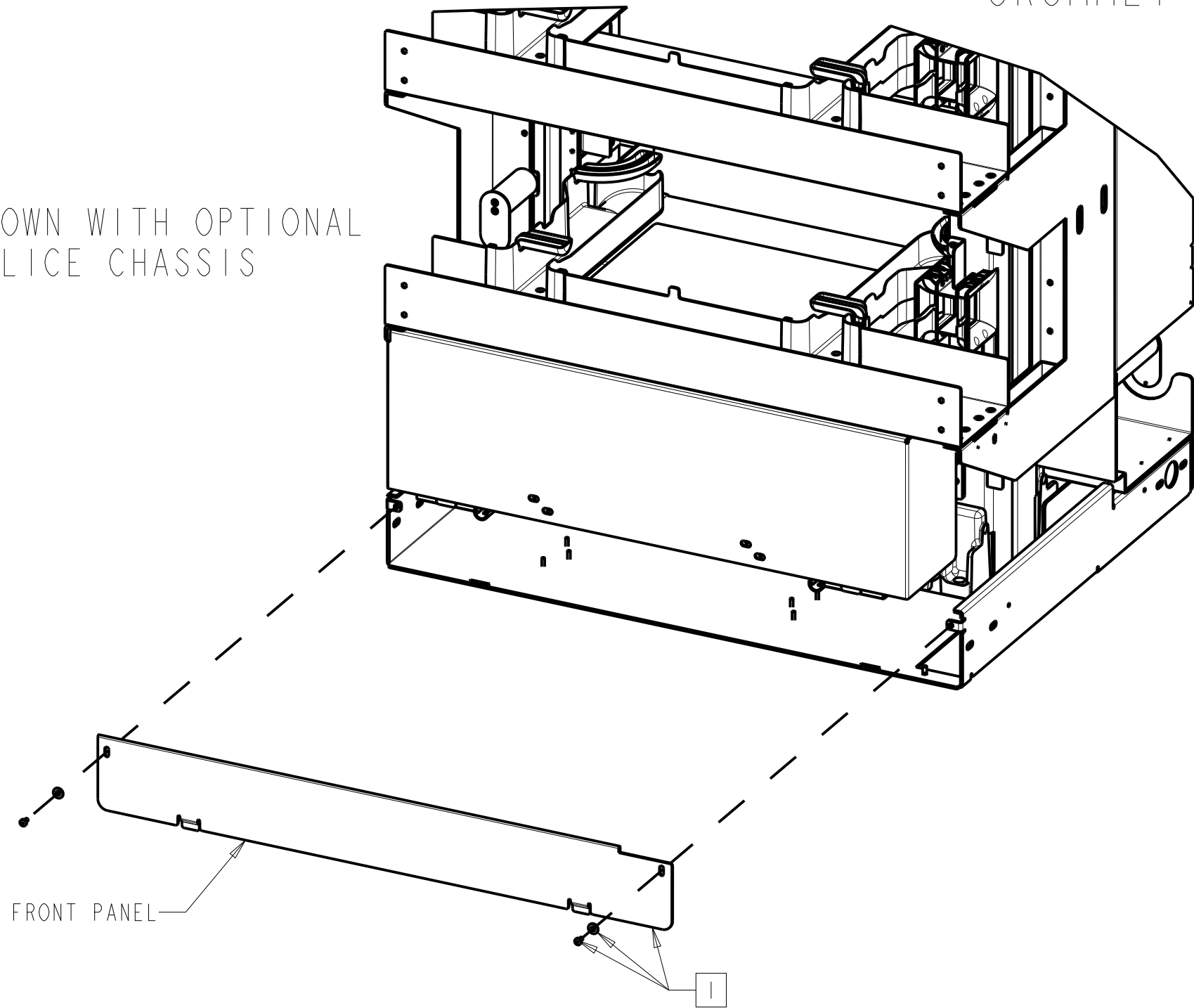
COMMSCOPE, INC.

<small>© 2016 COMMSCOPE, INC. CONFIDENTIAL NOTICE: THESE DRAWINGS AND SPECIFICATIONS ARE THE PROPRIETARY PROPERTY OF COMMSCOPE, INC. AND MAY BE USED ONLY FOR THE SPECIFIC PURPOSE AUTHORIZED IN WRITING BY COMMSCOPE, INC.</small>		TITLE INST DWG, RAISED FLR, CABLE CLAMP, NG4	
<small>ALL DIMS AND TOLERANCES .XX:±N/A ARE INCHES UNLESS .XXX:±N/A OTHERWISE SPECIFIED ANGULAR:±N/A</small>		C SIZE	DRAWING NUMBER 300001764138
DO NOT SCALE DRAWING		ENGR: SCOTT SIEVERS DWN: P. RUDENICK	SHT. 1 OF 8

DIMENSIONS IN INCHES
 THIRD ANGLE PROJECTION

RAISED FLOOR REMOVED FOR CLARITY
 BOTH STANDARD AND LARGE CABLE
 GROMMET INSTALLATION

SHOWN WITH OPTIONAL
 SPLICE CHASSIS



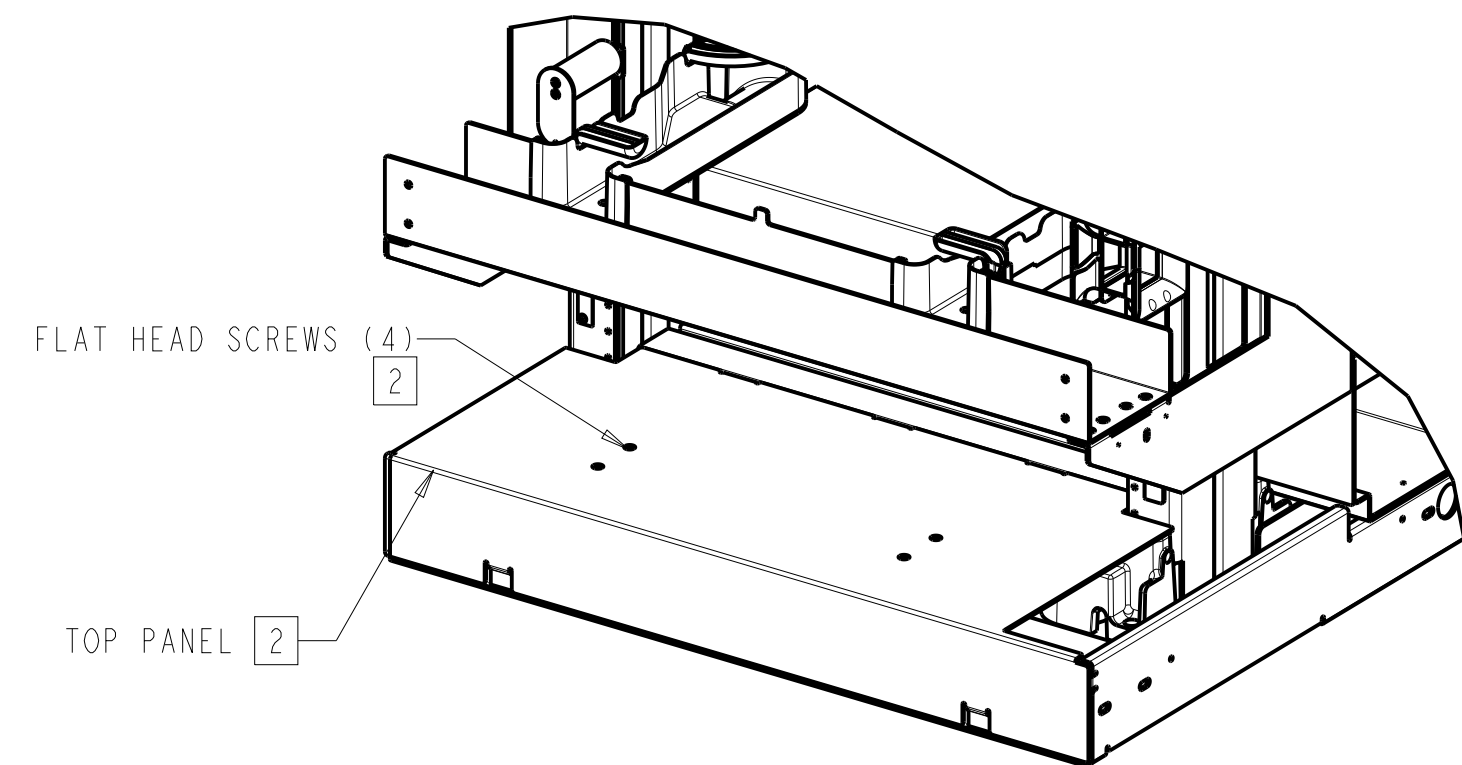
FRONT PANEL

3 SPLICE CHASSIS

NOTES:

- 1 REMOVE FRONT PLATE AND TWO #8 PAN HEAD SCREWS AND TWO STAR WASHERS SET ASIDE. WHEN FINISHED LOADING THE CABLE CLAMP ASSEMBLIES REATTACH.
- 2 REMOVE THE (4) FLAT HEAD SCREWS AND THE TOP PANEL. WHEN FINISHED LOADING THE CABLE CLAMP ASSEMBLIES REATTACH.
- 3 SLIDE SPLICE CHASSIS OUT (IF APPLICABLE) FOR ADDITIONAL ACCESS WHEN ASSEMBLING THE CABLE CLAMP BRACKET.

STANDARD RACK:
 SHOWN WITHOUT OPTIONAL
 SPLICE CHASSIS



FLAT HEAD SCREWS (4)

TOP PANEL

COMMSCOPE, INC.

© 2016 COMMSCOPE, INC. CONFIDENTIAL
 NOTICE: THESE DRAWINGS AND SPECIFICATIONS
 ARE THE PROPRIETARY PROPERTY OF
 COMMSCOPE, INC. AND MAY BE USED ONLY FOR THE
 SPECIFIC PURPOSE AUTHORIZED IN WRITING BY
 COMMSCOPE, INC.

TITLE INST DWG, RAISED FLR,
 CABLE CLAMP,
 NG4

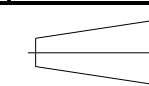
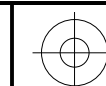
ALL DIMS AND TOLERANCES .XX:±N/A
 ARE INCHES UNLESS .XXX:±N/A
 OTHERWISE SPECIFIED ANGULAR:±N/A

C SIZE DRAWING NUMBER
 300001764138 D REV

DO NOT SCALE DRAWING

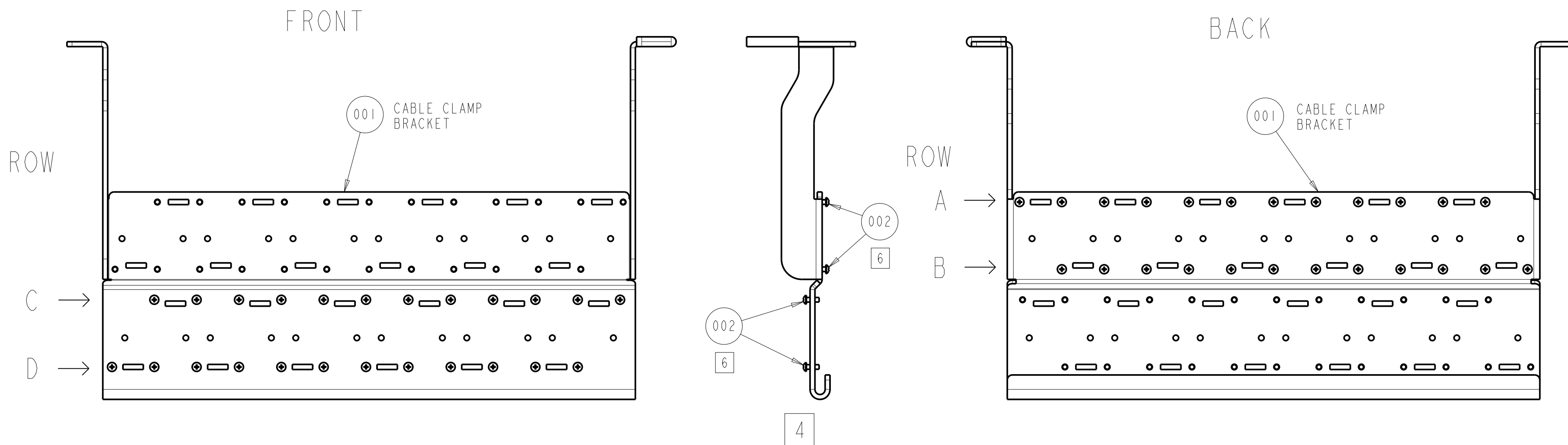
ENGR: SCOTT SIEVERS
 DWN: P. RUDENICK

SHT. 2 OF 8

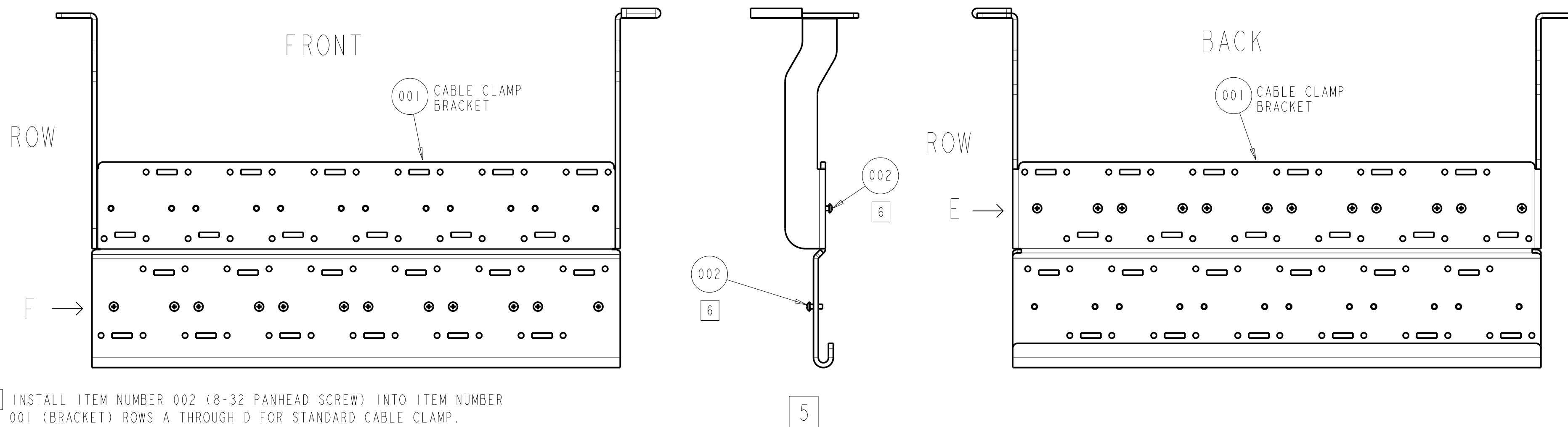


DIMENSIONS IN INCHES
 THIRD ANGLE PROJECTION

STANDARD CABLE GROMMET



LARGE CABLE GROMMET



4 INSTALL ITEM NUMBER 002 (8-32 PANHEAD SCREW) INTO ITEM NUMBER 001 (BRACKET) ROWS A THROUGH D FOR STANDARD CABLE CLAMP. DO NOT TIGHTEN ALL THE WAY DOWN. ALLOW SUFFICIENT SPACE BETWEEN SCREW HEAD AND BRACKET AS ITEM 003 WILL BE INSERTED IN FUTURE STEP.

5 INSTALL ITEM NUMBER 002 (8-32 PANHEAD SCREW) INTO ITEM NUMBER 001 (BRACKET) ROWS E AND F FOR LARGE CABLE CLAMPS. DO NOT TIGHTEN ALL THE WAY DOWN. ALLOW SUFFICIENT SPACE BETWEEN SCREW HEAD AND BRACKET AS ITEM 003 WILL BE INSERTED IN FUTURE STEP.

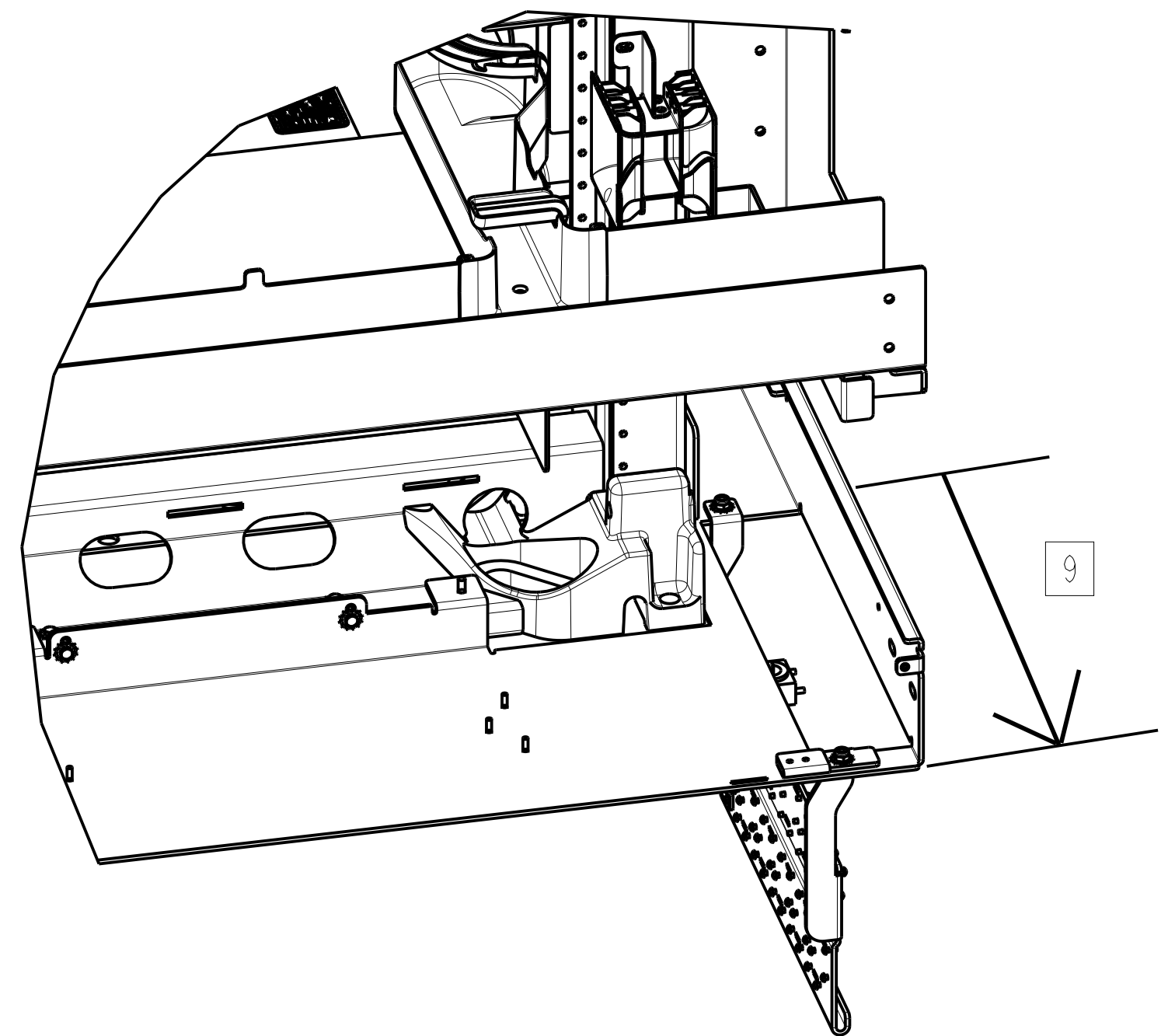
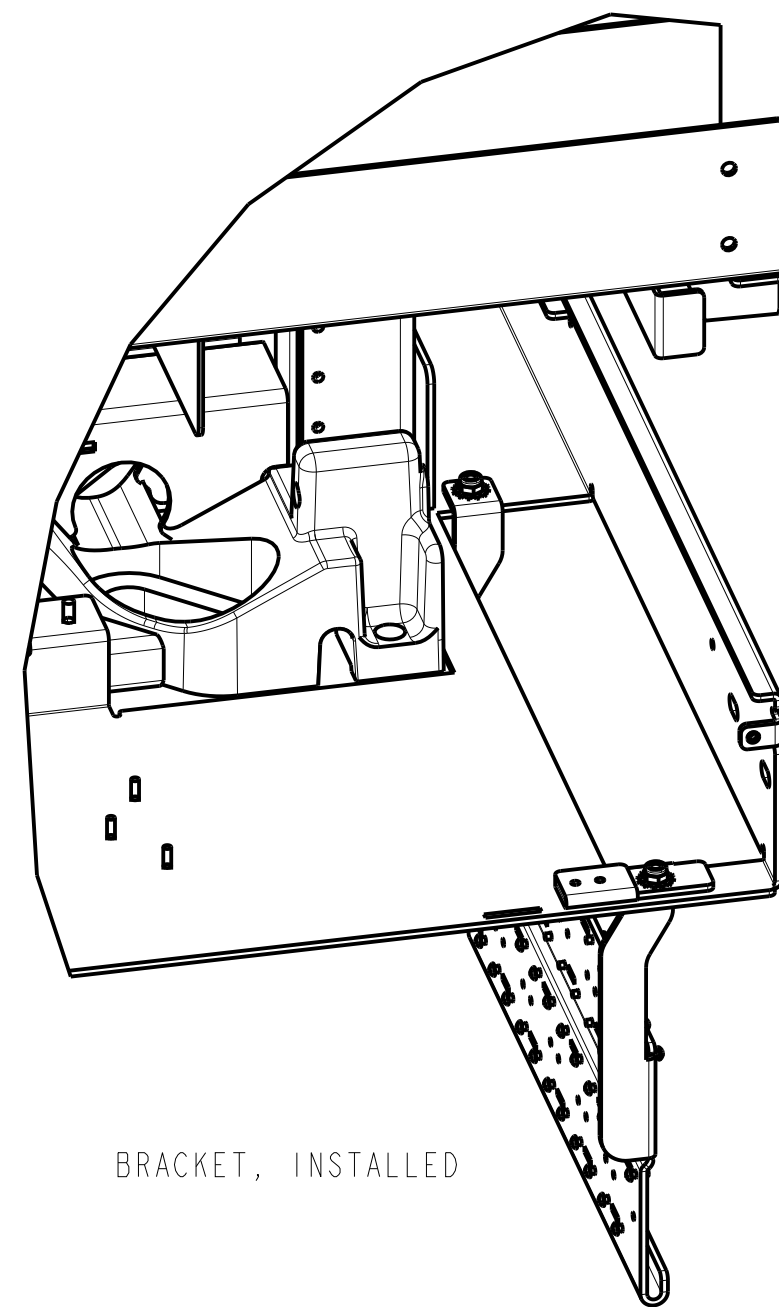
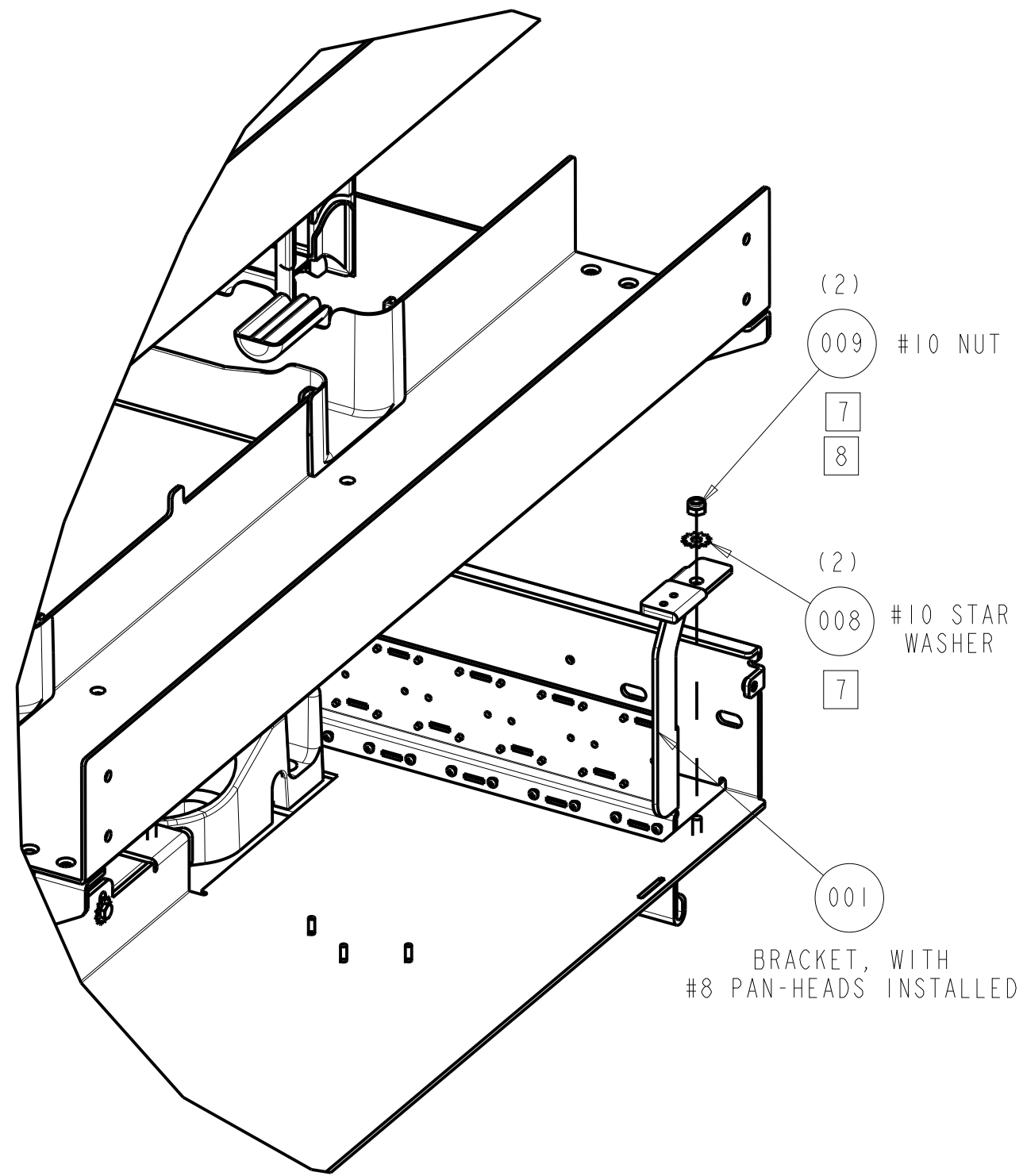
6 INSTALL ITEM 002 (#8-32 PAN-HEAD SCREW) FROM SIDE INDICATED.

COMMSCOPE, INC.

© 2016 COMMSCOPE, INC. CONFIDENTIAL NOTICE: THESE DRAWINGS AND SPECIFICATIONS ARE THE PROPRIETARY PROPERTY OF COMMSCOPE, INC. AND MAY BE USED ONLY FOR THE SPECIFIC PURPOSE AUTHORIZED IN WRITING BY COMMSCOPE, INC.		TITLE INST DWG, RAISED FLR, CABLE CLAMP, NG4	
ALL DIMS AND TOLERANCES ARE INCHES UNLESS OTHERWISE SPECIFIED	.XX:±N/A .XXX:±N/A ANGULAR:±N/A	C SIZE	DRAWING NUMBER 300001764138
DO NOT SCALE DRAWING		ENGR: SCOTT SIEVERS DWN: P. RUDENICK	D REV SHT. 3 OF 8

DIMENSIONS IN INCHES
THIRD ANGLE PROJECTION

RAISED FLOOR REMOVED FOR CLARITY
 BOTH STANDARD AND LARGE CABLE
 GROMMET INSTALLATION
 SPLICE CHASSIS REMOVED FOR CLARITY



- 7 INSTALL ITEM NUMBER 001 (BRACKET) WITH ITEM 002 INSTALLED. ATTACH TO RACK WITH ITEM NUMBER 008 (#10 STAR WASHER) QTY:2 AND ITEM NUMBER 009 (#10 NUT) QTY:2.
- 8 TIGHTEN TO 16 IN LBS (1.8 NEWTON METERS).
- 9 PULL CABLE UP THRU THE CABLE BRACKET AREA. WHEN INSTALLING THE CABLES, START TOWARDS THE MIDDLE OF THE RACK AND WORK YOUR WAY TO THE REAR. FOR THE LAST TWO (LARGE ONLY) CLAMP ASSEMBLY'S, THE GROMMET HARDWARE MAY NEED TO BE ASSEMBLED BELOW THE RISER FLOOR.

COMMSCOPE, INC.

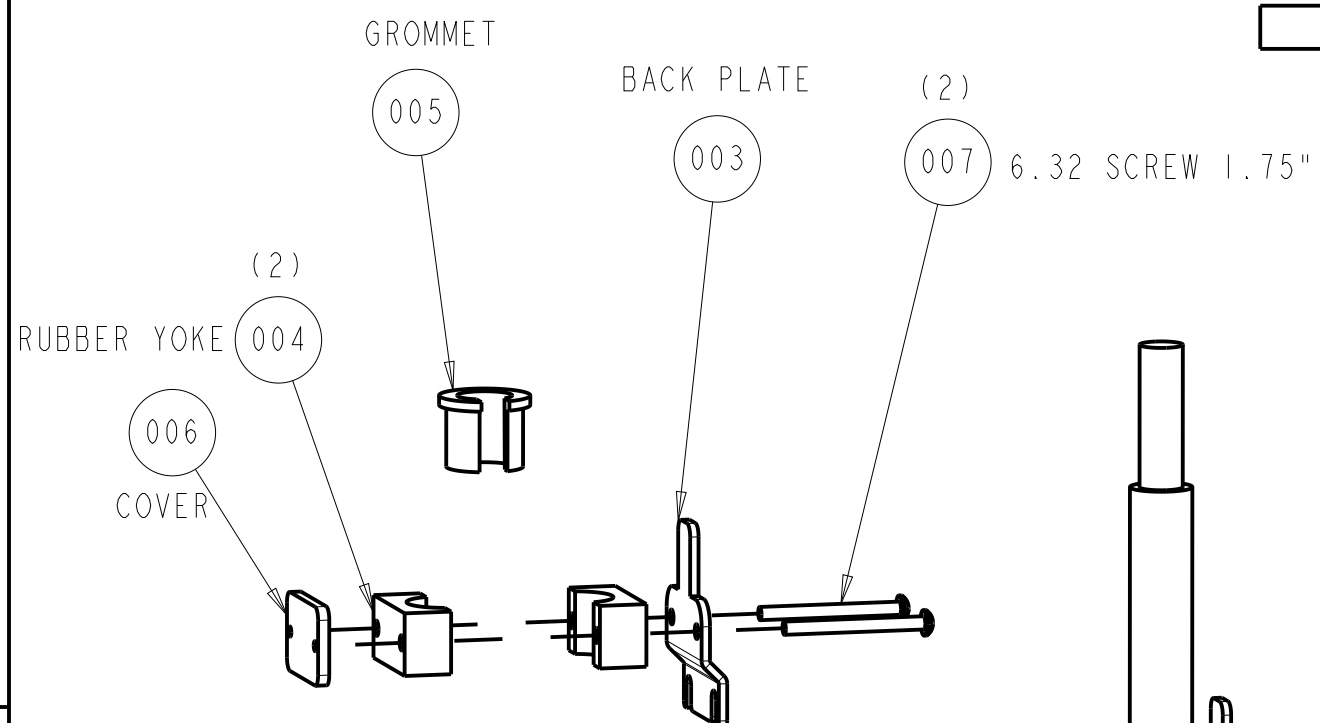
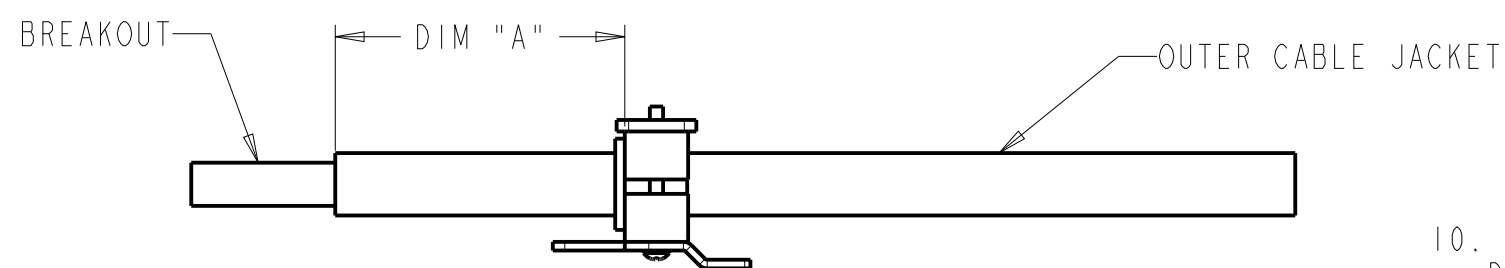
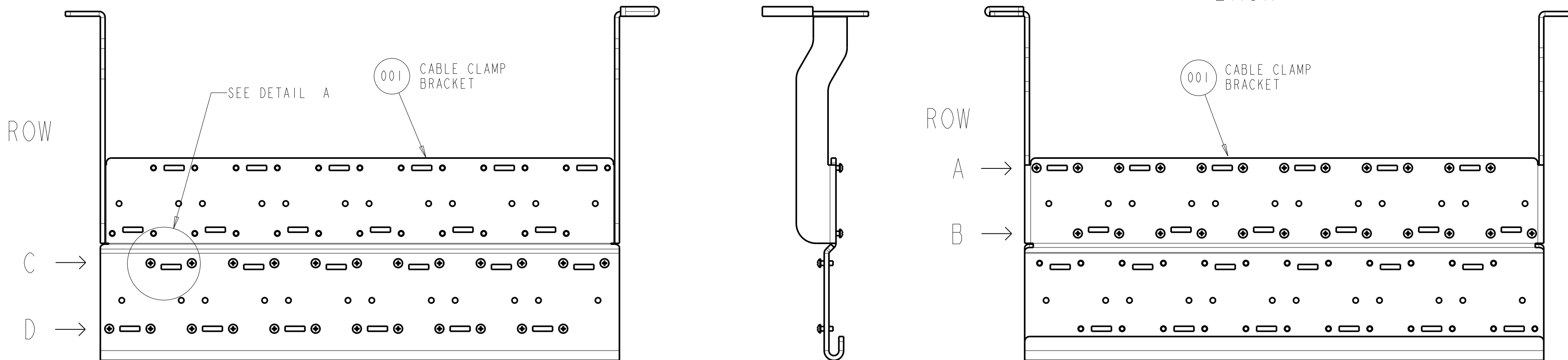
© 2016 COMMSCOPE, INC. CONFIDENTIAL NOTICE: THESE DRAWINGS AND SPECIFICATIONS ARE THE PROPRIETARY PROPERTY OF COMMSCOPE, INC. AND MAY BE USED ONLY FOR THE SPECIFIC PURPOSE AUTHORIZED IN WRITING BY COMMSCOPE, INC.		TITLE INST DWG, RAISED FLR, CABLE CLAMP, NG4	
ALL DIMS AND TOLERANCES .XX:±N/A ARE INCHES UNLESS .XXX:±N/A OTHERWISE SPECIFIED ANGULAR:±N/A	C SIZE	DRAWING NUMBER 300001764138	D REV
DO NOT SCALE DRAWING	ENGR: SCOTT SIEVERS DWN: P. RUDENICK	SHT. 4 OF 8	

DIMENSIONS IN INCHES
 THIRD ANGLE PROJECTION

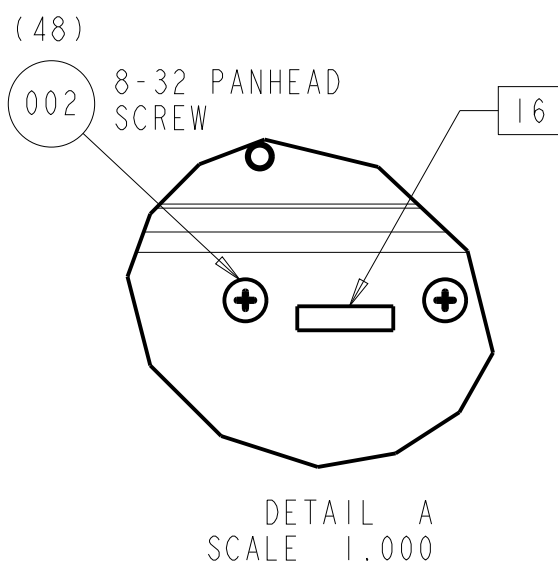
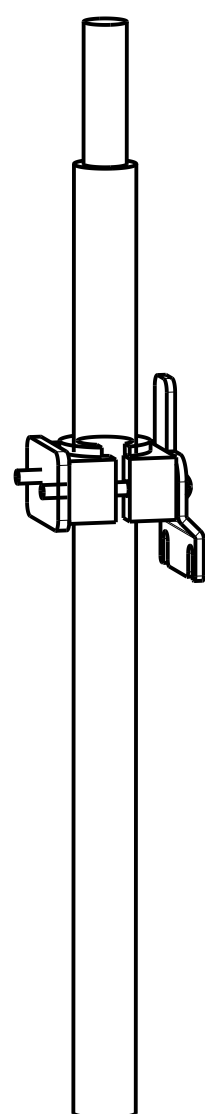
STANDARD CABLE GROMMET

FRONT

BACK



SMALL CABLE CLAMP MOUNTING DIMENSIONS FROM BREAKOUT	
ROW	DIM "A"
A	3 1/16"
B	4 11/16"
C	5 7/16"
D	7 3/32"



10. DETERMINE THE CORRECT SIZE GROMMET BY FIRST MEASURING THE OUTSIDE DIAMETER OF THE CABLE AND THEN MEASURING THE INSIDE DIAMETER OF THE GROMMETS.
 11. GROMMETS ARE SIZED ACCORDING TO THEIR INSIDE DIAMETER. FIVE DIFFERENT SIZE GROMMETS (0.4, 0.5, 0.6, OR 0.7 INCHES).
 12. SELECT THE GROMMET WHOSE INSIDE DIAMETER IS THE NEXT SIZE SMALLER THAN THE DIAMETER OF THE CABLE. FOR EXAMPLE, IF THE CABLE IS .57 INCHES IN DIAMETER, SELECT THE 0.5 INCH GROMMET.
 13. BASED ON ROW LOCATION, SEE DIM "A" FOR VERTICAL CLAMP PLACEMENT WITH RESPECT TO END OF OUTER CABLE JACKET. ASSEMBLE CABLE CLAMP KIT ONTO CABLE AT DIM "A" AS SHOWN.
 14. TIGHTEN ITEM 007 (#6-32 SCREW 1.75") UNTIL ITEM 004 (YOKES) TOUCH THEN ROTATE ITEM 007 (#6-32 SCREW 1.75") 4 REVOLUTIONS.
 15. INSTALL THE PRE-ASSEMBLED CLAMP ASSEMBLY ONTO ITEM 002 QTY:2 #8 PAN-HEAD SCREWS, WHICH ARE ASSEMBLED ONTO ITEM 001 (BRACKET). TIGHTEN THE TWO #8 PAN-HEAD SCREWS UNTIL SECURE.
- 16] WHEN MOUNTING CLAMP ASSEMBLY TO F/N 001 (BRACKET) USE THE RECTANGLE CUTOUT TO IDENTIFY WHICH TWO PAN-HEAD SCREWS ARE PAIRED TOGETHER (ONE SCREW ON EACH SIDE OF RECTANGLE).

ITEM NUMBER	DESCRIPTION	QTY
001	CABLE CLAMP BRACKET	1
002	8-32 PAN HEAD SCREWS	52
003	BACK PLATE	24
004	RUBBER YOKE	48
005	GROMMET, 0.4 GROMMET, 0.5 GROMMET, 0.6 GROMMET, 0.7	24
006	COVER	24
007	6-32 SCREW 1.75"	48
008	#10 STAR WASHER	2
009	#10 LOCKNUT	2
010	8-32 FLAT-HEAD SCREWS	2
	SPLIT GUARD BRACKET	1
	CABLE ENTRY SPOOL KIT	1

COMMSCOPE, INC.

© 2016 COMMSCOPE, INC. CONFIDENTIAL NOTICE: THESE DRAWINGS AND SPECIFICATIONS ARE THE PROPRIETARY PROPERTY OF COMMSCOPE, INC. AND MAY BE USED ONLY FOR THE SPECIFIC PURPOSE AUTHORIZED IN WRITING BY COMMSCOPE, INC.		TITLE INST DWG, RAISED FLR, CABLE CLAMP, NG4	
ALL DIMS AND TOLERANCES ARE INCHES UNLESS OTHERWISE SPECIFIED	.XX:±N/A .XXX:±N/A ANGULAR:±N/A	C SIZE	DRAWING NUMBER 300001764138
DO NOT SCALE DRAWING		ENGR: SCOTT SIEVERS DWN: P. RUDENICK	D REV SHT. 5 OF 8

DIMENSIONS IN INCHES
THIRD ANGLE PROJECTION

LARGE CABLE GROMMET

FRONT

BACK

ROW

ROW

E →

F →

SEE DETAIL B

BREAKOUT

DIM "A"

OUTER CABLE JACKET

LARGE BACK PLATE

(2)

005 10-32 SCREW 2.00"

GROMMET 003

(2)

RUBBER YOKE, LARGE

002

COVER LARGE

004

LARGE CABLE CLAMP MOUNTING DIMENSIONS FROM BREAKOUT	
ROW	DIM "A"
E	3 7/8"
F	6 5/16"

8-32 PANHEAD SCREW

DETAIL B
SCALE 1.200

17. DETERMINE THE CORRECT SIZE GROMMET BY FIRST MEASURING THE OUTSIDE DIAMETER OF THE CABLE AND THEN MEASURING THE INSIDE DIAMETER OF THE GROMMETS.
18. GROMMETS ARE SIZED ACCORDING TO THEIR INSIDE DIAMETER. FIVE DIFFERENT SIZE GROMMETS (0.8, 0.9, 1.0 INCHES).
19. SELECT THE GROMMET WHOSE INSIDE DIAMETER IS THE NEXT SIZE SMALLER THAN THE DIAMETER OF THE CABLE. FOR EXAMPLE, IF THE CABLE IS .87 INCHES IN DIAMETER, SELECT THE 0.8 INCH GROMMET.
20. BASED ON ROW LOCATION, SEE DIM "A" FOR VERTICAL CLAMP PLACEMENT WITH RESPECT TO END OF OUTER CABLE JACKET. ASSEMBLE CABLE CLAMP KIT ONTO CABLE AT DIM "A" AS SHOWN.
21. TIGHTEN ITEM 007 (#10-32 SCREW 2.00") UNTIL ITEM 004 (YOKES) TOUCH.
22. INSTALL THE PRE-ASSEMBLED GROMMET ASSEMBLY ONTO ITEM 002 QTY:2 #8 PAN-HEAD SCREWS, WHICH ARE ASSEMBLED ONTO ITEM 001 (BRACKET). TIGHTEN THE TWO #8 PAN-HEAD SCREWS UNTIL SECURE.

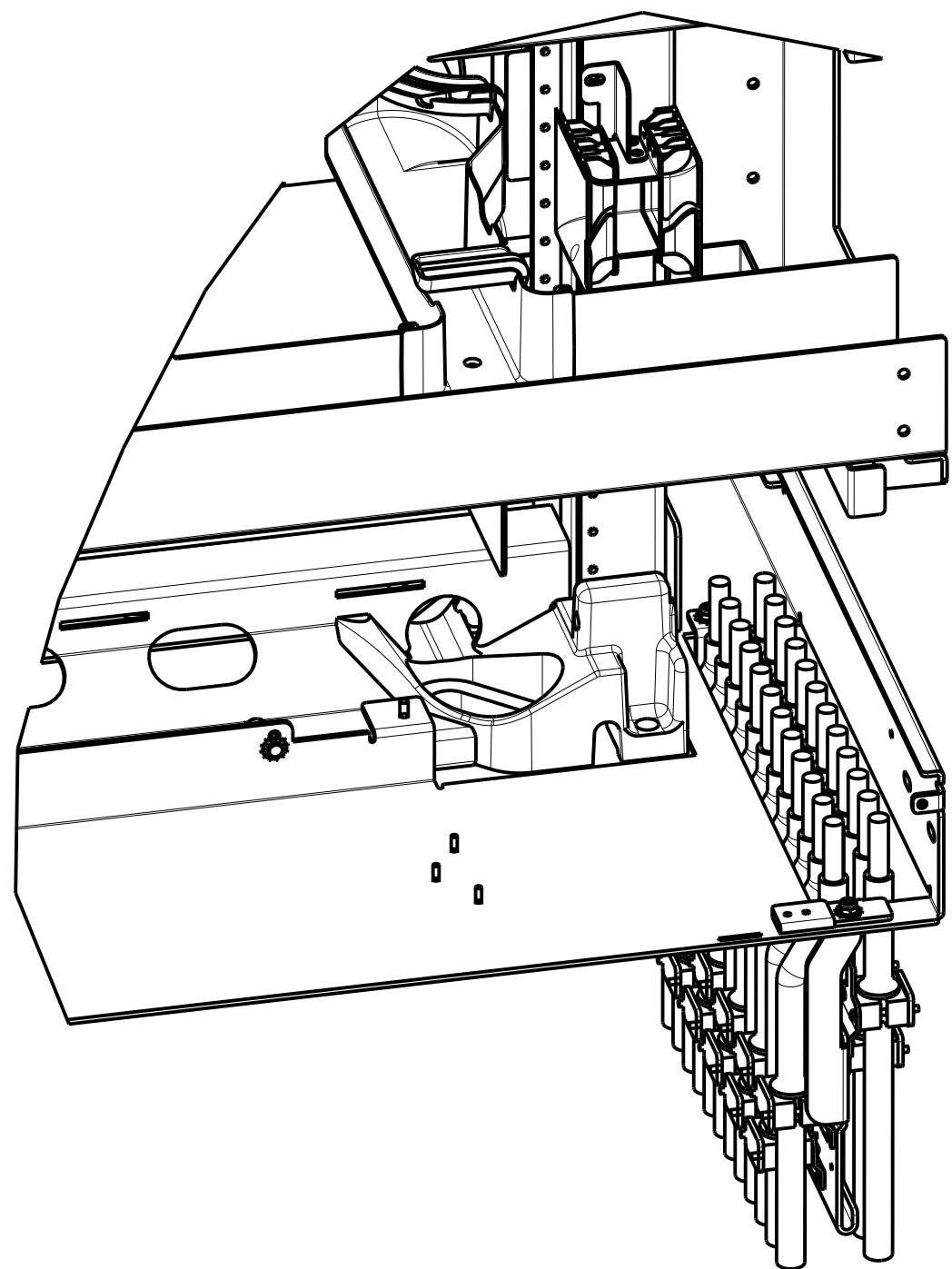
ITEM NUMBER	DESCRIPTION	QTY
001	LARGE BACK PLATE	1
002	RUBBER YOKE, LARGE	2
003	GROMMET, LARGE 0.8 GROMMET, LARGE 0.9 GROMMET, LARGE 1.0	1
004	COVER, LARGE	1
005	10-32 SCREW 2.00"	2

COMMSCOPE, INC.

© 2016 COMMSCOPE, INC. CONFIDENTIAL NOTICE: THESE DRAWINGS AND SPECIFICATIONS ARE THE PROPRIETARY PROPERTY OF COMMSCOPE, INC. AND MAY BE USED ONLY FOR THE SPECIFIC PURPOSE AUTHORIZED IN WRITING BY COMMSCOPE, INC.		TITLE INST DWG, RAISED FLR, CABLE CLAMP, NG4	
ALL DIMS AND TOLERANCES ARE INCHES UNLESS OTHERWISE SPECIFIED		SIZE C	DRAWING NUMBER 300001764138
DO NOT SCALE DRAWING		ENGR: SCOTT SIEVERS DWN: P. RUDENICK	SHT. 6 OF 8

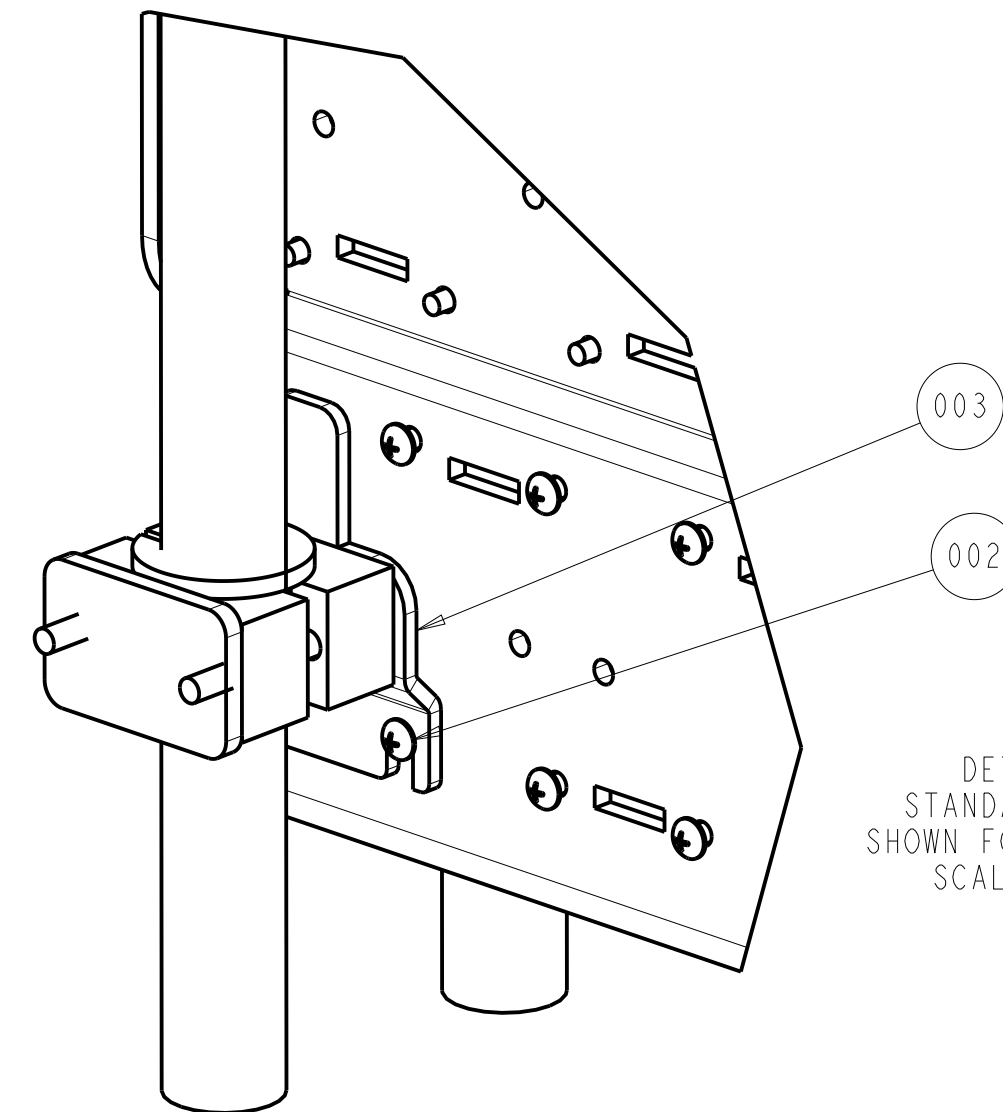
DIMENSIONS IN INCHES
THIRD ANGLE PROJECTION

CABLE CLAMPS FULLY INSTALLED
SPLICE CHASSIS REMOVED FOR CLARITY

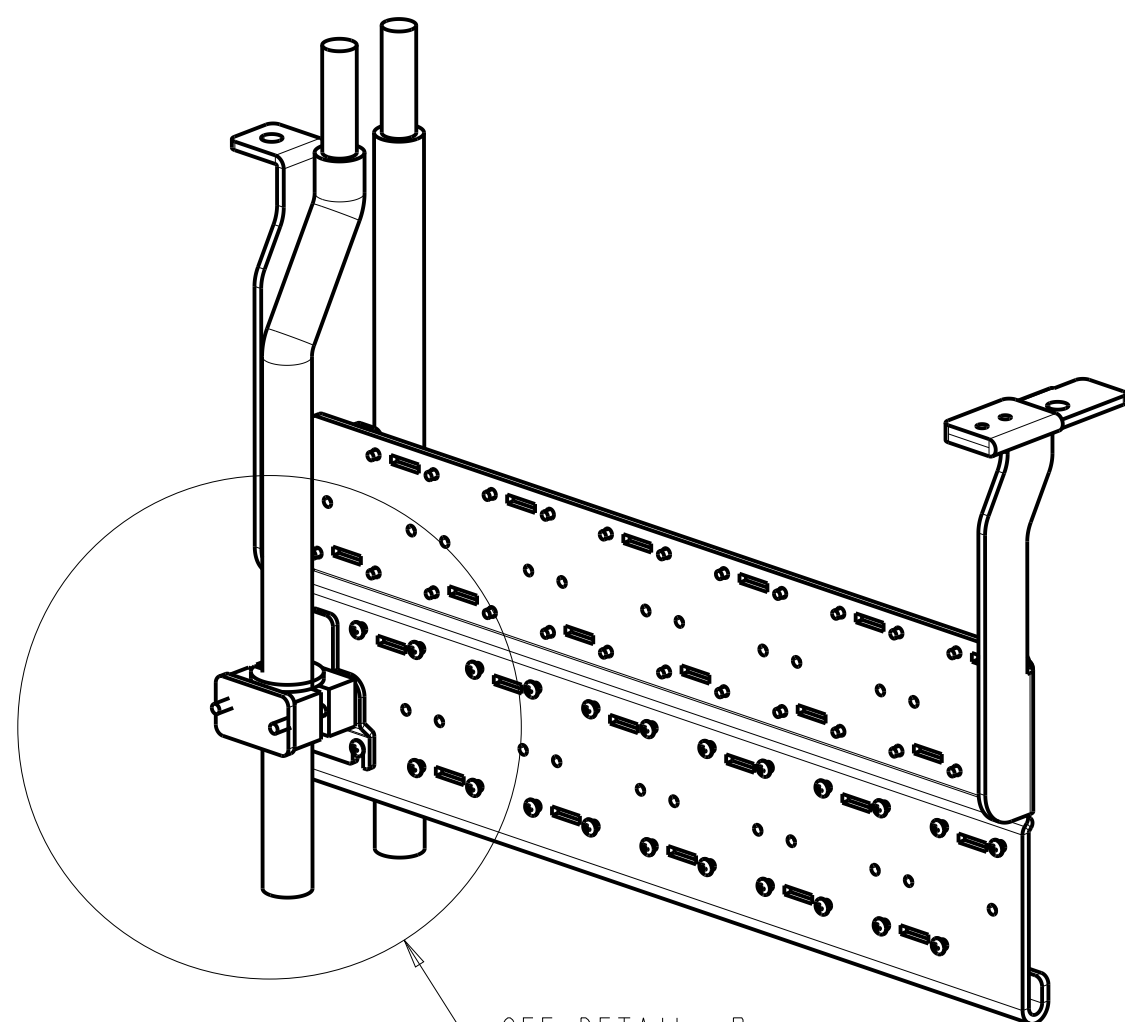


RAISED FLOOR REMOVED FOR CLARITY
BOTH STANDARD AND LARGE CABLE
GROMMET INSTALLATION

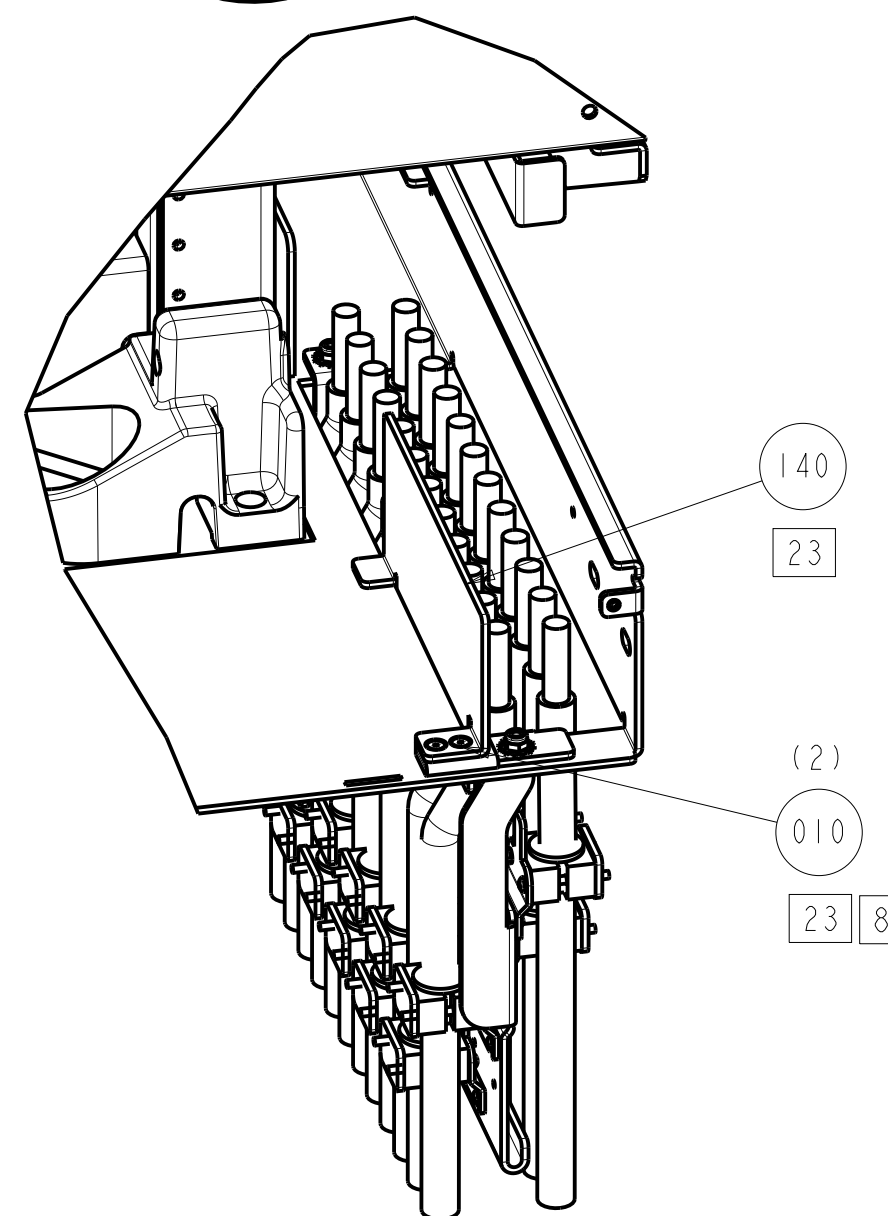
SLIDE ITEM 003 (STANDARD BACK PLATE)
DOWN ON ITEM 002 (#8 PAN-HEADS)
AND TIGHTEN



DETAIL B
STANDARD CLAMP
SHOWN FOR REFERENCE
SCALE 1.000



SEE DETAIL B

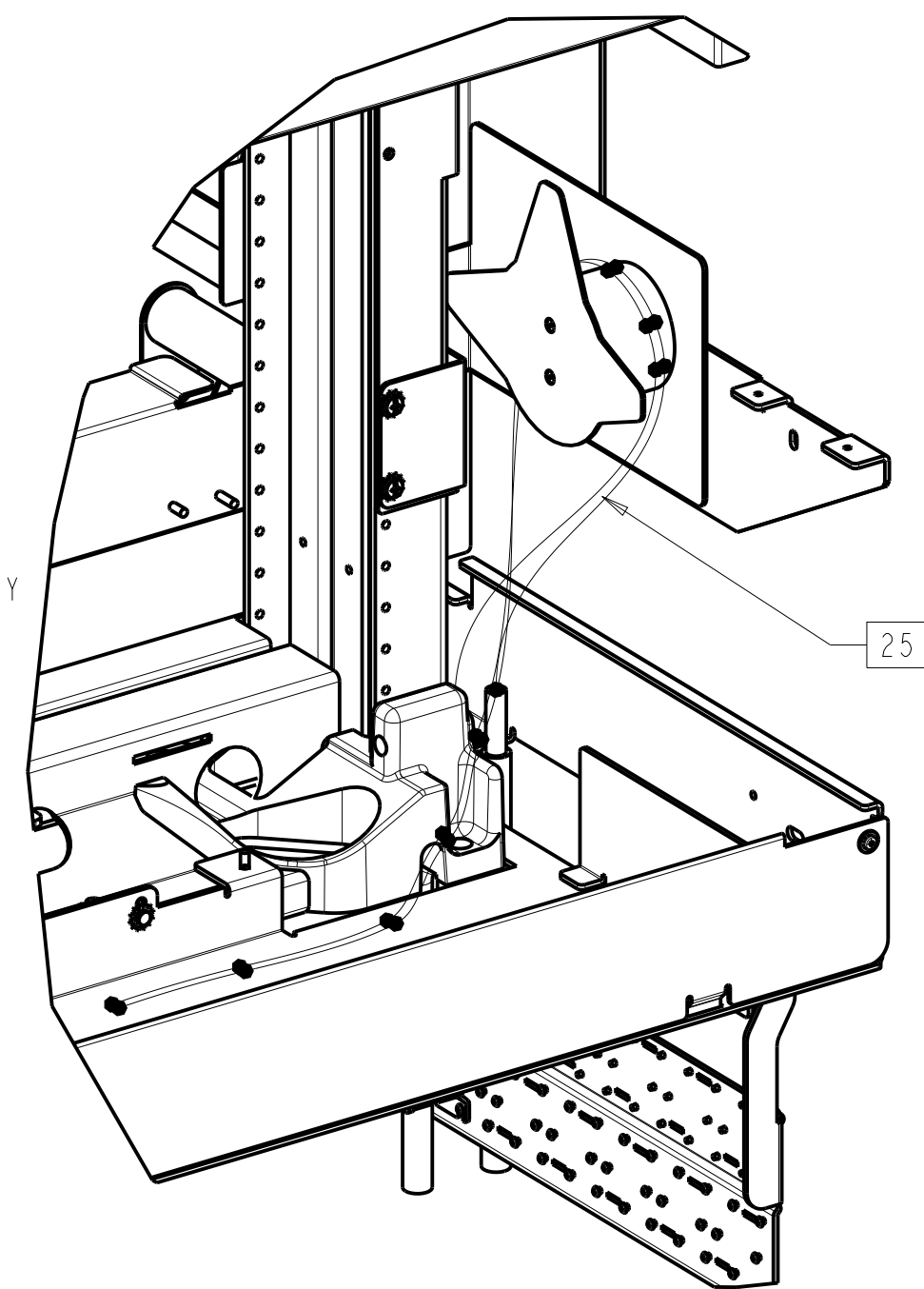
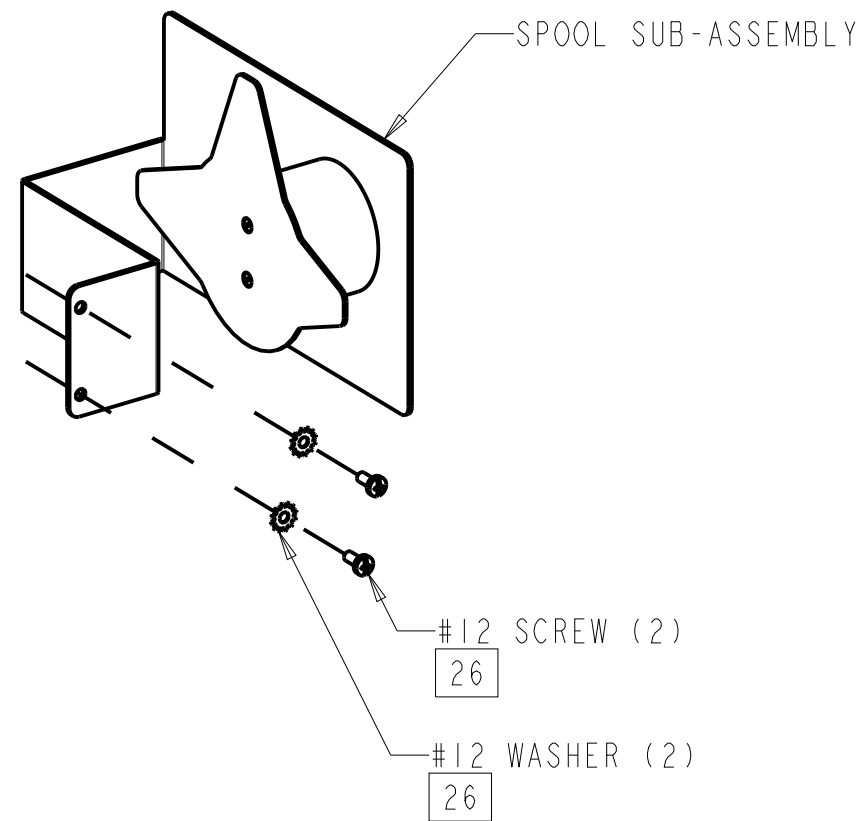
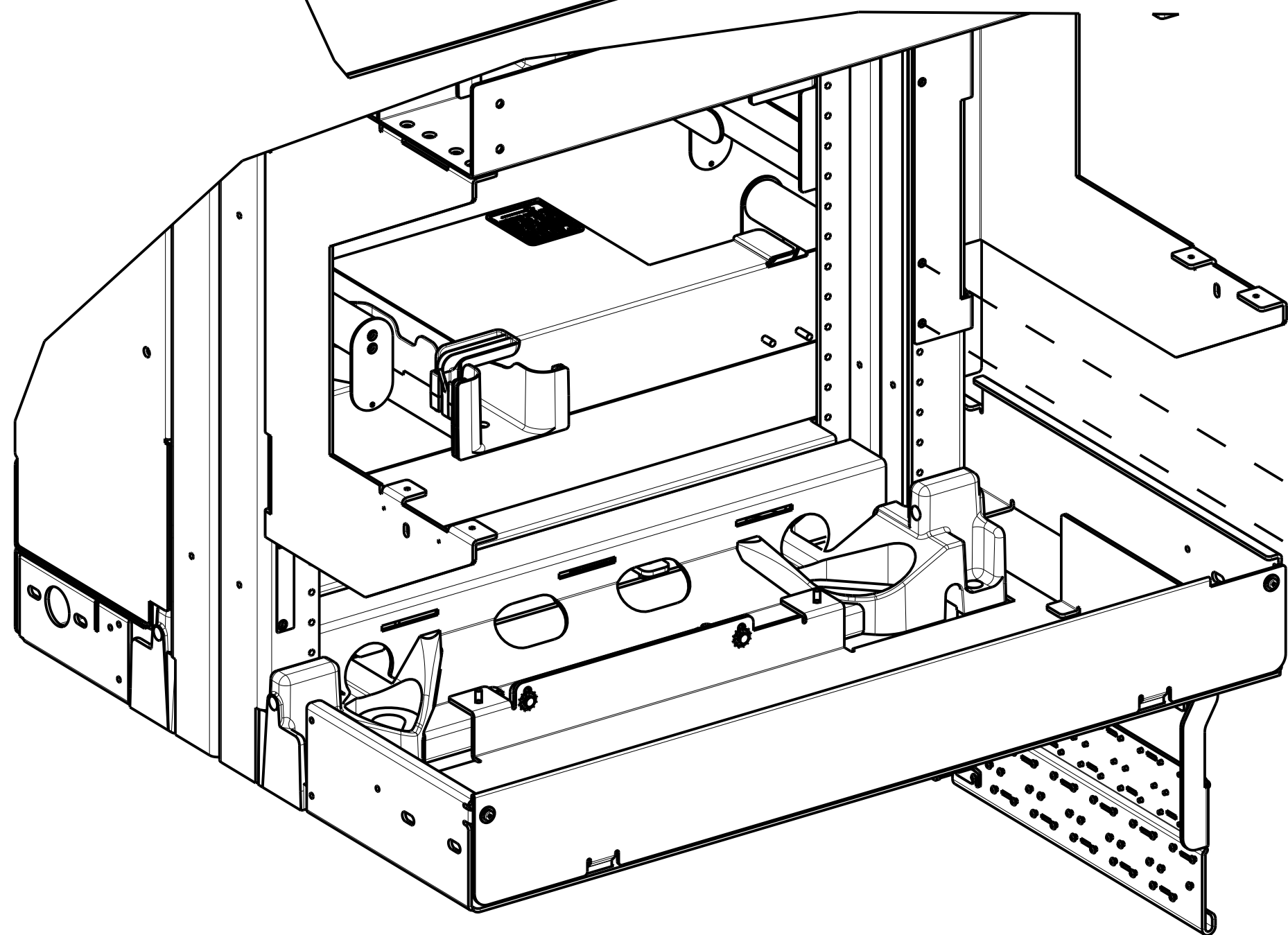
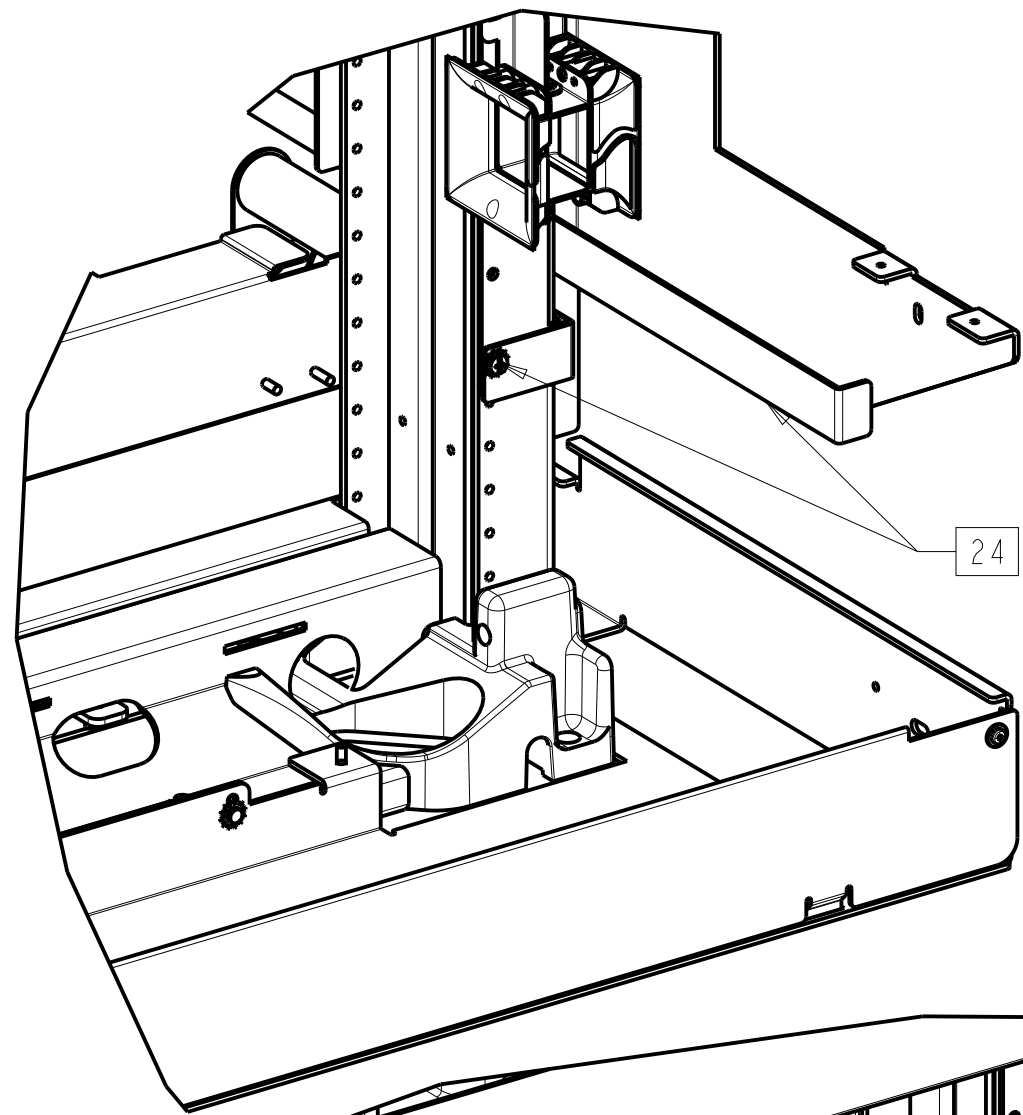


23 IF CABLE ROUTING PATH CAUSES INTERFERENCE WITH OPTIONAL SPLICE CHASSIS, ASSEMBLE F/N 140 (SPLIT GUARD BRACKET) WITH F/N 010 (#8-32 FLAT-HEAD SCREWS) QTY:2 CAN BE USED TO DIRECT CABLES VERTICALLY. DISCARD F/N 140 AND 010 IF NOT USED IN SPLICE CHASSIS APPLICATION.

COMMSCOPE, INC.

© 2016 COMMSCOPE, INC. CONFIDENTIAL NOTICE: THESE DRAWINGS AND SPECIFICATIONS ARE THE PROPRIETARY PROPERTY OF COMMSCOPE, INC. AND MAY BE USED ONLY FOR THE SPECIFIC PURPOSE AUTHORIZED IN WRITING BY COMMSCOPE, INC.		TITLE INST DWG, RAISED FLR, CABLE CLAMP, NG4	
ALL DIMS AND TOLERANCES ARE INCHES UNLESS OTHERWISE SPECIFIED	.XX:±N/A .XXX:±N/A ANGULAR:±N/A	C SIZE	DRAWING NUMBER 300001764138
DO NOT SCALE DRAWING		ENGR: SCOTT SIEVERS DWN: P. RUDENICK	D REV SHT. 7 OF 8

DIMENSIONS IN INCHES
THIRD ANGLE PROJECTION



SPLICE CHASSIS AND OTHER COMPONENTS REMOVED FOR CLARITY

- 24 REMOVE #12 SCREW AND WASHER ALONG WITH BRACKET AND DISCARD ONLY IF USING THE SPOOL SUB-ASSEMBLY.
- 25 ROUTE CABLES FROM CABLE CLAMP IN FRONT OF SPOOL AND AROUND TO THE BACK AND DOWN TO THE CHASSIS DRAWER.
- 26 TORQUE TO 18 IN LBS (2.03 NEWTON METERS).

COMMSCOPE, INC.

<small>© 2016 COMMSCOPE, INC. CONFIDENTIAL NOTICE: THESE DRAWINGS AND SPECIFICATIONS ARE THE PROPRIETARY PROPERTY OF COMMSCOPE, INC. AND MAY BE USED ONLY FOR THE SPECIFIC PURPOSE AUTHORIZED IN WRITING BY COMMSCOPE, INC.</small>		TITLE INST DWG, RAISED FLR, CABLE CLAMP, NG4	
<small>ALL DIMS AND TOLERANCES .XX:±N/A ARE INCHES UNLESS .XXX:±N/A OTHERWISE SPECIFIED ANGULAR:±N/A</small>		C SIZE	DRAWING NUMBER 300001764138
DO NOT SCALE DRAWING		ENGR: SCOTT SIEVERS DWN: P. RUDENICK	SHT. 8 OF 8

DIMENSIONS IN INCHES
THIRD ANGLE PROJECTION