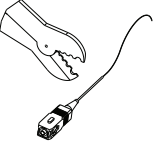
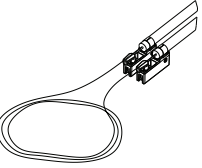

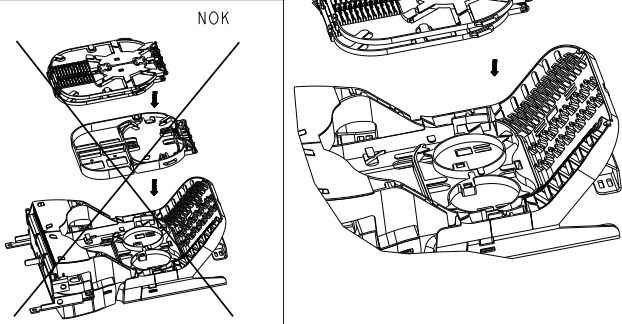
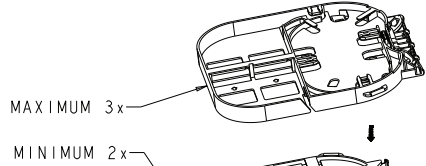
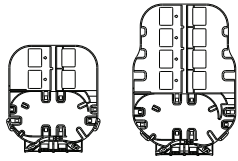
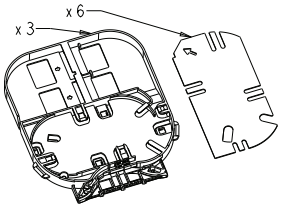


TENIO TRAY INSTALLATION GUIDE

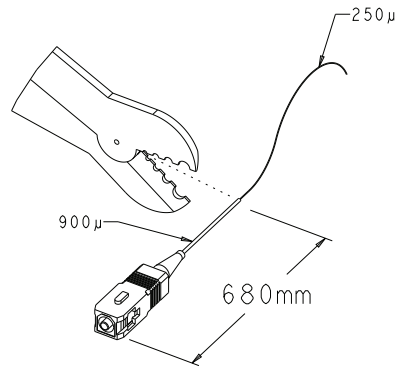
| TENIO TRAYS | S12 | S9/SPLITTER | SLE | S24 | A12 | A24 | B PATCH | C PATCH |
|--|-----|-------------|---------------|-----|-----|-----|-------------------|-------------------|
|  <p>INSTALLATION SPECIAL</p> | - | - | - | - | - | - | YES (CHECK P2) | YES (CHECK P2) |
|  <p>LOOP LENGTH SPECIAL</p> | - | - | YES (2.8M) | - | - | - | - | - |
|  <p>USE OF VELCRO SPECIAL</p> | - | - | YES | YES | - | YES | YES | YES |

1. PATCH INSTALLATION SPECIAL

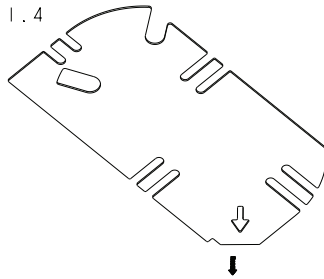
1.1.



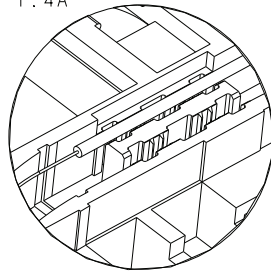
1.3



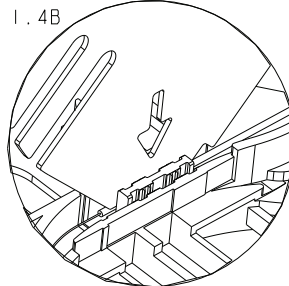
1.4



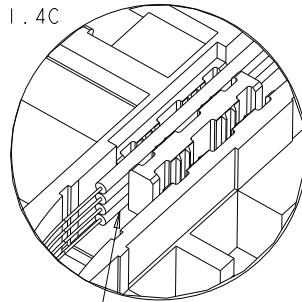
1.4A



1.4B



1.4C



MAXIMUM 4x

TENIO TRAY INSTALLATION GUIDE

1.5

