

**Multi-outlet with alu pipes**

---

**Contents**

- 1 Introduction**
- 2 Kit content**
- 3 Accessories**
- 4 Installation**
- 5 Installing a cable in a tube**

---

**1 Introduction**

Multi drop cable kits allow to feed more than 1 cable through the round port in a flexible way.

This multi-outlet kit is used in combination with 30 mm ports (FIST-GCO2-BX6 and FOSC-400D5).

In case that one cable is installed day one of the installation and further flexibility is needed, to bring in 2 extra cables later on, the MULTI2-kits can be used. In a first stage the cable is sealed together with 2 tubes; at a later stage, additional cable can be fed through these tubes.

## 2 Kit content



Kit content can change depending the ordered kit.

- Heatshrink
- Multi termination plate
- Strength member fixation
- Aluminum foil
- Cleaning tissue
- Abrasive paper
- Installation instruction

## 3 Accessories

### FIST-GCO2-RSK16-MC-U

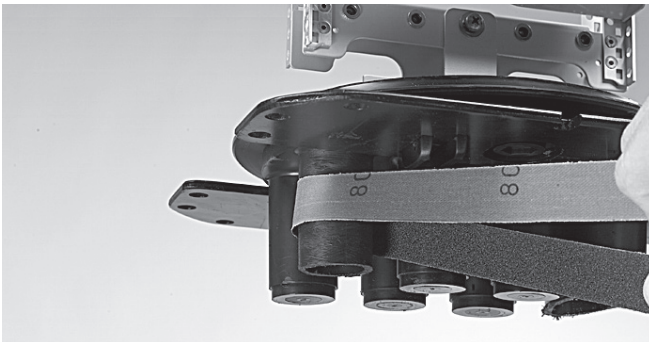
Cable seal kit to seal the cable onto the alu pipe.  
A strength member connector is included in this kit.

### FIST-GCO2-RSK16-MC

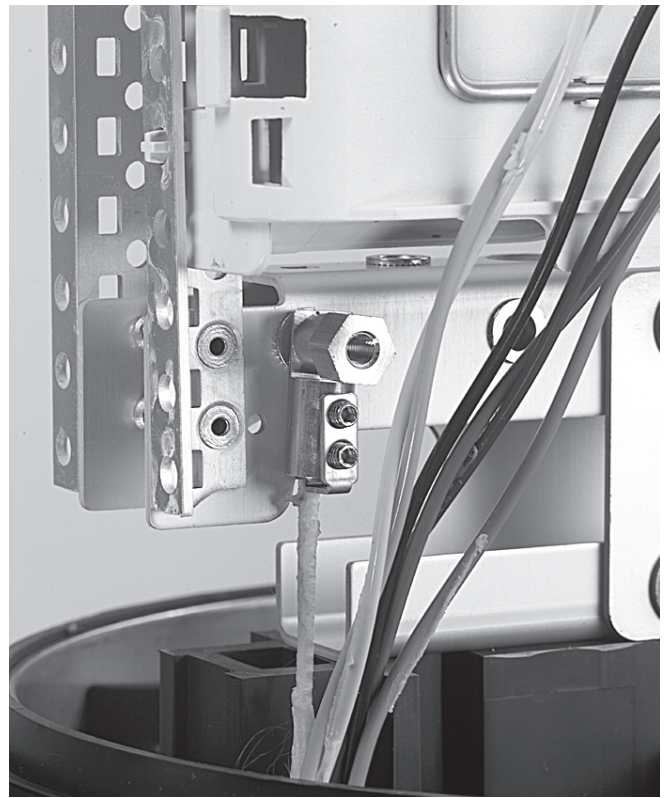
Cable seal kit to seal the cable onto the alu tube.  
No strength member connector is included in this kit.

## 4 Installation

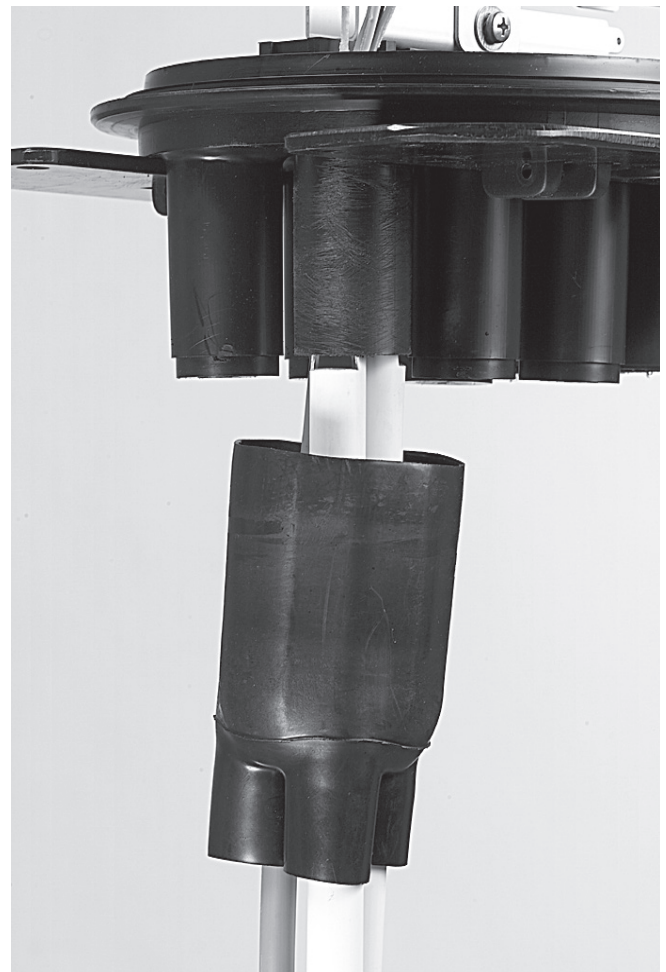
All dimensions needed for preparing cables can be found in the standard installation instruction.



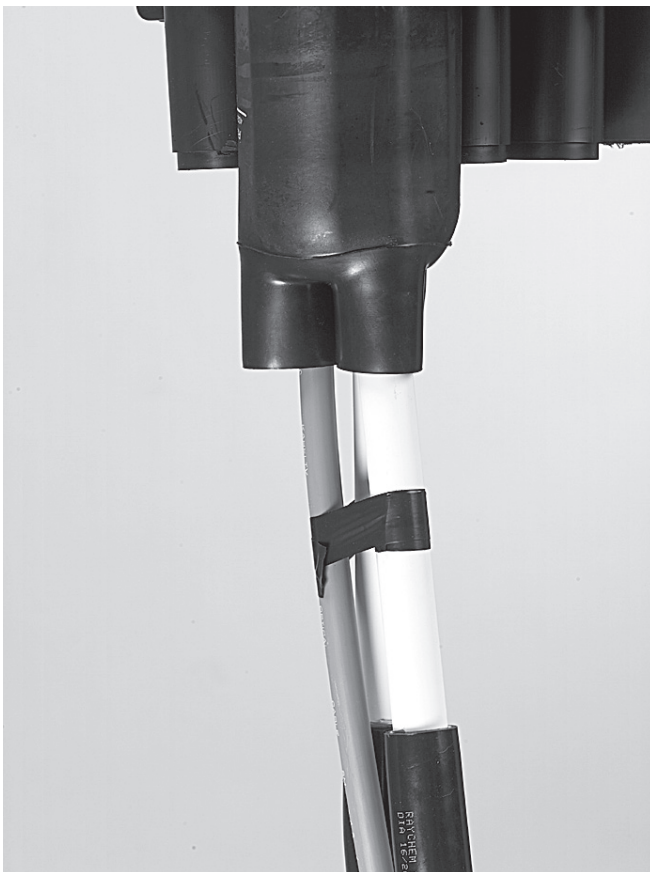
4.1 Open the round port, clean and abrade port, cable and tubes.



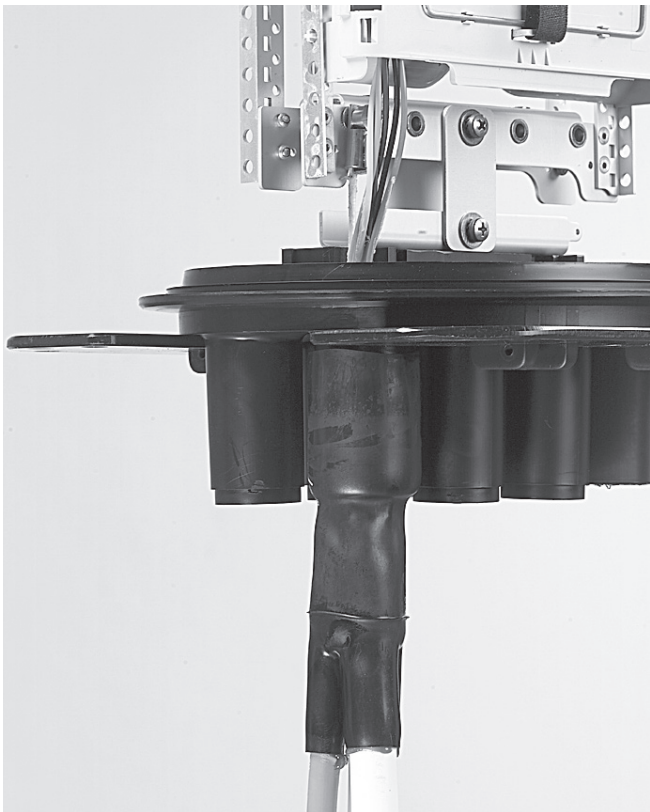
4.2 Fix the strength member eyelet with the spacer screw. Bring the cable through the heatshrink port (multi-out) and fix the strength member.



4.3 Bring the Tubes in the port.



4.4 Position the heatshrink (multi-out) and tape the cable and tubes together (in this way the heatshrink stays in position).



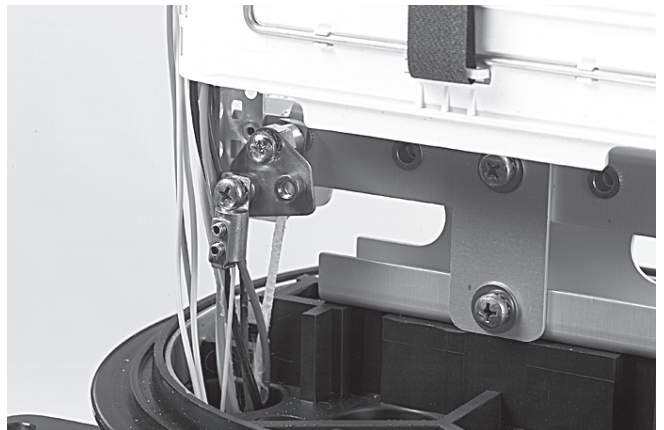
4.5 Start shrinking from the top and continue downwards. Be sure that the inside of the small ports are well heated.

**Do not move the closure for about 20minutes and let the heatshrink cool down.**

## 5 Installing a cable in a tube



5.1 Cut off the top of the end cap and clean and abrade the tube and cable.



5.2 Mount the multi-termination-plate and strength member eyelet. Bring the cable through the heatshrink and port and fix the strengthmember.

5.3 Clean and abrade the cable and end cap/alu pipe. Mark the cable at 60 mm from the alu pipe end. Place the aluminium protection foil, blue line matches the mark.

**Note:** the aluminium protection foil is maximum 30 mm inside the heat shrink.



5.4 Position and shrink the heatshrink (the arrow on the heatshrink should point towards the closure).

**Do not move the closure for about 20minutes and let the heatshrink cool down.**