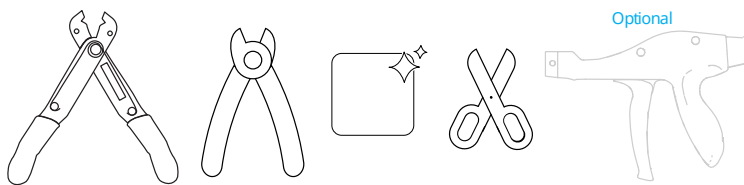


NOVUX™ Fiber Optic System NVX-CR-DU-FL-NN: Cable retention - Dual cable

1 Cable diameter range

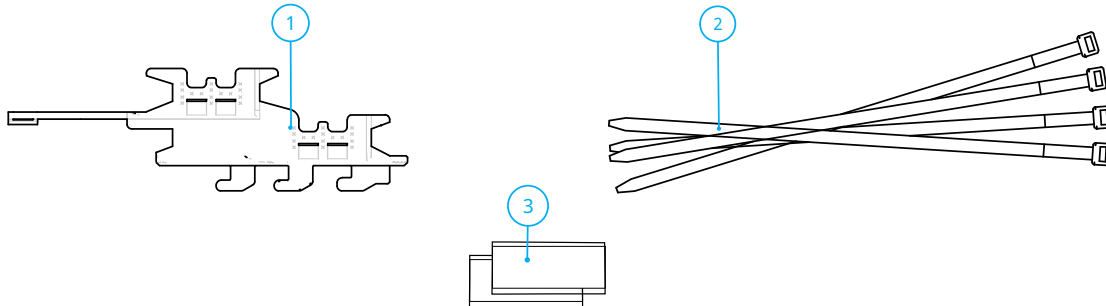
	mm	Inches
Round cable	≤ 6,2	≤ 0.25

2 Tools



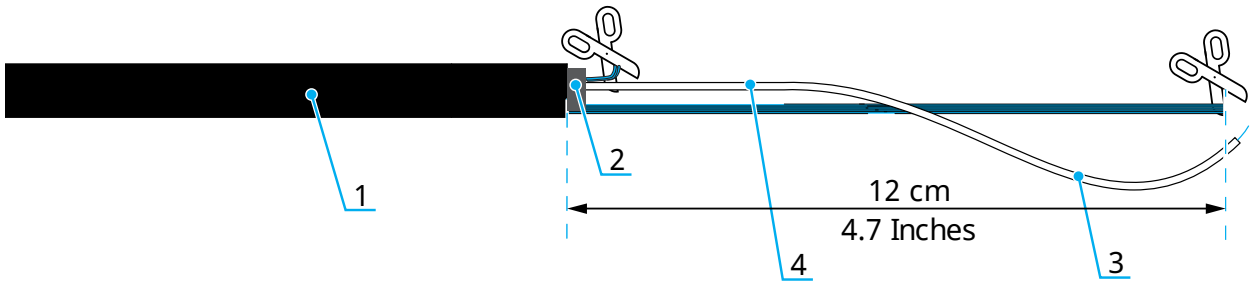
- Cable stripping and cleaning tools
- Scissors
- Cable Tie Gun (optional)

3 Kit contents (two drop cables)

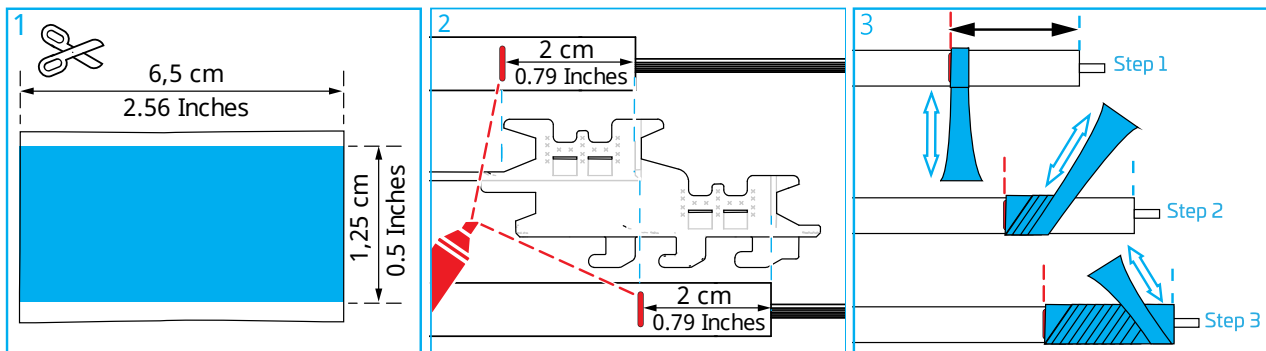


N°	Description	Qty
1	Carrier	1
2	Cable ties	4
3	Silicone tape (1,25 cm / 0.5 Inch width)	2

4 Prepare two drop cables



N.º	Description	Preparation
1	Jacket	<p>⚠ Attention: The distance of the jacket that should be removed is depending on the closure where the cable retention is installed. Distances below are valid for cable stubs:</p> <ul style="list-style-type: none"> • CC 100: 130 ±5 cm / 51 ±2 Inches • CC 150: 135 ±2,5 cm / 53 ±1 Inch • CC 200: 135 ±2,5 cm / 53 ±1 Inch • SRC 100: 90 ±5 cm / 35 ±2 Inches • SRC 50: 130 ±5 cm / 51 ±2 Inches
2	Dual jacket (if present)	Make the dual jacket as small as possible; keep a maximum length of 1,2 cm / 0.47 Inches. Remove the aramid yarn inside this second jacket.
3	Aramid yarn	Cut the aramid yarn to length to 12 ±1cm / 4.7 ±0.2 Inches. Limit the amount of aramid yarn.
4	Subunits	<p>Clean the subunits, remove all grease. The subunit tube should be removed to access the fiber.</p> <p>⚠ Attention: Stripping point of the subunit is provided in the closure installation instructions.</p>
5	Rigid strength member (if present)	Remove the rigid strength member.



1 Use the strip silicone tape provided in the kit: 6,5 X 1,25 cm / 2.56 X 0.5 Inches.

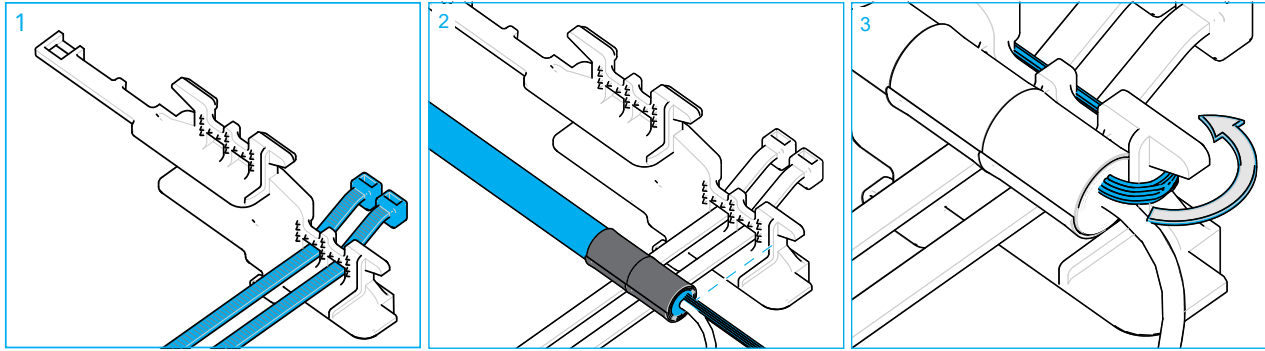
⚠ **Attention:** Make sure your hands are clean and degreased before preparing and installing the cables. Degrease the cables where the cable will enter the closure.

2 Position the cable on the cable support: The end of the sheath must be aligned with the rib (Figure 2). Make a mark on the top and bottom cable as indicated. Alternatively the mark can be applied 2 cm / 0.79 Inches from the jacket end.

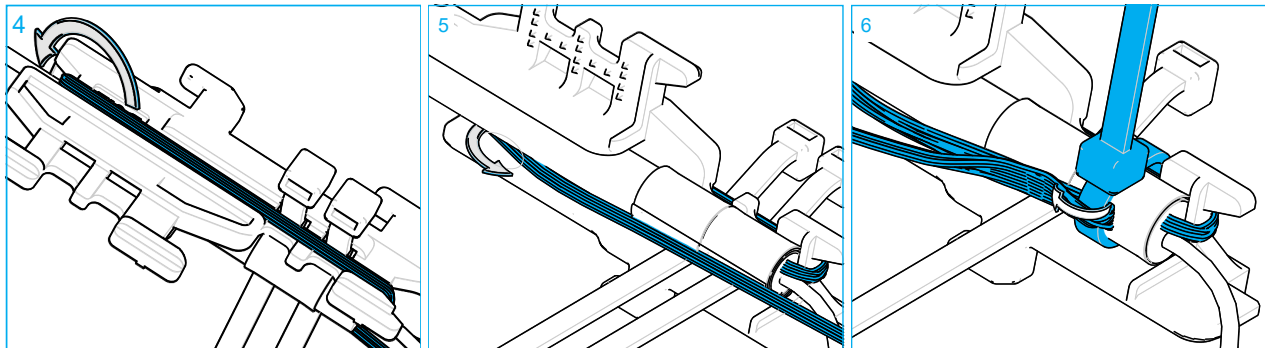
3 Apply the silicone tape between the mark and the jacket end. Remove the protective paper. Stretch the tape minimum 50% while wrapping the tape around the cable. First apply a full turn around the cable, then continue to cover up to the jacket end. Make one turn at the end point and come back with the remaining tape.

5 Install the cables on the carrier

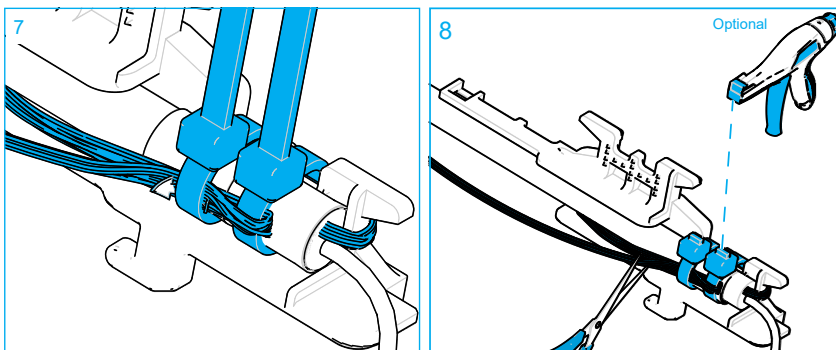
! *Important:* It is essential to install the first cable in the bottom position.



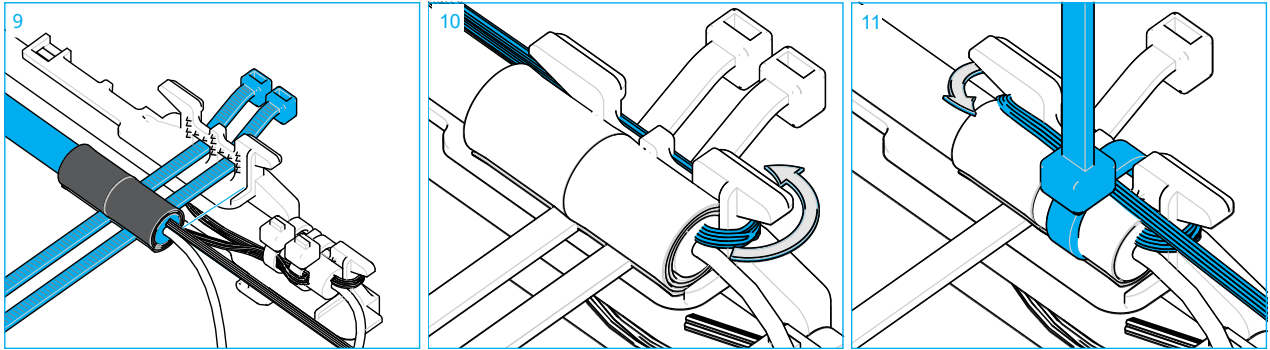
- 1 Install the cable ties in the slots in the carrier at the bottom position as shown. Make sure the teeth of the cable tie are facing upwards.
- 2 Position the first cable on the bottom position of the carrier with the sheath opening aligned with the rib on the carrier.
- 3 Guide the aramid yarn under the hook to the left side.



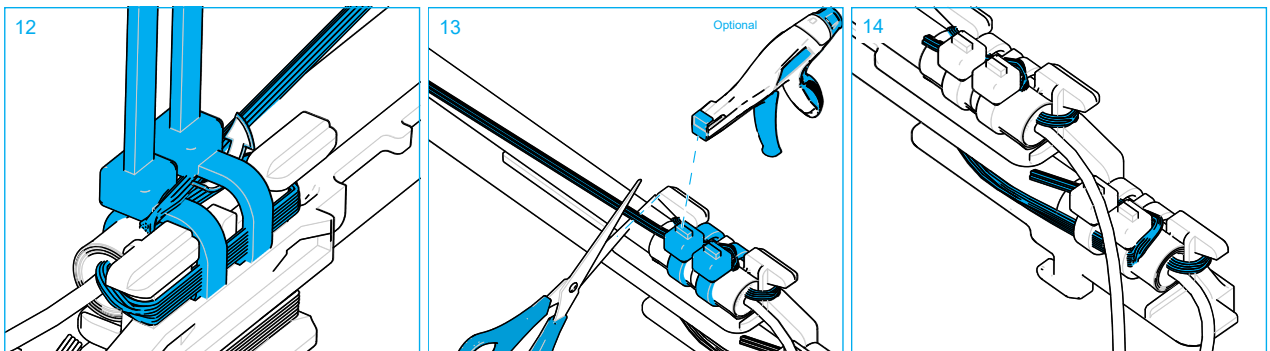
- 4 Guide the aramid yarn along the left side to the end, turn the aramid yarn under the hook to the right side of the cable.
- 5 Make sure the aramid yarn is positioned between carrier and cable. Make sure to put the aramid yarn under tension during this operation.
- 6 Secure the cable tie with the aramid yarn caught between cable and cable tie but do not tighten yet. Make sure to put the aramid yarn under tension during this operation.



- 7 Wrap the aramid yarn back and secure the second cable tie with the aramid yarn a second time caught between cable and cable tie.
- 8 Tighten the two cable ties, a cable tie gun can be used. The recommended force is 85N. Cut off excess aramid yarn and cable tie straps.



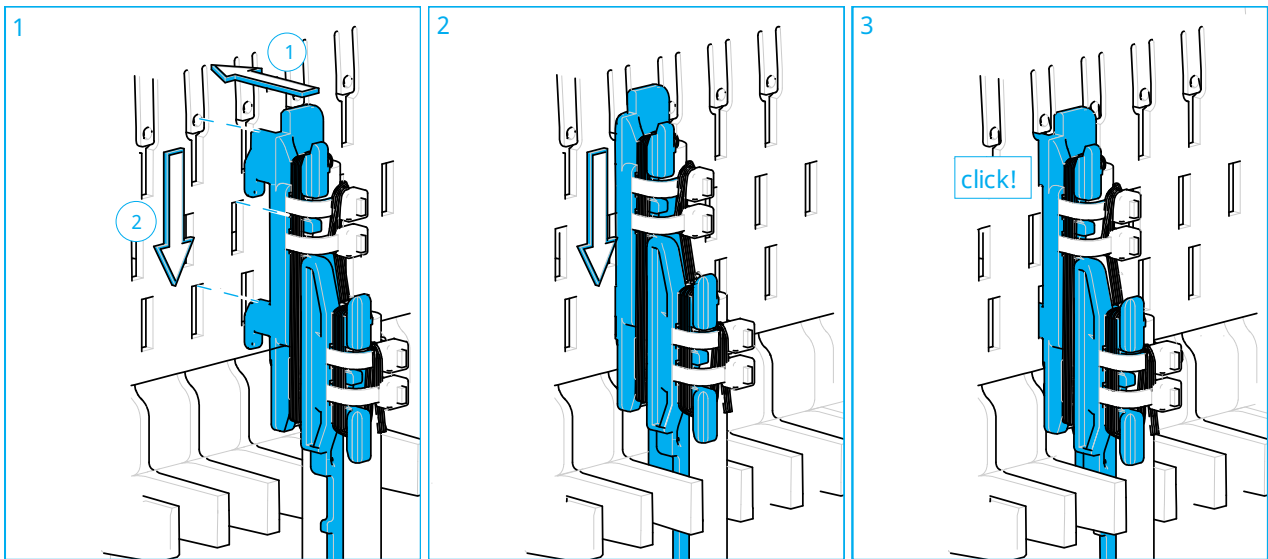
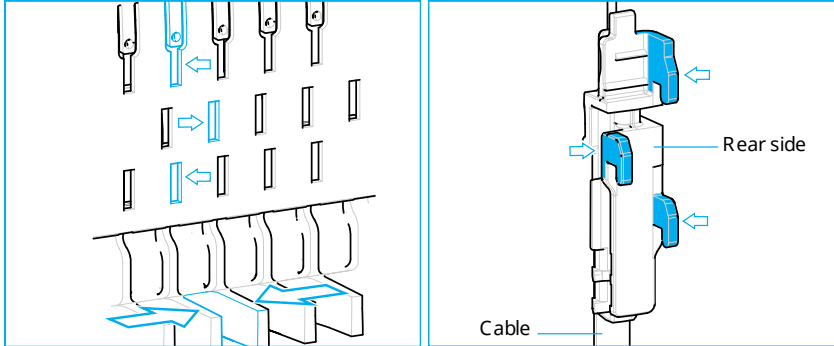
- 9 Install the cable ties in the slots in the carrier at the top position, as shown. Make sure the teeth of the cable tie are facing upwards. Position the second cable on the top position of the carrier with the sheath opening aligned with the rib on the carrier.
- 10 Guide the aramid yarn under the hook to the left side.
- 11 Guide the aramid yarn along the left side to the end, turn the aramid yarn under the hook to the right side of the cable. Secure the cable tie with the aramid yarn caught between cable and cable tie, but not tighten yet. Make sure to put the aramid yarn under tension during this operation.



- 12 Wrap the aramid yarn back and secure the second cable tie with the aramid yarn a second time caught between cable and cable tie.
- 13 Tighten the two cable ties, a cable tie gun can be used. The recommended force is 85N. Cut off excess aramid yarn and cable tie straps.
- 14 Two cables installed on the carrier.

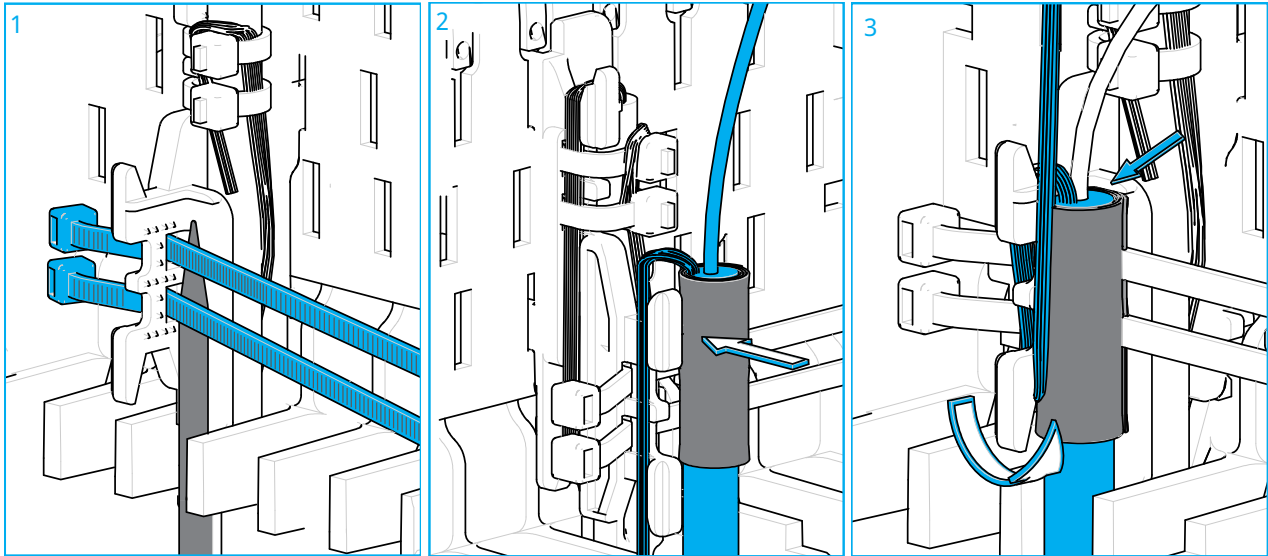
6 Install carrier

To secure the cable to the organizer, the three hooks on the rear side of the carrier should slide into the 3 slots on the interface plate on the organizer. The top left slot has a locking lip to keep the cable - carrier assembly in place when installed.

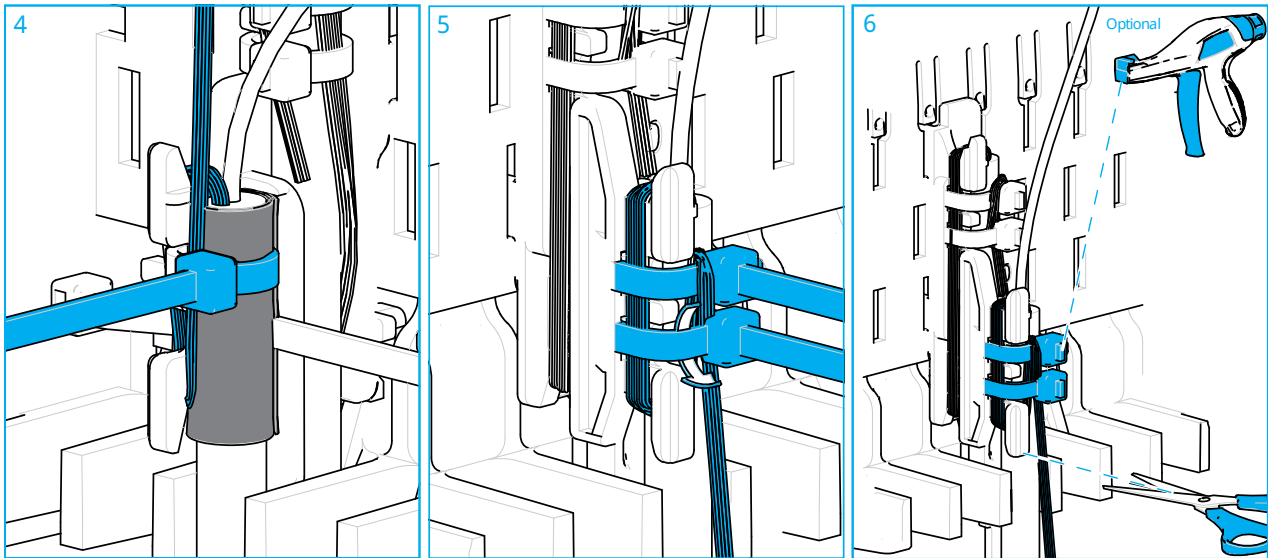


- 1 Slide the carrier with the cable secured into the slots of the organizer. Push the locking lip in the first slot backwards.
- 2 Slide the carrier downwards.
- 3 The locking lip returns into its original position and the carrier is correctly seated. A clicking sound is observed.

7 Installing the second cable on the carrier already installed



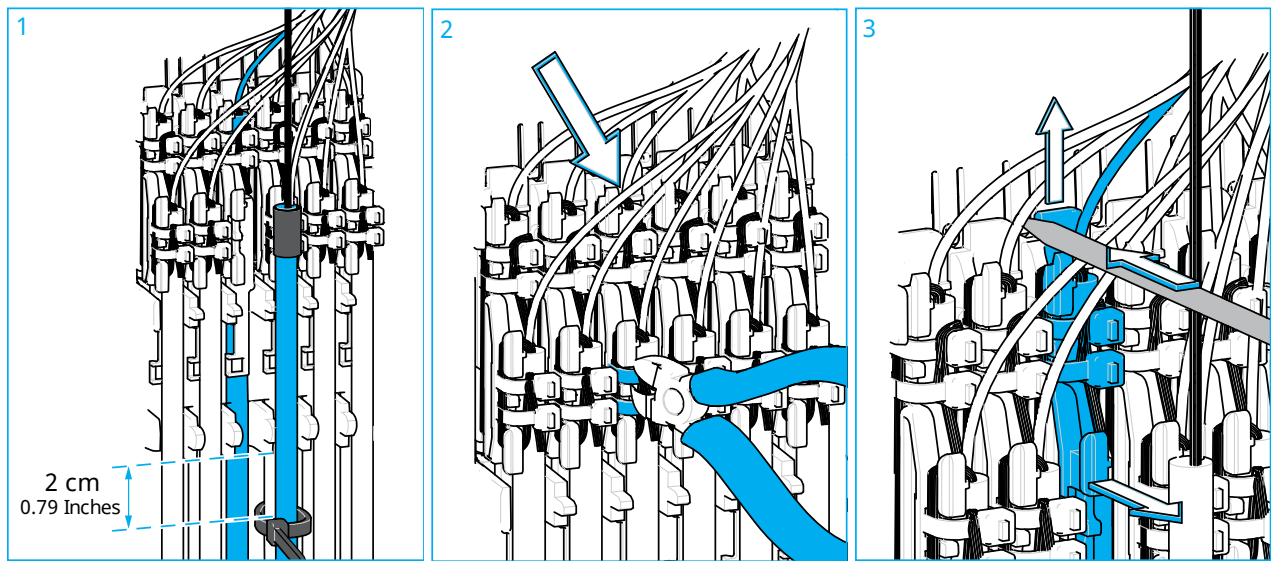
- 1 Install the two cable ties in the slots in the carrier at the top position, make sure the teeth of the cable tie are facing upwards. A fiber guidance pen can be used to help to install the cable ties.
- 2 Position the cable by aligning the end of the sheath with the rib on the carrier and route the aramid yarn over the hook of the carrier. Bring the aramid yarn to the bottom hook. Make sure to put the aramid yarn under tension during this operation.
- 3 Route the aramid yarn under the bottom hook and bring it upwards again.



- 4 Tighten the first cable tie with the aramid yarn caught between the cable and the cable tie to immobilize the cable. Make sure to put the aramid yarn under tension during this operation
- 5 Bring the aramid yarn downwards again. Tighten the second cable tie with the aramid yarn caught two times between cable and cable tie.
- 6 Tighten the two cable ties, a cable tie gun can be used. The recommended force is 85N. Cut of excess aramid yarn and excess cable tie strap.

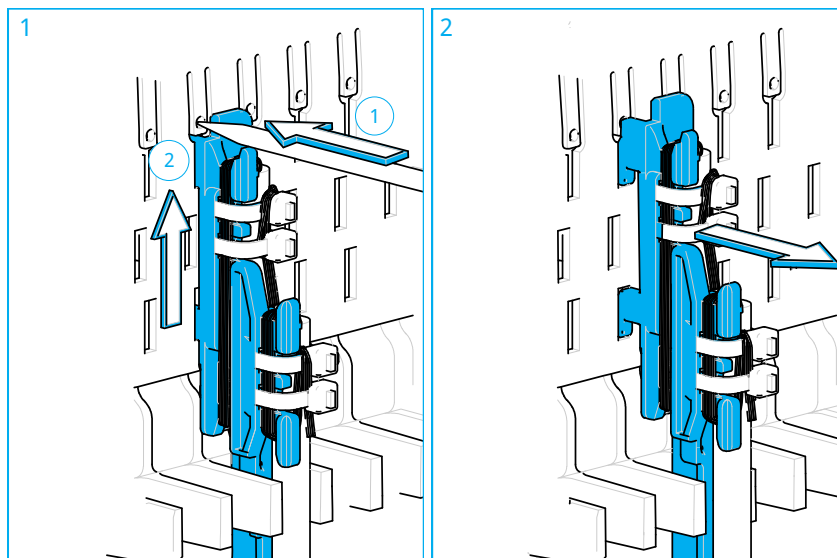
8 Replace the cable on the bottom position

If the cable on the bottom position is damaged and should be replaced, follow installation steps below to access the cable on the bottom position



- 1 Secure the cable on top temporarily to the cable installed on the left or right hand side with a cable tie. The cable tie should be secure at a distance of 2 cm (0.79 Inches) measured from the bottom of the organizer or external cable fixation bracket.
- 2 Remove the cable ties that secure the top cable to the carrier and put the top cable aside.
- 3 The carrier with the damaged cable can now be removed using a fiber guidance pen.

9 Remove carrier



- 1 Position the fiber guidance pen in the little cavity in the locking lip of the first slot and push the locking lip backwards. When the lock is released, lift the carrier up.
- 2 Move the carrier with cable attached forward.