

SSC-760233122E2xx

Pole Top Radio Concealment Antenna Mount

Concealment Enclosure for up to (3) Ericsson low power radios

Introduction

This document describes the CommScope pole top radio concealment antenna mount.

The solution is intended to house and conceal up to three low power radios directly below a multiband canister antenna.

Application

This solution is specifically intended for use with Ericsson low power radios.

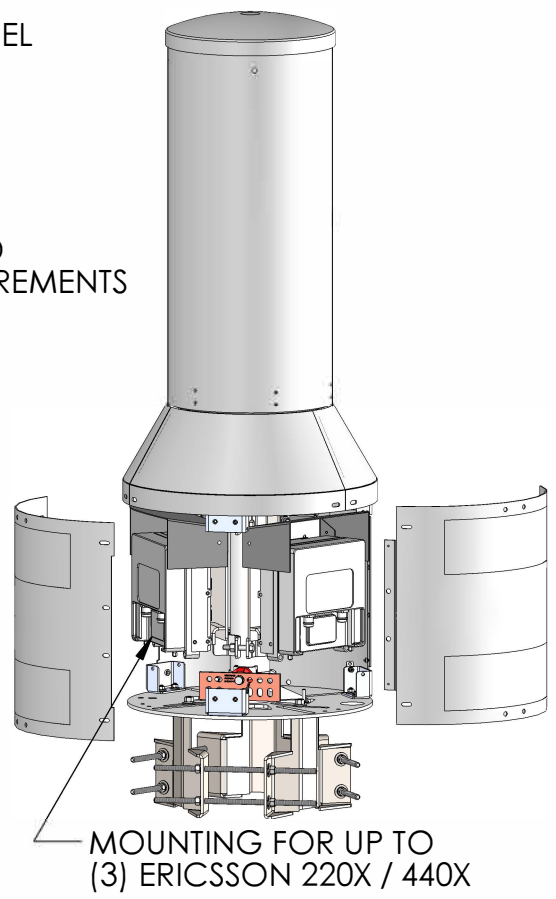
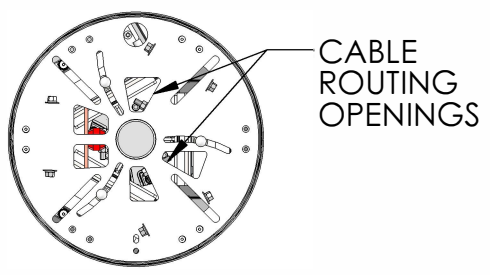
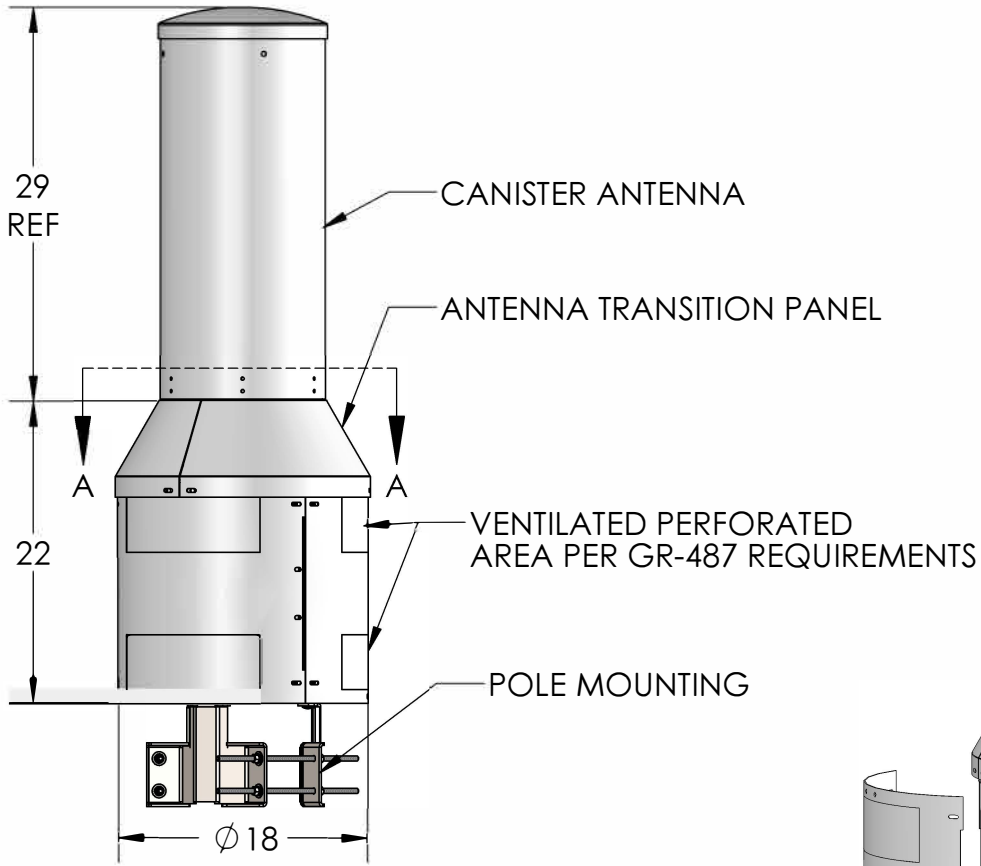
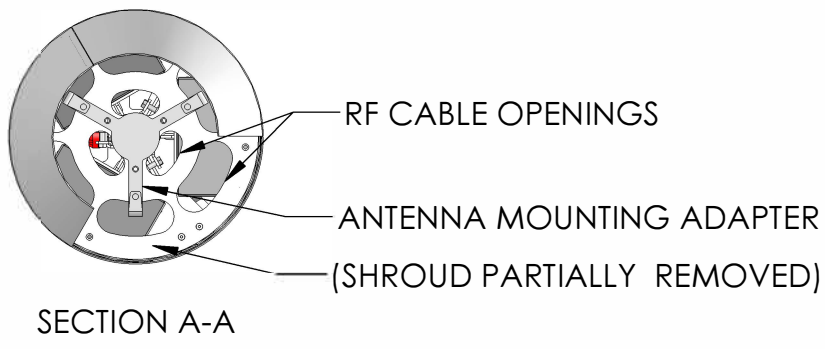
- As-built, accepts 3 Ericsson 220x / 440x radios.
- Orderable to mount multi-band and multi-port antennas from multiple antenna vendors.
- GR-487 thermally verified via convection cooling
- Variable pole diameter mounting kits included to mount to existing wood and metal structures.
- Multiple color options available.
- 47" Total Height with 24" antenna and mount



Overall Dimensions and Weight

Height / Diameter / Weight (Without antenna,radios,OVP)	16 in. (407mm) / 18.0 in. (457mm) / 31lbs. (14kg)
Finish	Galvanized per ASTM A123/A123M finish for all steel components; Aluminum components are RoHS complaint chromate. Concealment covers are powder coated Light Grey – RAL 7035. (Other colors available)
Antenna Compatibility (Orderable PN)	SSC-760233122E20x No antenna mount included – sold separately SSC-760233122E21x 12" dia antenna – CommScope (NH, NNVVSSP, V4SSPP) SSC-760233122E22x 16" dia antenna – Kathrein SSC-760233122E23x 14-15in dia Antenna- Amphenol, Ace, Galtronics, Gamma Nu SSC-760233122E24x 10in dia antenna - Galtronics, DK, Gamma Nu SSC-760233122E25x 8 in dia antenna CommScope (V360, VVSSP), Gamma Nu SSC-760233122E26x 16in dia antenna - KMW
Radio Compatibility (Ericsson)	Note: "x" denotes color. "1" for Light Grey, "2" for Green, "3" for Black, "4" for Brown (3) Ericsson model 2203/2205/2208/440x

REVISIONS			
REV.	DESCRIPTION	BY	DATE
A	INITIAL RELEASE	MJP	05/02/2019



These drawings and specifications are the proprietary property of CommScope Inc. and may be used only for the specific purpose authorized in writing by CommScope Inc.

ALL DIMENSIONS ARE IN INCHES U.S.S. TOLERANCES UNLESS OTHERWISE SPECIFIED:

.X = ±	.12	ANGLES	±2°
.XX = ±	.06	FRACTIONS	±1/32
.XXX = ±	.031		

REMOVE BURRS AND BREAK EDGES .005

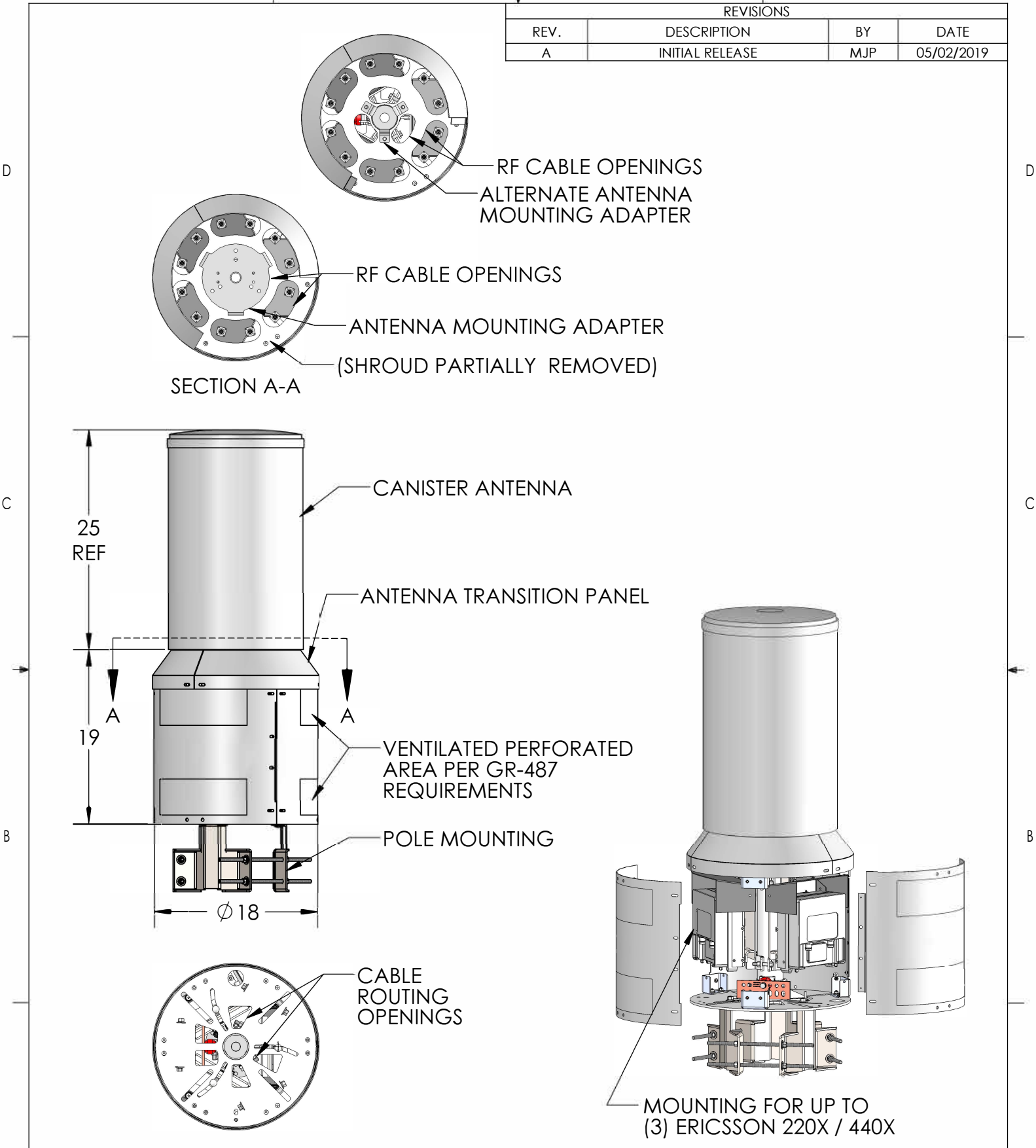
DO NOT SCALE THIS PRINT

DRAWN BY: MJP	SHEET: 1 of 1
CHECKED BY:	SCALE:
DATE:	MATERIAL:
REVISION: A	FINISH: WEIGHT:

PART NUMBER: SSC760233122E21X
DESCRIPTION: METRO CELL, SOLN - PT 18 IN
DRAWING TYPE:

COMMSCOPE®

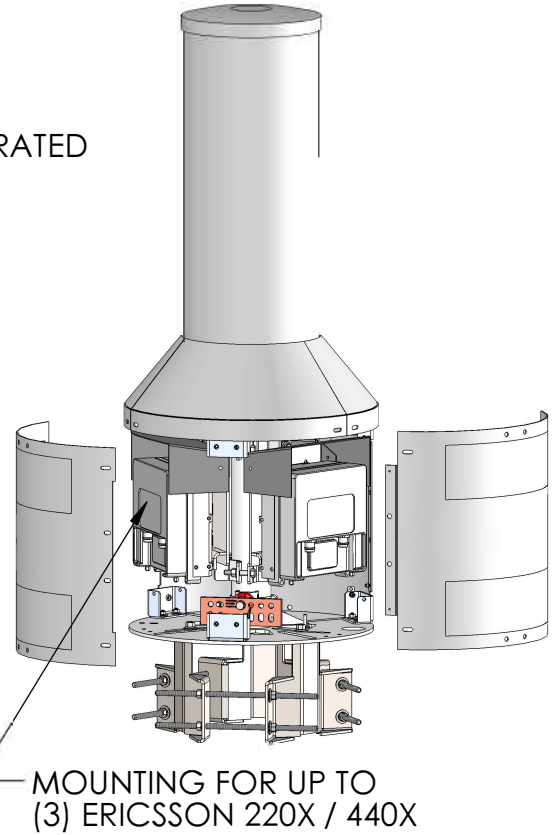
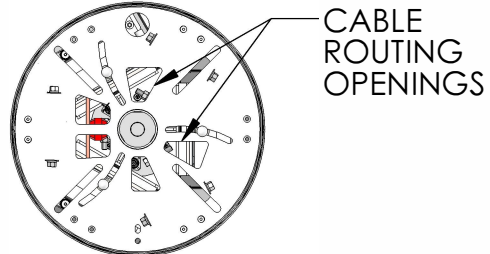
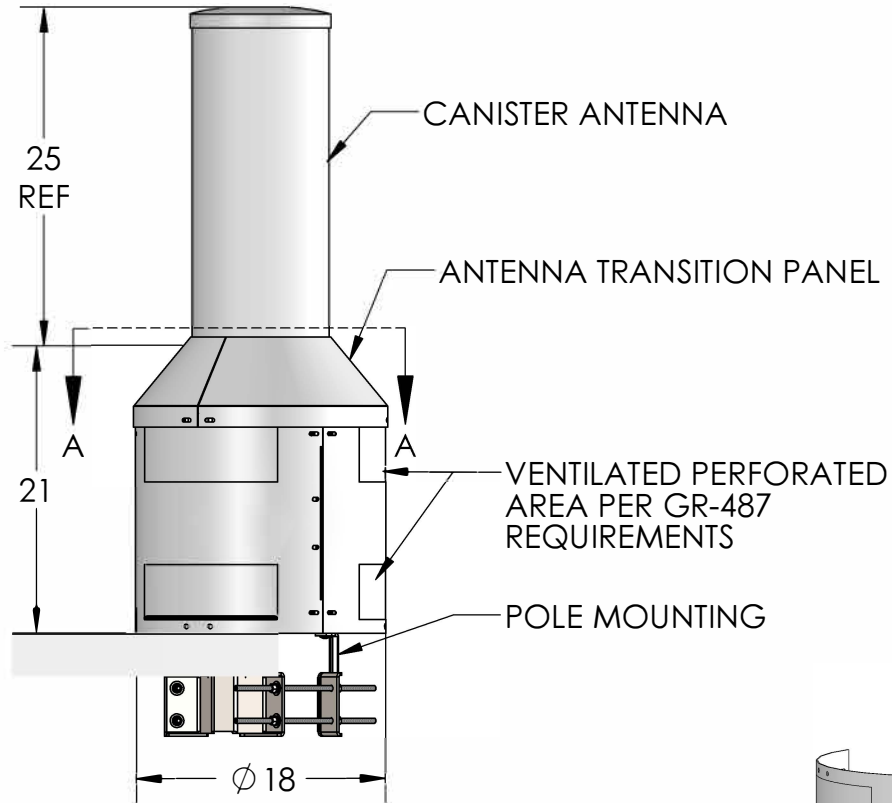
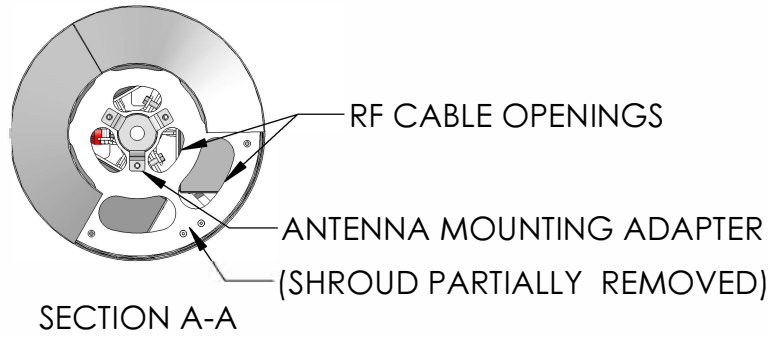
REVISIONS			
REV.	DESCRIPTION	BY	DATE
A	INITIAL RELEASE	MJP	05/02/2019



<p>These drawings and specifications are the proprietary property of CommScope Inc. and may be used only for the specific purpose authorized in writing by CommScope Inc.</p> <p>ALL DIMENSIONS ARE IN INCHES U.S.S. TOLERANCES UNLESS OTHERWISE SPECIFIED:</p> <p>.X = ± .12 ANGLES ±2° .XX = ± .06 FRACTIONS ±1/32 .XXX = ± .031</p> <p>REMOVE BURRS AND BREAK EDGES .005</p> <p>DO NOT SCALE THIS PRINT</p>	<p>DRAWN BY: MJP</p>	<p>SHEET: 1 of 1</p>	<p>PART NUMBER: SSC760233122E23X</p>
	<p>CHECKED BY:</p>	<p>SCALE:</p>	<p>DESCRIPTION: METRO CELL, SOLN - PT 18 IN</p>
	<p>DATE:</p>	<p>MATERIAL:</p>	<p>DRAWING TYPE:</p>
	<p>REVISION: A</p>	<p>FINISH:</p>	<p>WEIGHT:</p>

COMMSCOPE®

REVISIONS			
REV.	DESCRIPTION	BY	DATE
A	INITIAL RELEASE	MJP	05/02/2019



These drawings and specifications are the proprietary property of CommScope Inc. and may be used only for the specific purpose authorized in writing by CommScope Inc.

ALL DIMENSIONS ARE IN INCHES U.S.S. TOLERANCES UNLESS OTHERWISE SPECIFIED:

.X = ±	.12	ANGLES	±2°
.XX = ±	.06	FRACTIONS	±1/32
.XXX = ±	.031		

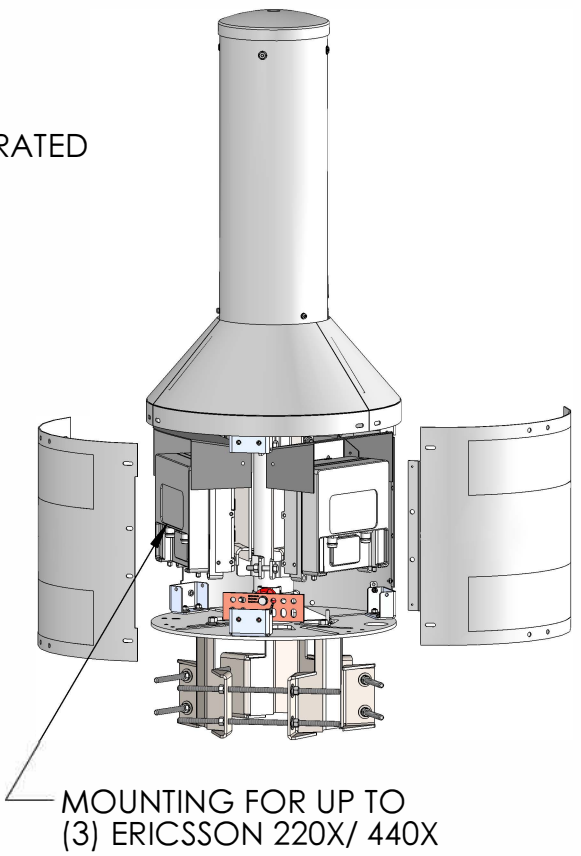
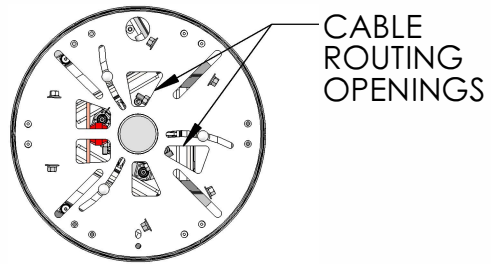
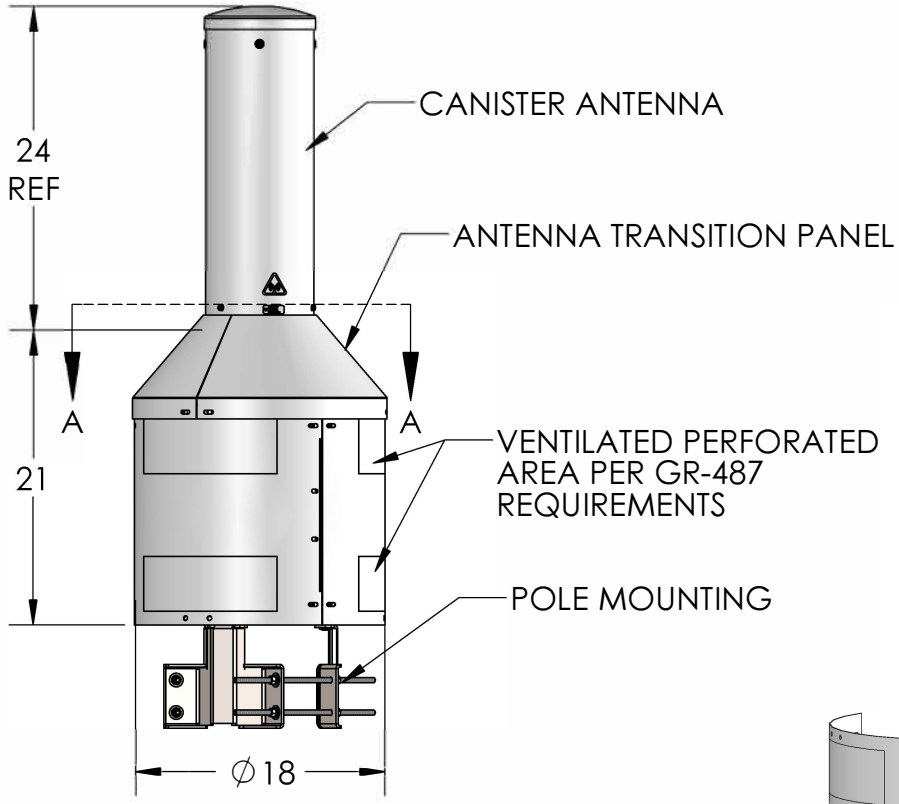
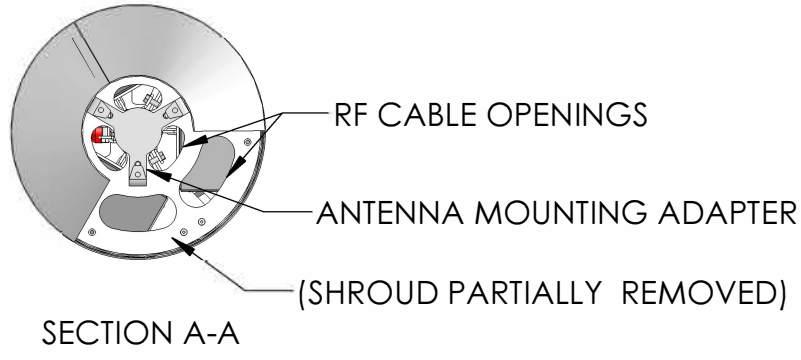
REMOVE BURRS AND BREAK EDGES .005

DO NOT SCALE THIS PRINT

DRAWN BY: MJP	SHEET: 1 of 1	PART NUMBER: SSC760233122E24X
CHECKED BY:	SCALE:	DESCRIPTION: METRO CELL, SOLN - PT 18 IN
DATE:	MATERIAL:	DRAWING TYPE:
REVISION: A	FINISH:	
	WEIGHT:	

COMMSCOPE®

REVISIONS			
REV.	DESCRIPTION	BY	DATE
A	INITIAL RELEASE	MJP	05/02/2019



These drawings and specifications are the proprietary property of CommScope Inc. and may be used only for the specific purpose authorized in writing by CommScope Inc.

ALL DIMENSIONS ARE IN INCHES U.O.S. TOLERANCES UNLESS OTHERWISE SPECIFIED:

.X = ±	.12	ANGLES	±2°
.XX = ±	.06	FRACTIONS	±1/32
.XXX = ±	.031		

REMOVE BURRS AND BREAK EDGES .005

DO NOT SCALE THIS PRINT

DRAWN BY: MJP	SHEET: 4 of 1	PART NUMBER: SSC760233122E25X
CHECKED BY:	SCALE:	DESCRIPTION: METRO CELL, SOLN - PT 18 IN
DATE:	MATERIAL:	DRAWING TYPE:
REVISION: A	FINISH:	
	WEIGHT:	

