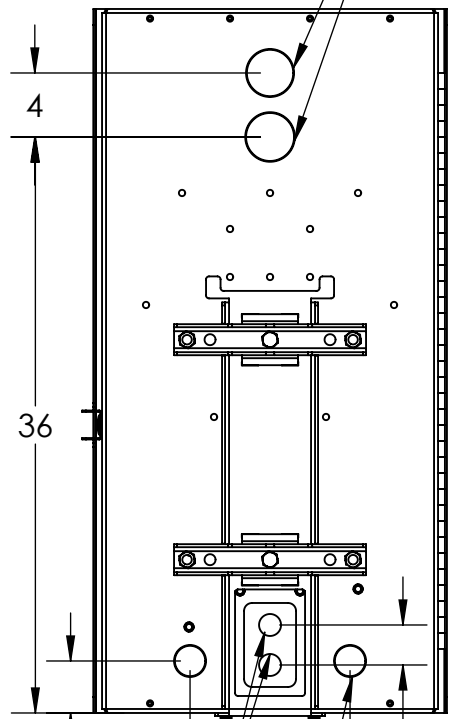
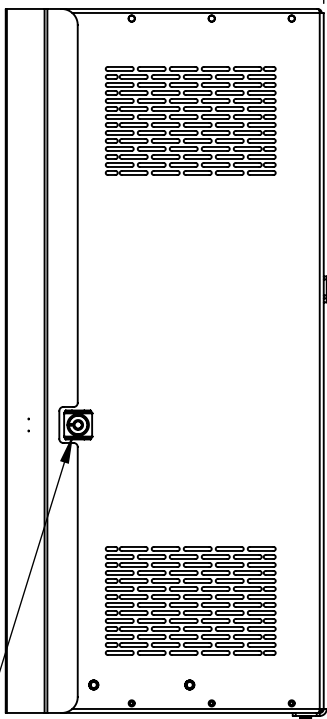
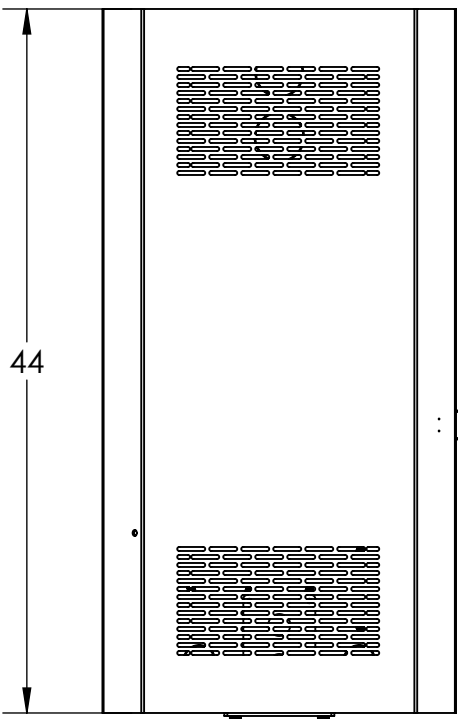


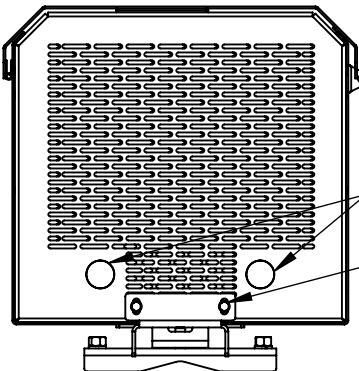
(2) $\phi 3$ KNOCKOUTS FOR RF CABLE ROUTING OPTION

UNIVERSAL POLE MOUNTING BRACKET

20



TAMPER RESISTANT LATCH WITH PADLOCK HASP



(2) 1" TRADE SIZE KNOCKOUTS

(2) $\phi 2$ KNOCKOUTS FOR CABLE ENTRY/EXIT

(2) 1 3/4" KNOCKOUTS

TAMPER RESISTANT M10 SCREWS

These drawings and specifications are the proprietary property of CommScope Inc. and may be used only for the specific purpose authorized in writing by CommScope Inc.

ALL DIMENSIONS ARE IN INCHES U.O.S. TOLERANCES UNLESS OTHERWISE SPECIFIED:

.X = $\pm .12$ ANGLES $\pm 2^\circ$
 .XX = $\pm .06$ FRACTIONS $\pm 1/32$
 .XXX = $\pm .031$

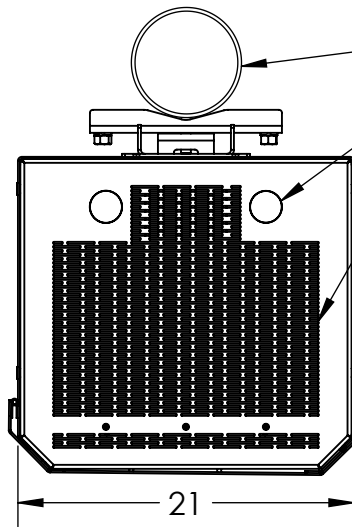
REMOVE BURRS AND BREAK EDGES .005

DO NOT SCALE THIS PRINT

DRAWN BY: MJP	SHEET: 1 of 1
CHECKED BY:	SCALE:
DATE: 05/11/2020	MATERIAL:
REVISION: A	FINISH:
	WEIGHT:

PART NUMBER: SSC-760237600Nxx
DESCRIPTION: METROCELL RADIO CONCEALMENT ENCLOSURE
DRAWING TYPE: MICRO RADIO SOLUTION, NOK

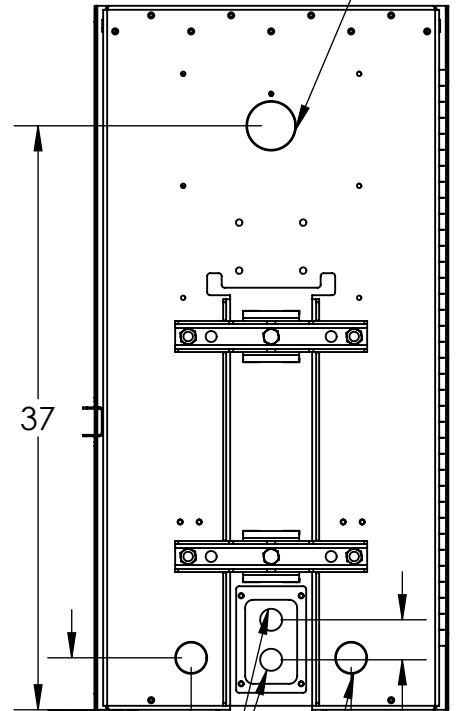
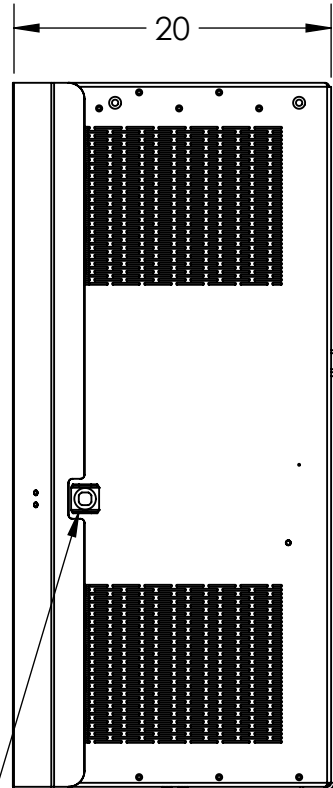
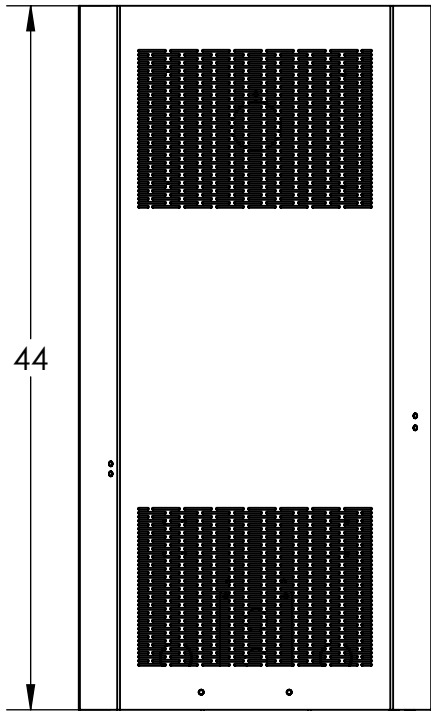
COMMSCOPE®



SHOWN MOUNTED ON AN $\phi 8$ POLE CLAMP, STRAP, AND THRU BOLT OPTIONS
 (2) $\phi 2$ KNOCKOUTS FOR CABLE ENTRY/EXIT (CROSS CUT RUBBER GROMMETS INCLUDED)
 FULLY VENTILATED WITH GR487 COMPLIANT PERF PATTERNS

$\phi 3$ KNOCKOUTS FOR RF CABLE ROUTING OPTION

UNIVERSAL POLE MOUNTING BRACKET



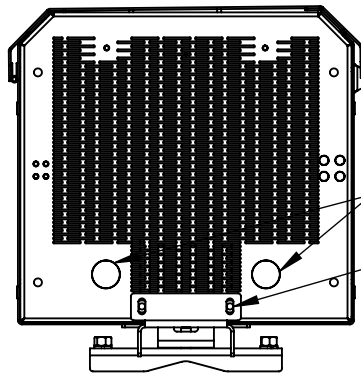
TAMPER RESISTANT LATCH WITH PADLOCK HASP

(2) 1" TRADE SIZE KNOCKOUTS

(2) $\phi 2$ KNOCKOUTS FOR CABLE ENTRY/EXIT

(2) 1 3/4" KNOCKOUTS

TAMPER RESISTANT M10 SCREWS



These drawings and specifications are the proprietary property of CommScope Inc. and may be used only for the specific purpose authorized in writing by CommScope Inc.

ALL DIMENSIONS ARE IN INCHES U.S. TOLERANCES UNLESS OTHERWISE SPECIFIED:

X = $\pm .12$ ANGLES $\pm 2^\circ$
 .XX = $\pm .06$ FRACTIONS $\pm 1/32$
 .XXX = $\pm .031$

REMOVE BURRS AND BREAK EDGES .005

DO NOT SCALE THIS PRINT

DRAWN BY: MJP

CHECKED BY:

DATE: 05/11/2020

REVISION: A

SHEET: 2 of 1

SCALE:

MATERIAL:

FINISH:

WEIGHT:

PART NUMBER: SSC-760237600Exx

DESCRIPTION: METROCELL RADIO CONCEALMENT ENCLOSURE

DRAWING TYPE: MICRO RADIO SOLUTION, ERC

COMMScope®

4

3

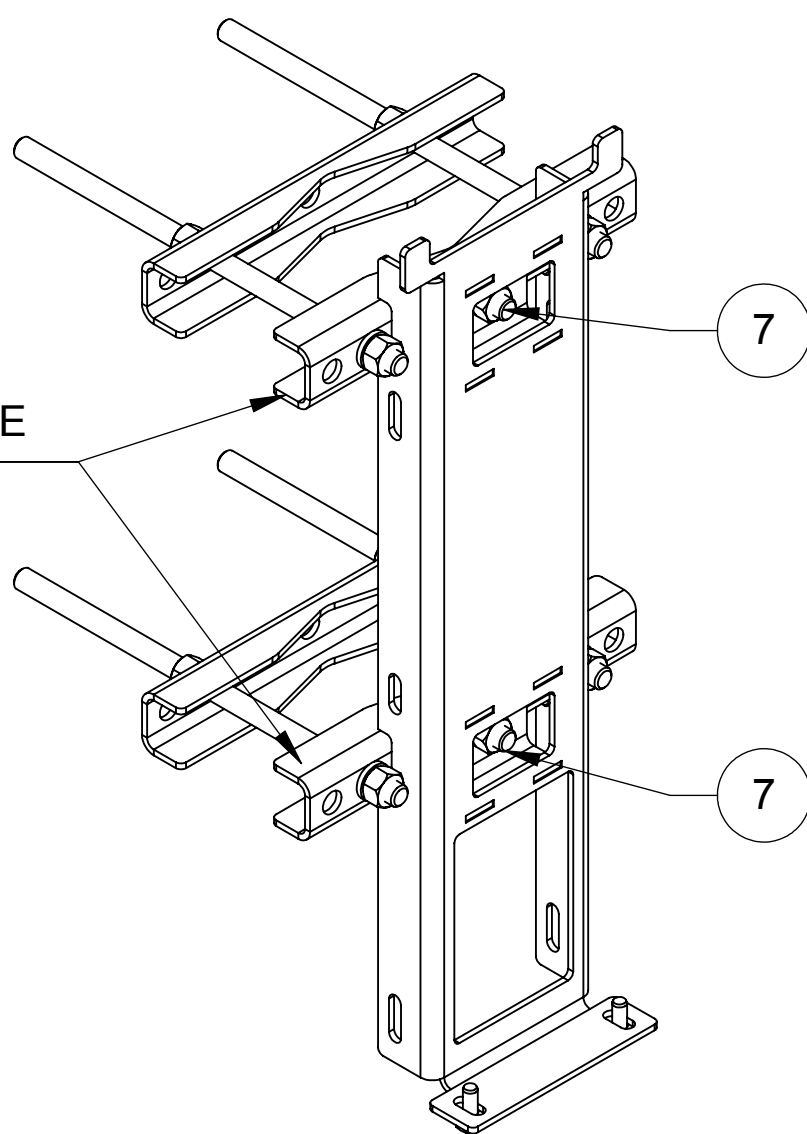
2

1

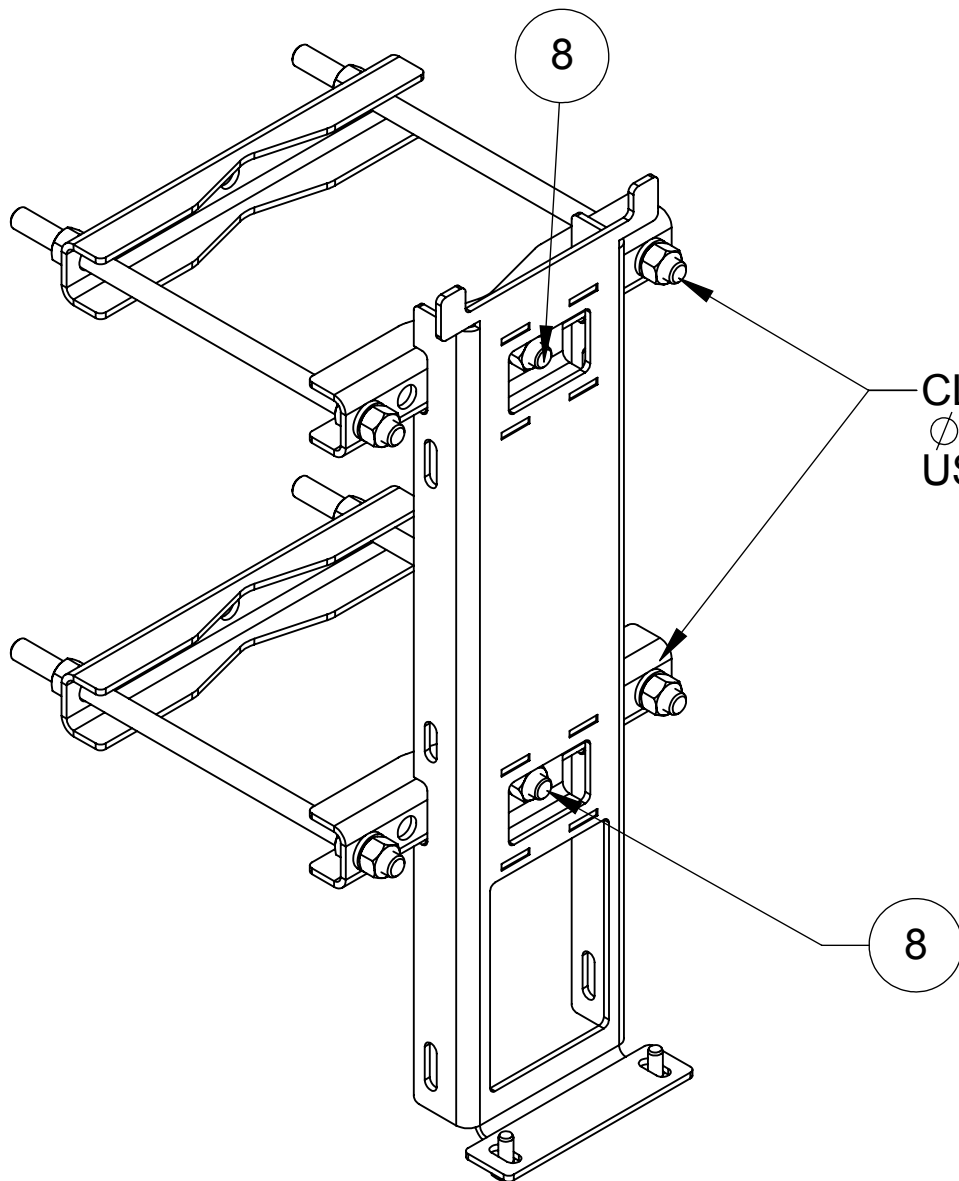
NOTES:

CLAMPING SET-UPS

CLAMP SET-UP FOR
Ø2.38" TO Ø4.5" POLE
USE INNER HOLES.

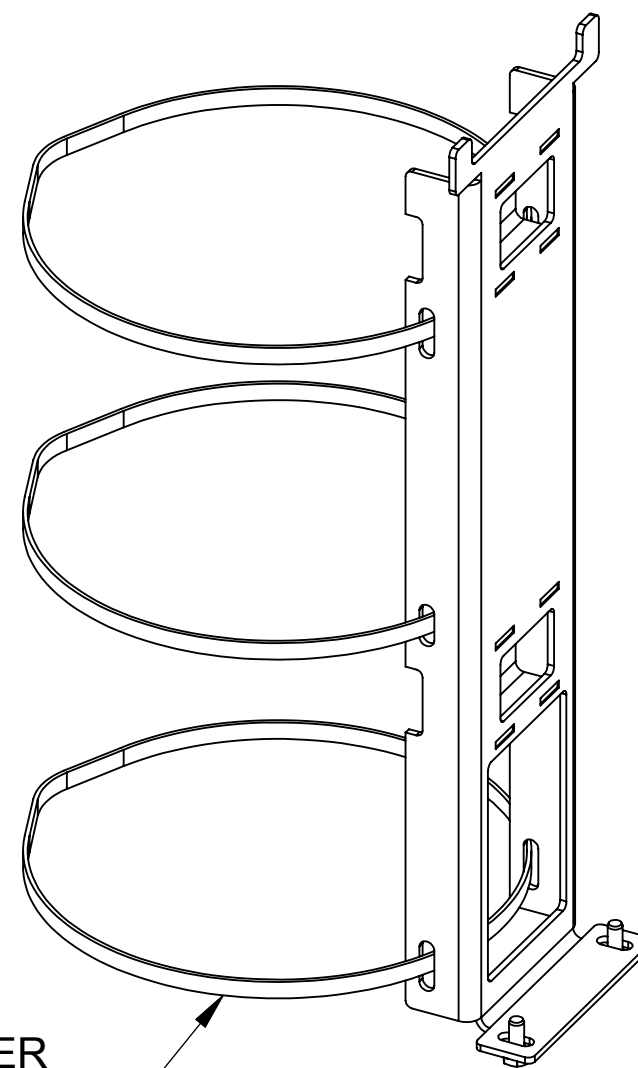


CLAMP SET-UP FOR
Ø4.5" TO Ø8.63" POLE
USE OUTER HOLES

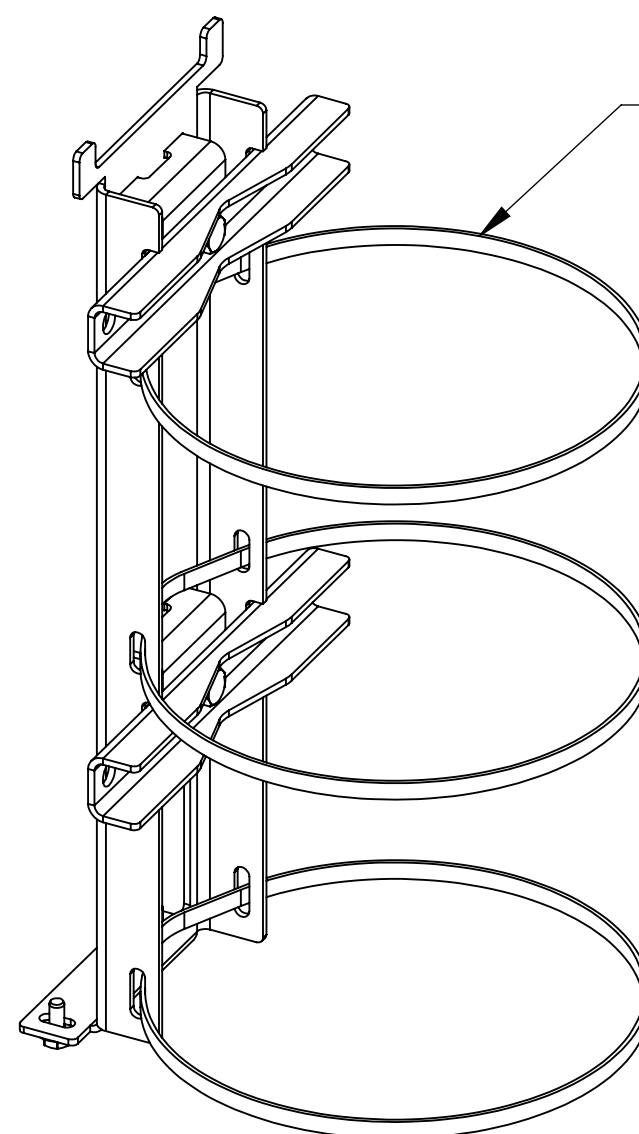


BANDING SET-UPS

CUSTOMER
SUPPLIED
BANDING

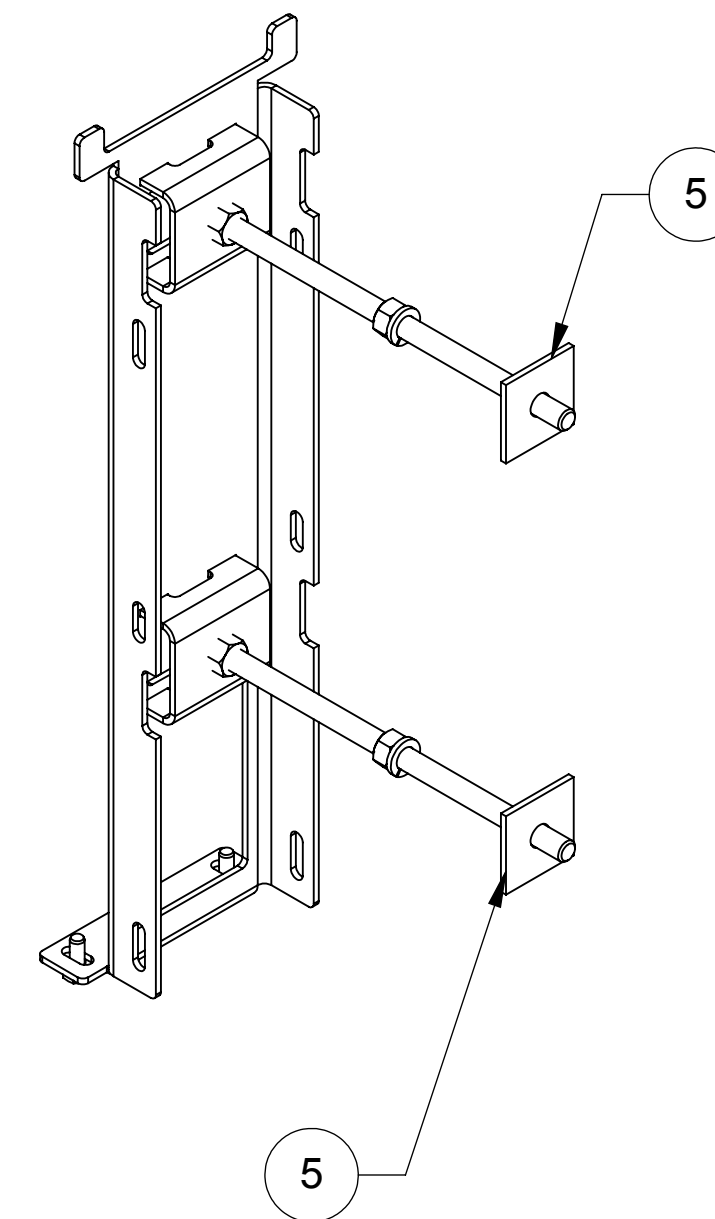


CUSTOMER
SUPPLIED
BANDING



WOOD POLE SET-UP

5



COMMSCOPE, INC. OF NORTH CAROLINA

TITLE
ENCLOSURE POLE MOUNT ASSEMBLY

SIZE C	SCALE 1:5	DOCUMENT NO. SSC-760237600E1xx Installation
------------------	---------------------	---



DRAWING		
VERSION	STATUS	REVISION
		A

SHEET
2 OF 6

4

3

2

1