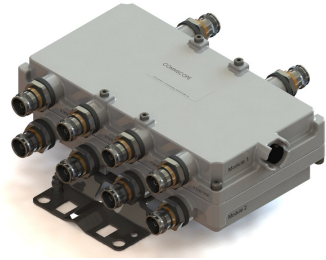


E14F06P70



Ultra Compact Quad Diplexer, 2550–2570/2670–2690 MHz, DC Block, with 4.3-10 connectors

- Industry leading PIM performance
- New 4.3-10 connectors for improved PIM performance and size reduction
- dc/AISG blocking on all ports
- Compact form factor with reduced size and weight

Product Classification

Product Type Diplexer

General Specifications

Color Gray

Modularity 4-Quad

Mounting Pole | Wall

Mounting Pipe Hardware Band clamps (2)

RF Connector Interface 4.3-10 Female

Dimensions

Height 131 mm | 5.157 in

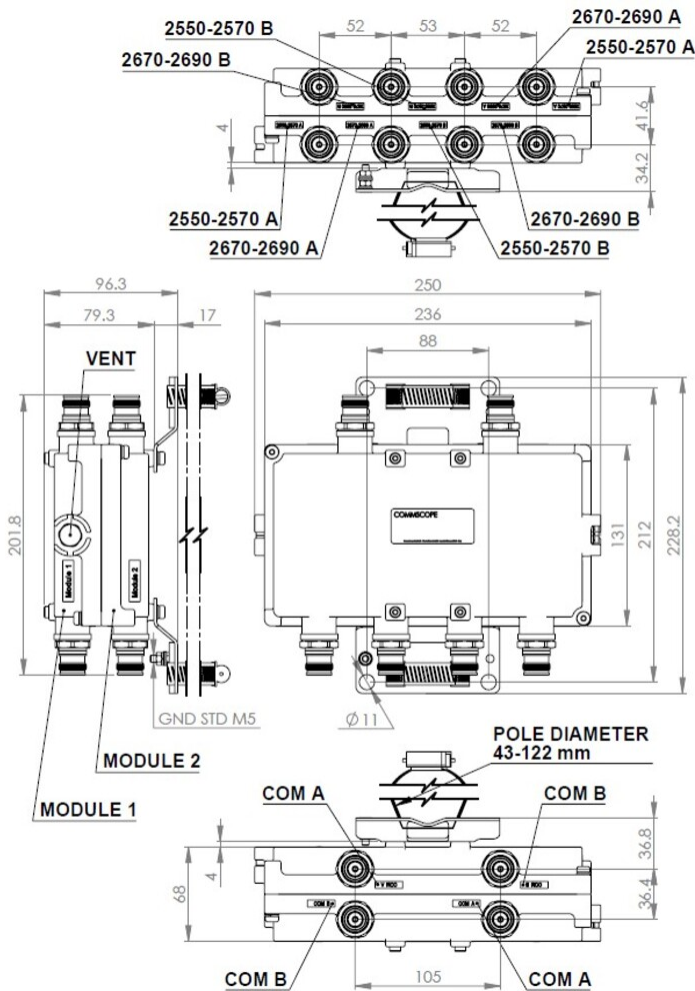
Width 68 mm | 2.677 in

Depth 236 mm | 9.291 in

Mounting Pipe Diameter Range 43–122 mm

Outline Drawing

E14F06P70



Electrical Specifications

Impedance 50 ohm

Electrical Specifications, dc Power/Alarm

dc/AISG Pass-through Method No dc/AISG pass-through

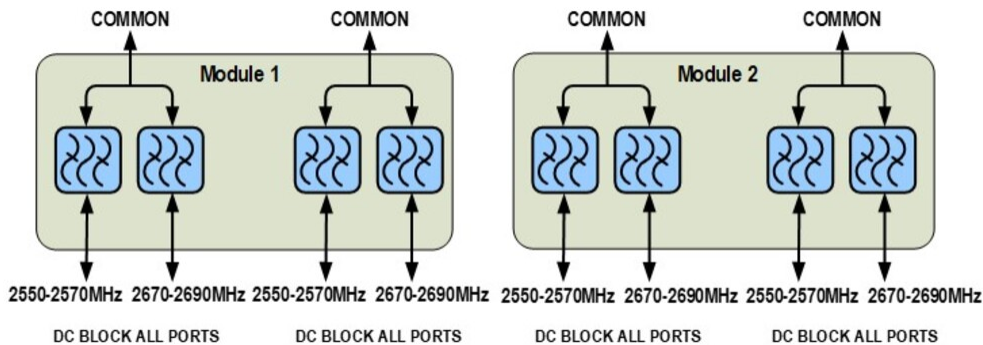
Electrical Specifications

Sub-module	1 2	1 2
Branch	1	2
Port Designation	PORT 1 2550-2570	PORT 2 2670-2690
Frequency Range, MHz	2550-2570	2670-2690

E14F06P70

Insertion Loss, typical, dB	0.15	0.15
Return Loss, typical, dB	20	20
Isolation, typical, dB	45	45
Input Power, RMS, maximum, W	100	100
Input Power, PEP, maximum, W	1000	1000

Block Diagram



Environmental Specifications

Operating Temperature	-40 °C to +65 °C (-40 °F to +149 °F)
Corrosion Test Method	IEC 60068-2-11, 30 days
Environmental Test Method	ETSI EN 300 019-1-4
Ingress Protection Test Method	IEC 60529:2001, IP67

Packaging and Weights

Included	Mounting hardware
Volume	2.1 L
Weight, net	3.6 kg 7.937 lb
Weight, without mounting hardware	3.4 kg 7.496 lb