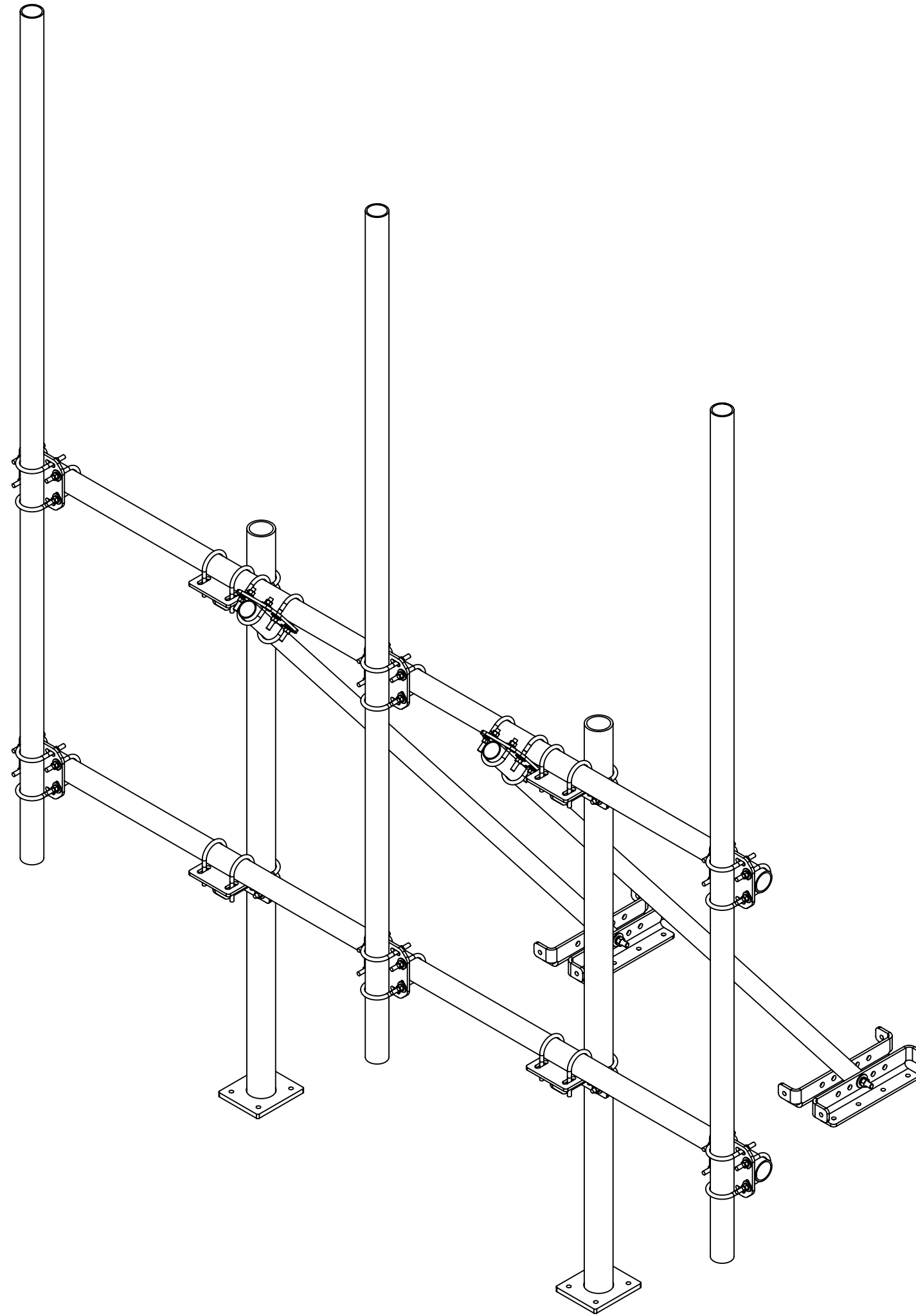


NOTES:

- 1.0 GENERAL
 - 1.1 ALL METRIC DIMENSIONS ARE IN BRACKETS
 - 1.2 FOR PATENT, SEE WWW.CS-PAT.COM
- 2.0 DESIGN NOTES
 - 2.1 ANCHORS SUPPLIED BY CONTRACTOR PER EOR INSTRUCTIONS
- 3.0 MANUFACTURING/SPECIAL REQUIREMENTS
- 4.0 TEST
- 5.0 PACKAGING

REVISIONS				
REV.	ECN	DESCRIPTION	BY	DATE
A	8000035243	INITIAL RELEASE	RJC	05/28/19
B	8000038453	REPL MT-379-6 W/GB-05505 UPDT BOM ACCORDINGLY	RJC	12/04/19



RT-SF10-3-126 SHOWN

TOP LEVEL COMPONENTS

PART NO.	DESCRIPTION	SECTOR KIT	CROSSOVER KIT	PIPE BUNDLE
RT-SF7-B	MOUNT, 7' BOLTED W/O PIPES	RT-NF-SCTR	N/A	PB0207K
RT-SF7-2-96	MOUNT, 7' BOLTED W/2 96" PIPES	RT-NF-SCTR	XP-2525 (QTY 4)	PB0208K0207K
RT-SF7-2-126	MOUNT, 7' BOLTED W/2 126" PIPES	RT-NF-SCTR	XP-2525 (QTY 4)	PB0210K0207K
RT-SF7-3-96	MOUNT, 7' BOLTED W/3 96" PIPES	RT-NF-SCTR	XP-2525 (QTY 6)	PB0308K0207K
RT-SF7-3-126	MOUNT, 7' BOLTED W/3 126" PIPES	RT-NF-SCTR	XP-2525 (QTY 6)	PB0310K0207K
RT-SF10-B	MOUNT, 10' BOLTED W/O PIPES	RT-NF-SCTR	N/A	PB0210K
RT-SF10-3-96	MOUNT, 10' BOLTED W/3 96" PIPES	RT-NF-SCTR	XP-2525 (QTY 6)	PB0210K0308K
RT-SF10-3-126	MOUNT, 10' BOLTED W/3 126" PIPES	RT-NF-SCTR	XP-2525 (QTY 6)	PB0510K
RT-SF10-4-96	MOUNT, 10' BOLTED W/4, 96" PIPES	RT-NF-SCTR	XP-2525 (QTY 8)	PB0210K0408K
RT-SF10-4-126	MOUNT, 10' BOLTED W/4, 126" PIPES	RT-NF-SCTR	XP-2525 (QTY 8)	PB0610K
RT-SF12-B	MOUNT, 12' BOLTED W/O PIPES	RT-NF-SCTR	N/A	PB0212K
RT-SF12-3-96	MOUNT, 12' BOLTED W/3 96" PIPES	RT-NF-SCTR	XP-2525 (QTY 6)	PB0212K0308K
RT-SF12-3-126	MOUNT, 12' BOLTED W/3 126" PIPES	RT-NF-SCTR	XP-2525 (QTY 6)	PB0212K0310K
RT-SF12-4-96	MOUNT, 12' BOLTED W/4 96" PIPES	RT-NF-SCTR	XP-2525 (QTY 8)	PB0212K0408K
RT-SF12-4-126	MOUNT, 12' BOLTED W/4 126" PIPES	RT-NF-SCTR	XP-2525 (QTY 8)	PB0212K0410K

PIPE BUNDLE TABLE

PART NO.	FACE PIPE	ANTENNA PIPE
PB0207K	MT54684	N/A
PB0208K0207K	MT54684	MT54696
PB0210K0207K	MT54684	MT-546-126
PB0308K0207K	MT54684	MT54696
PB0310K0207K	MT54684	MT-546-126
PB0210K	MT-546-126	N/A
PB0210K0308K	MT-546-126	MT54696
PB0510K	MT-546-126	MT-546-126
PB0210K0408K	MT-546-126	MT54696
PB0610K	MT-546-126	MT-546-126
PB0212K	MT-546-150	N/A
PB0212K0308K	MT-546-150	MT54696
PB0212K0310K	MT-546-150	MT-546-126
PB0212K0408K	MT-546-150	MT54696
PB0212K0410K	MT-546-150	MT-546-126

DENSITY	659.50	lbs/in ³
MASS	2360.19	lbs
VOLUME	21183.54	in ³
SURFACE AREA		
HEIGHT		
LENGTH		
WIDTH		

COMMSCOPE, INC. OF NORTH CAROLINA

TOLERANCES		SAP MATERIAL MASTER						
0 PLACE X ± .25	2 PLACE .XX ± 0.06	RT-SF						
1 PLACE .X ± 0.12	ANGLES ± 2°							
FINISH GALV A123		MATERIAL A500, A1011/A1018						
UNLESS OTHERWISE SPECIFIED DIMENSIONS ARE IN INCHES INTERPRET PER ANSI Y14.5M-1994	NAME	DATE	TITLE					
	CE RJC	05/14/19	MOUNT, BOLTED ROOF TOP					
	RW BCAMPBELLCON	12/09/2019						
	RV							
	AD MC1107	12/10/2019						
RE FA1024	12/11/2019	SCALE	DOCUMENT NO.					
ECN 008000038453	1:15	RT-SF						
SIZE	WORK AREA 24	MODEL						
C		VERSION	STATUS	REVISION	VERSION	STATUS	REVISION	SHEET
		02	RE	C	02	RE	B	1 OF 4

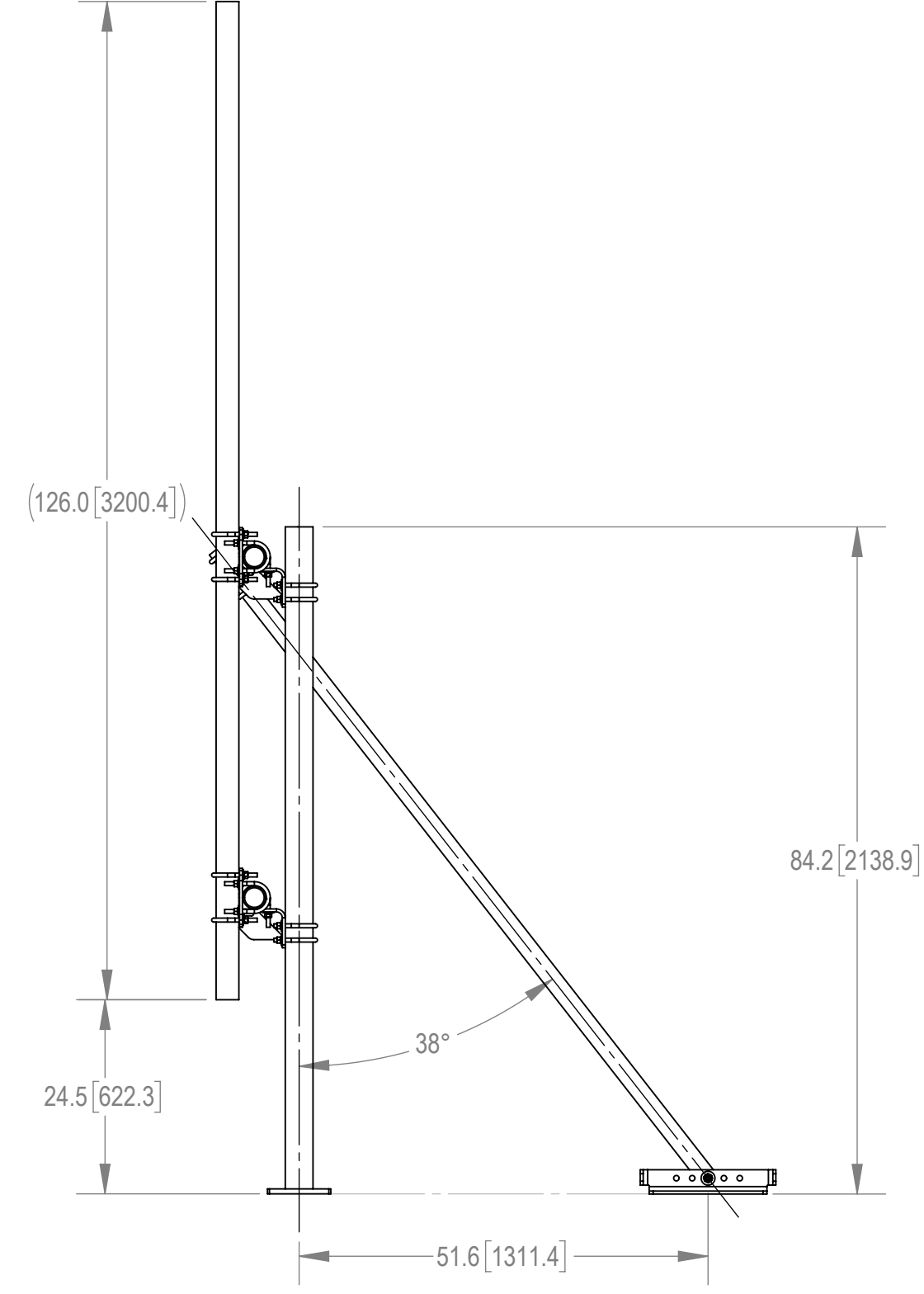
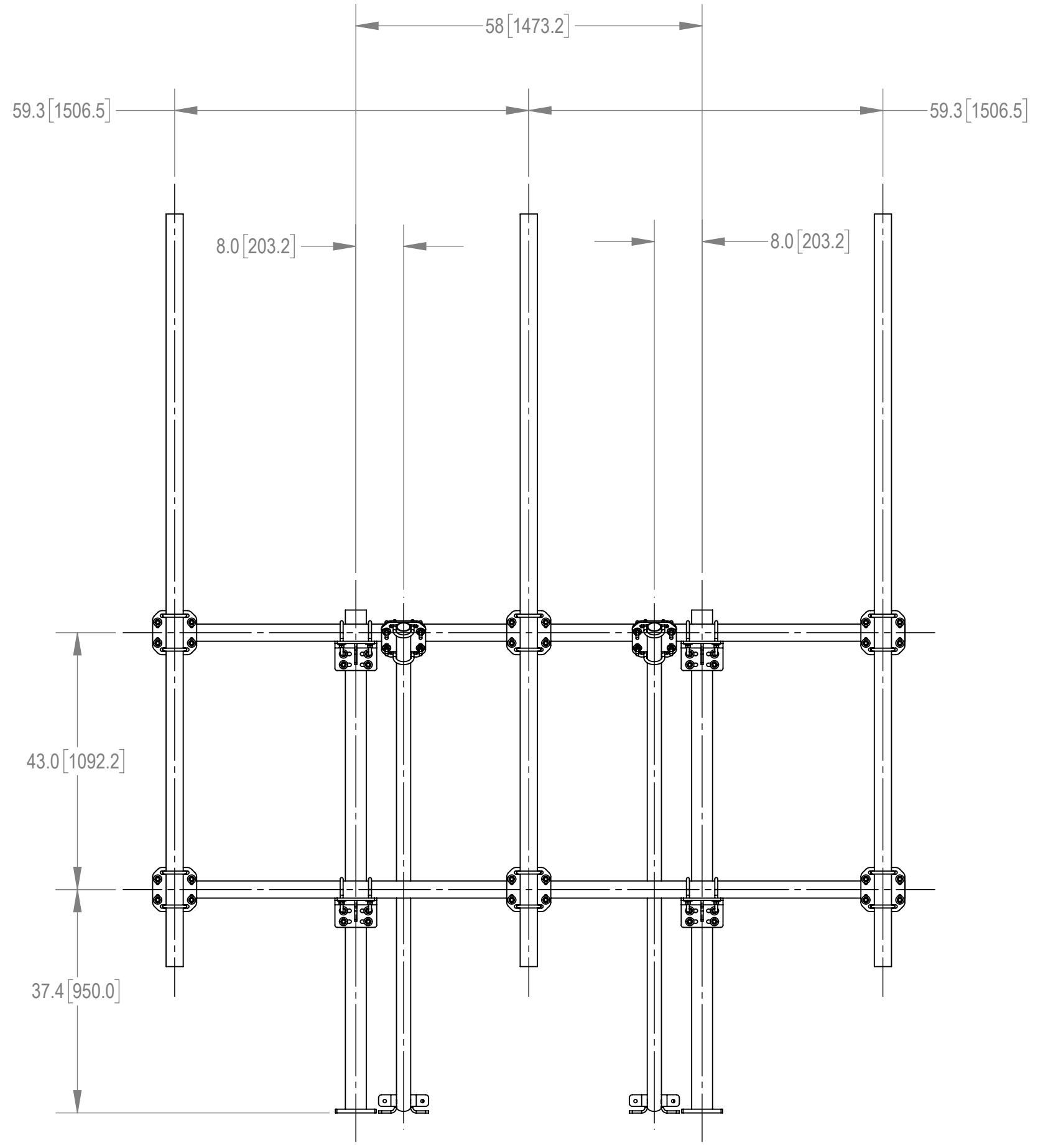
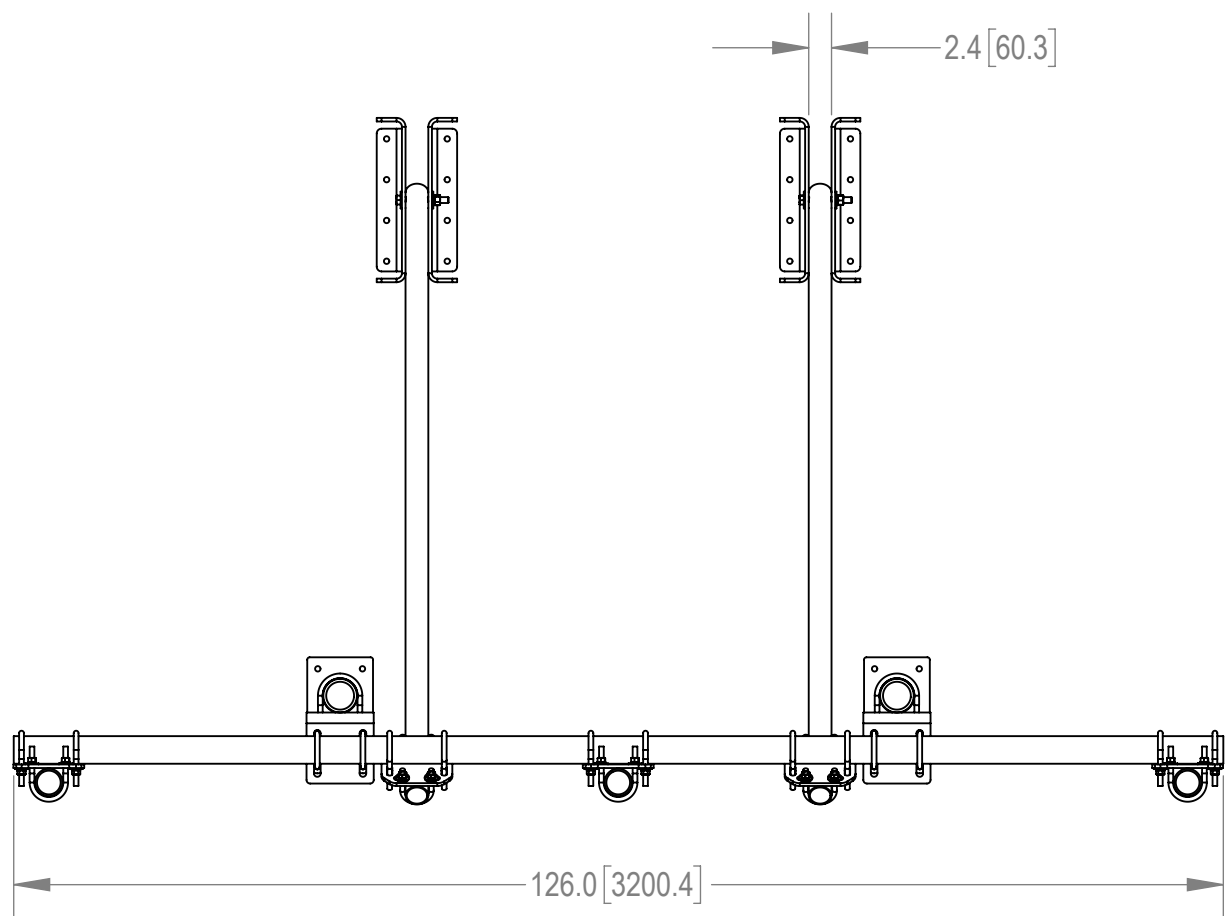
4

3

2

1

NOTES:



RT-SF10-3-126 SHOWN

COMMSCOPE, INC. OF NORTH CAROLINA

TITLE			
MOUNT, BOLTED ROOF TOP			

SIZE	SCALE	DOCUMENT NO.		
C	1:20	RT-SF		
		DRAWING		
		VERSION	STATUS	REVISION
		02	RE	B
				SHEET
				2 OF 4

© 2019 CommScope, Inc. Confidential

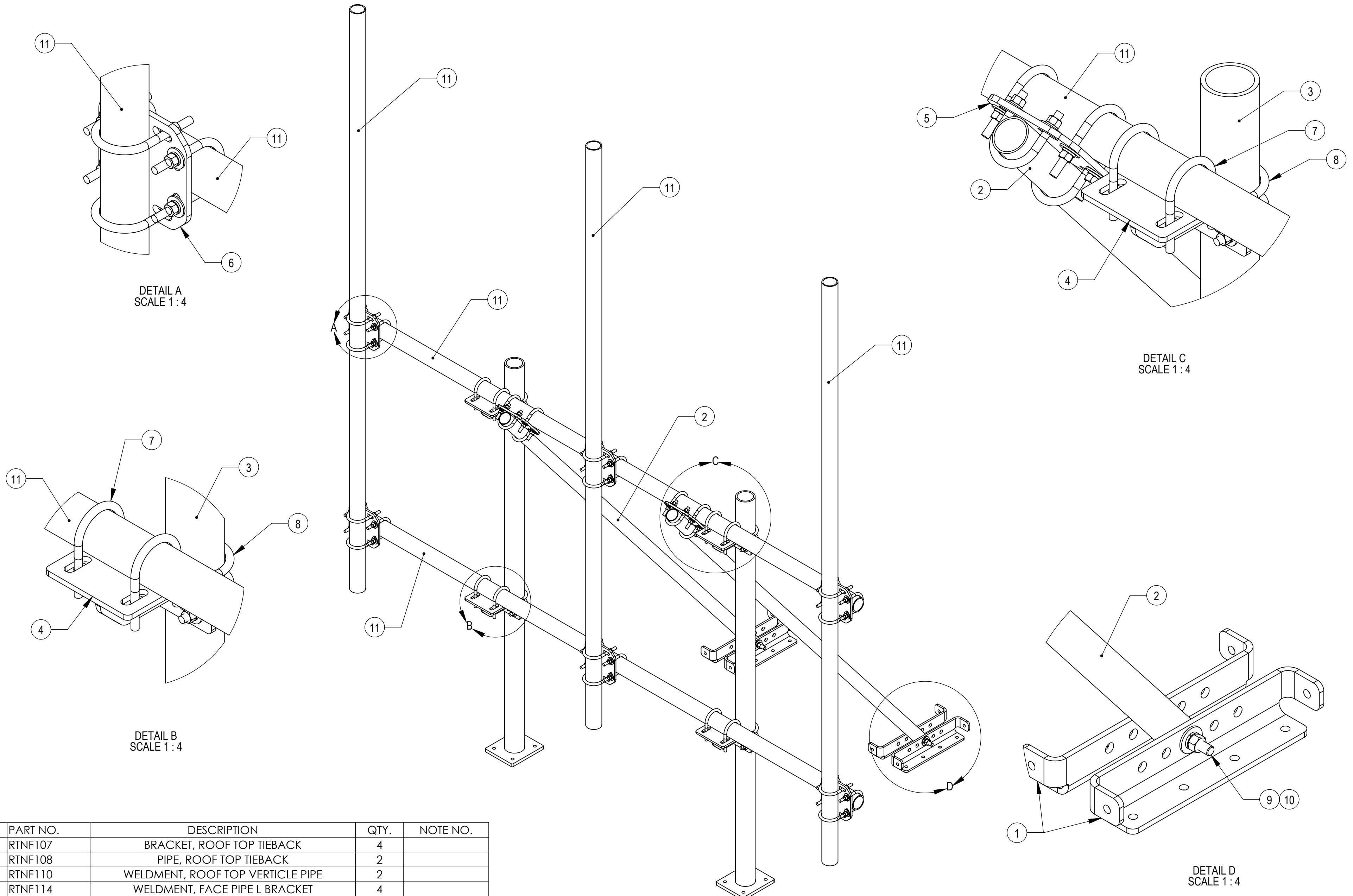
4

3

2

1

NOTES:



DETAIL A
SCALE 1:4

DETAIL C
SCALE 1:4


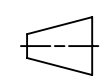
DETAIL B
SCALE 1:4

DETAIL D
SCALE 1:4

ITEM	PART NO.	DESCRIPTION	QTY.	NOTE NO.
1	RTNF107	BRACKET, ROOF TOP TIEBACK	4	
2	RTNF108	PIPE, ROOF TOP TIEBACK	2	
3	RTNF110	WELDMENT, ROOF TOP VERTICAL PIPE	2	
4	RTNF114	WELDMENT, FACE PIPE L BRACKET	4	
5	XP-2025	CROSSOVER PLATE KIT, 2-3/8 OD X 2-7/8 OD	2	
6	XP-2525	CROSSOVER PLATE KIT, 2-7/8 OD X 2-7/8 OD	6	
7	GUB-4352	1/2" X 3" X 5-1/4" GALV U-BOLT	8	
8	GUB-4355	1/2" X 3-5/8" X 5" GALV U-BOLT	8	
9	GB-05505	5/8" X 5" GALV BOLT KIT	2	
10	GW-05	5/8" GALV FLAT WASHER, 1.7OD	4	
11	MT-546-126	2.875" O.D X 126" PIPE	5	

RT-SF10-3-126 SHOWN

© 2019 CommScope, Inc. Confidential

COMMSCOPE, INC. OF NORTH CAROLINA				
TITLE MOUNT, BOLTED ROOF TOP				
SIZE C	SCALE 1:12	DOCUMENT NO. RT-SF		
 		DRAWING		SHEET 3 OF 4
		VERSION 02	STATUS RE	

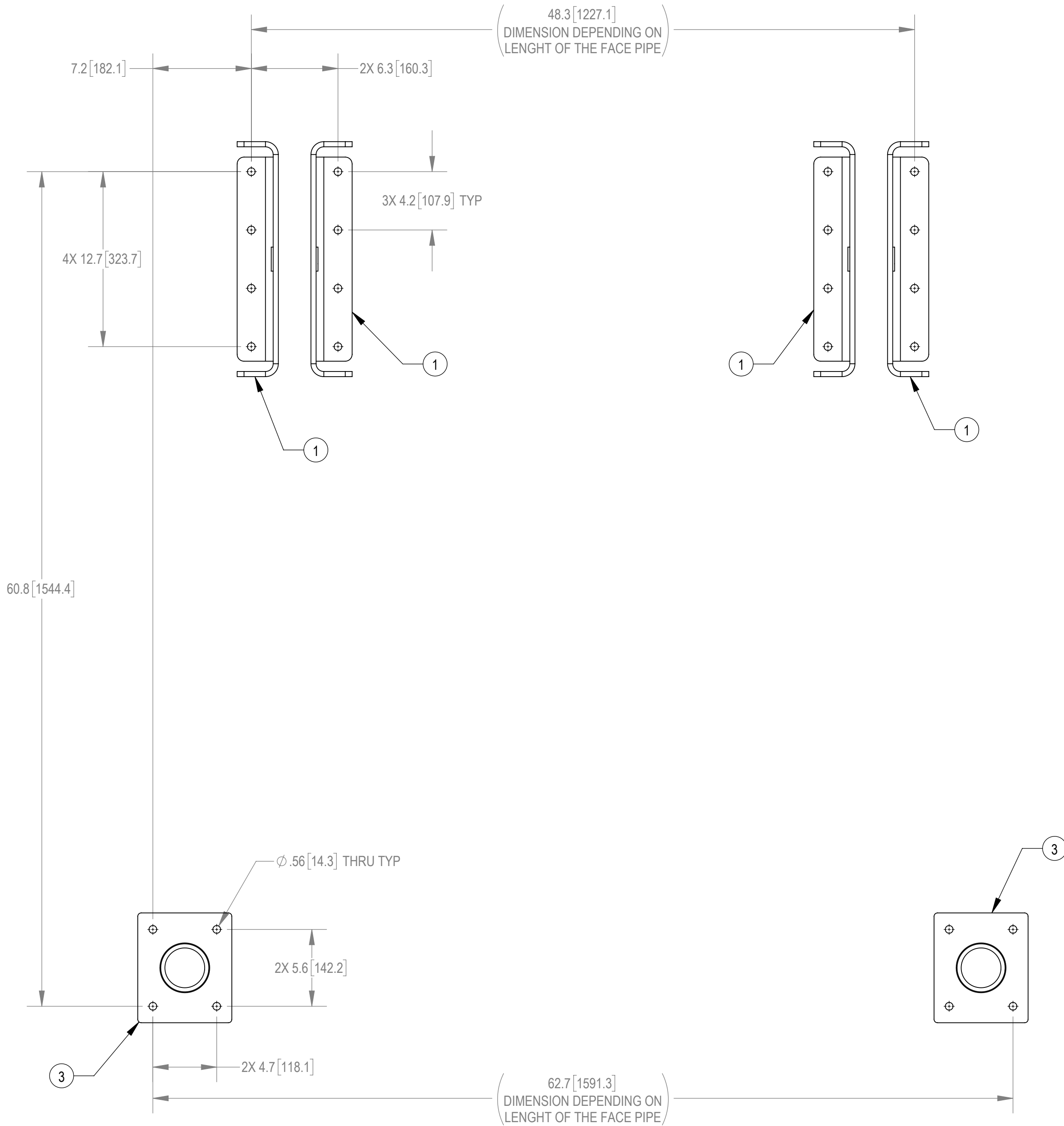
4

3

2


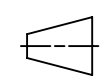
1

NOTES:



MOUNTING PATTERN
 ANCHORS SUPPLIED BY CONTRACTOR PER EOR INSTRUCTION

RT-SF10-3-126 SHOWN

COMMSCOPE, INC. OF NORTH CAROLINA					
TITLE MOUNT, BOLTED ROOF TOP					
SIZE C	SCALE 1:6	DOCUMENT NO. RT-SF			
 		DRAWING			SHEET 4 OF 4
		VERSION 02	STATUS RE	REVISION B	

4

3

2

1