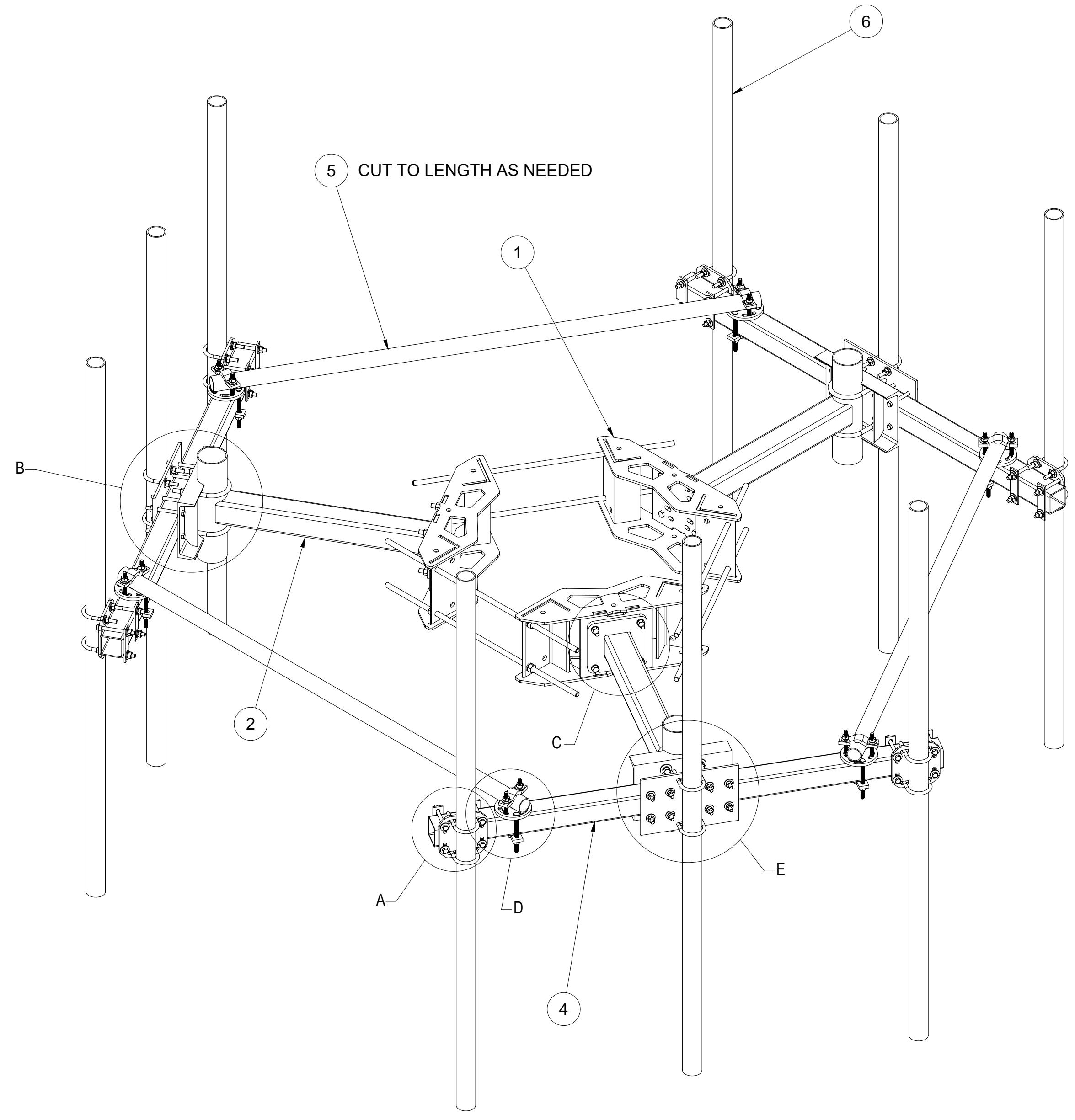
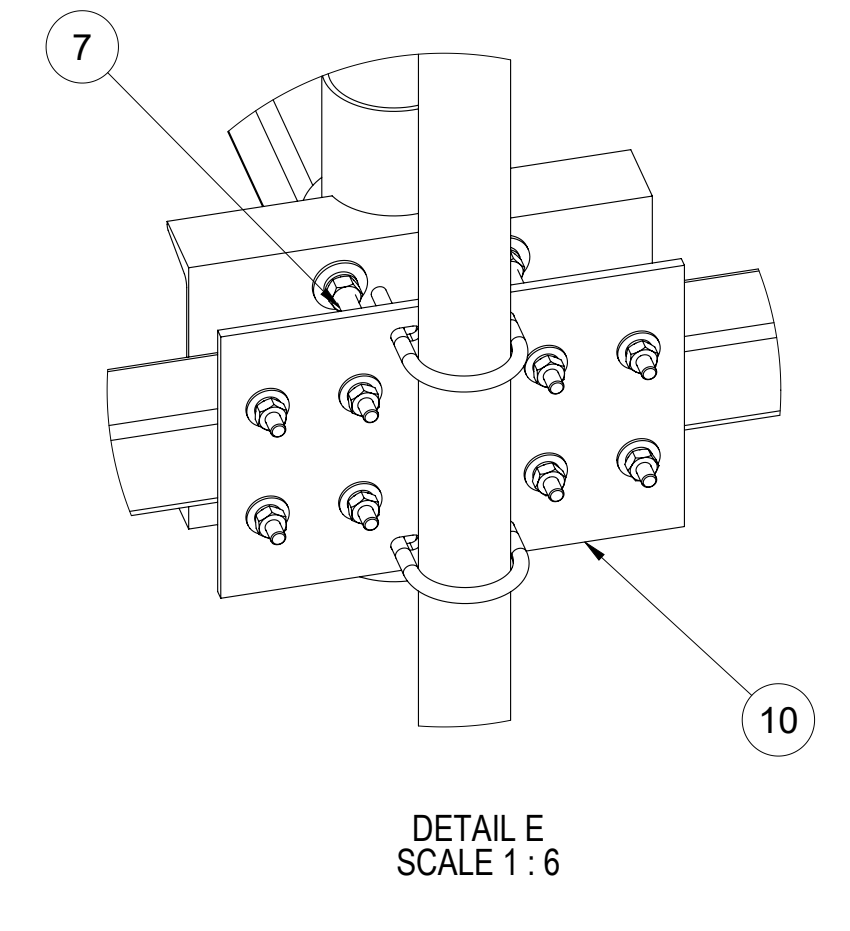
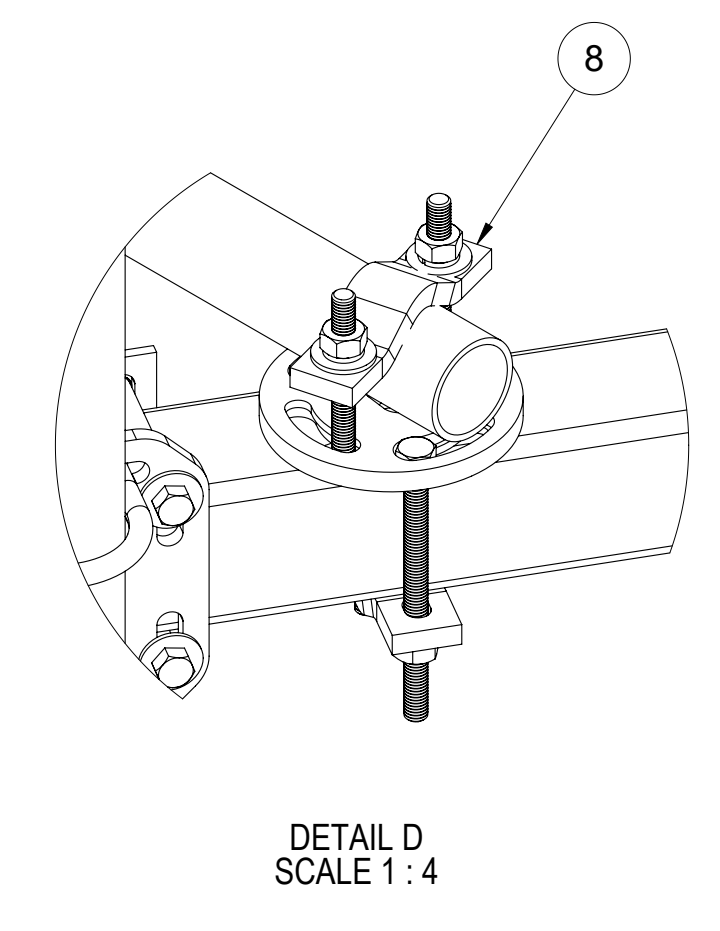
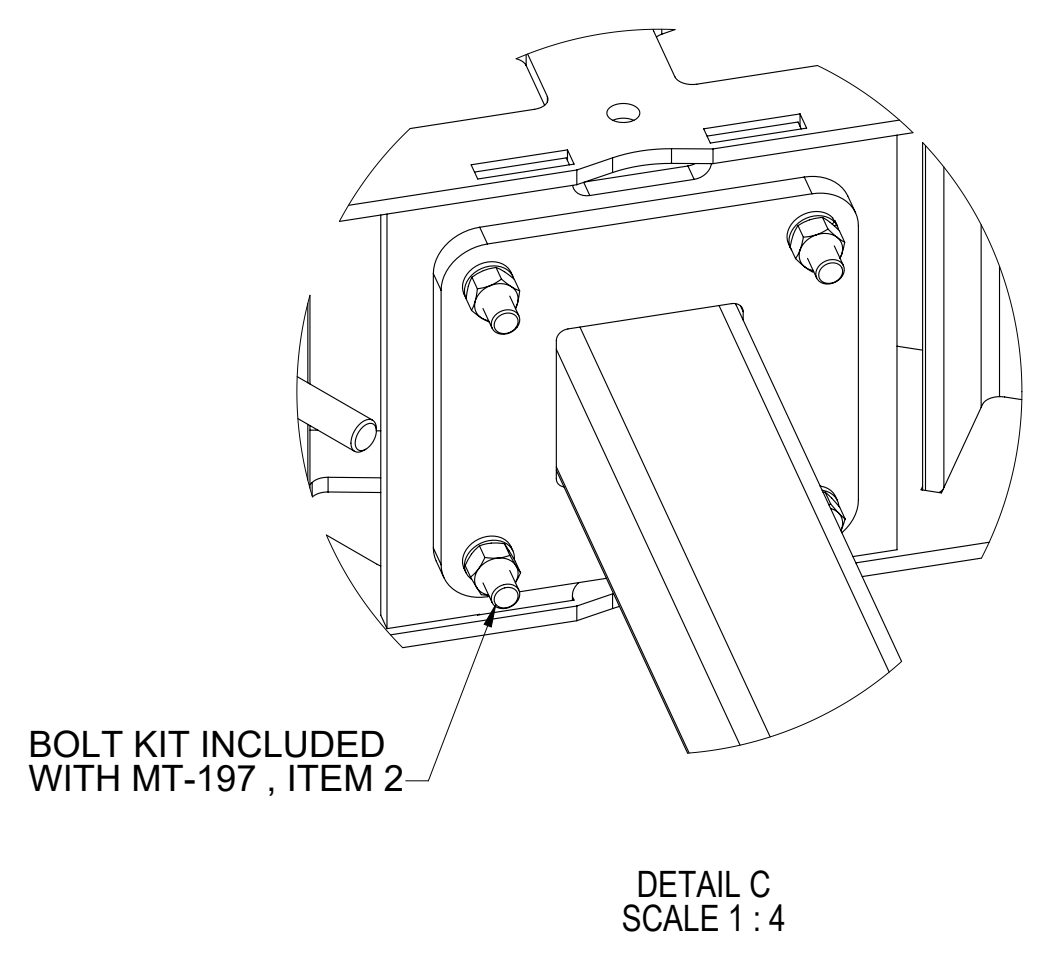
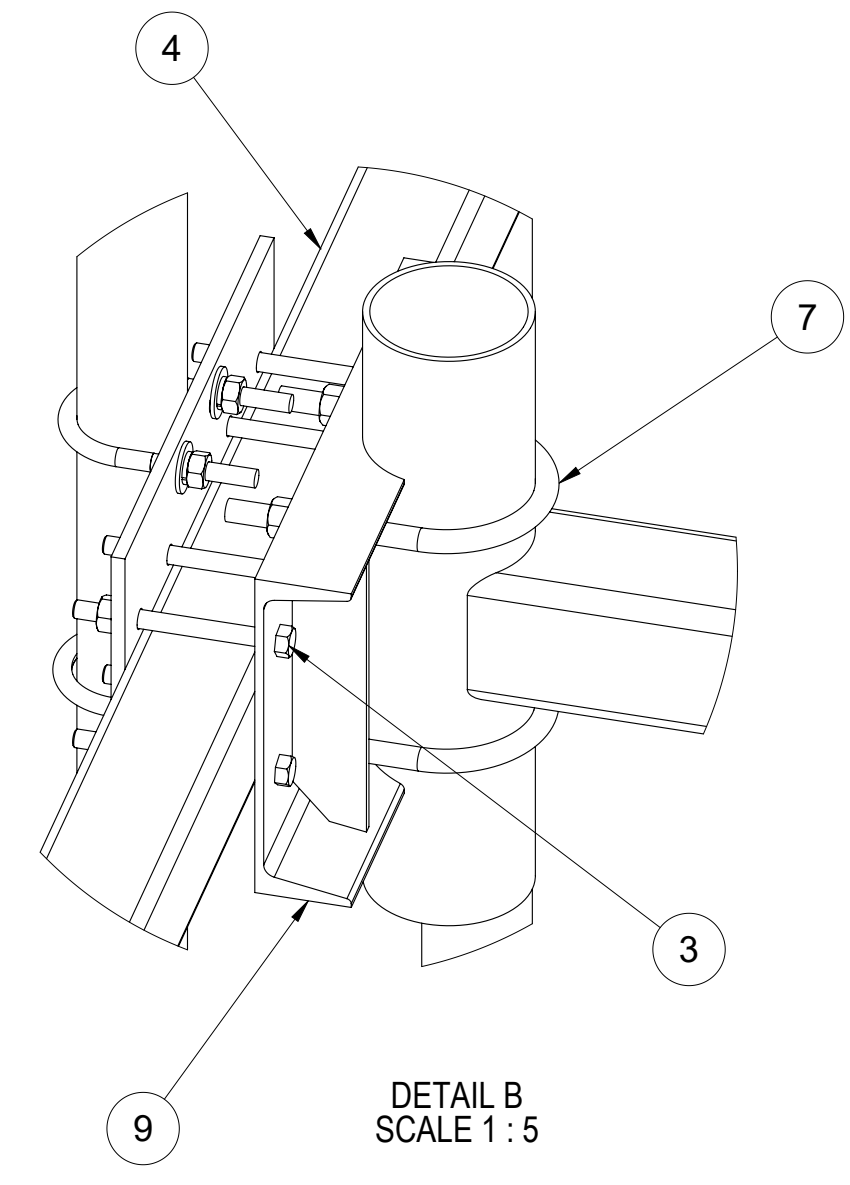
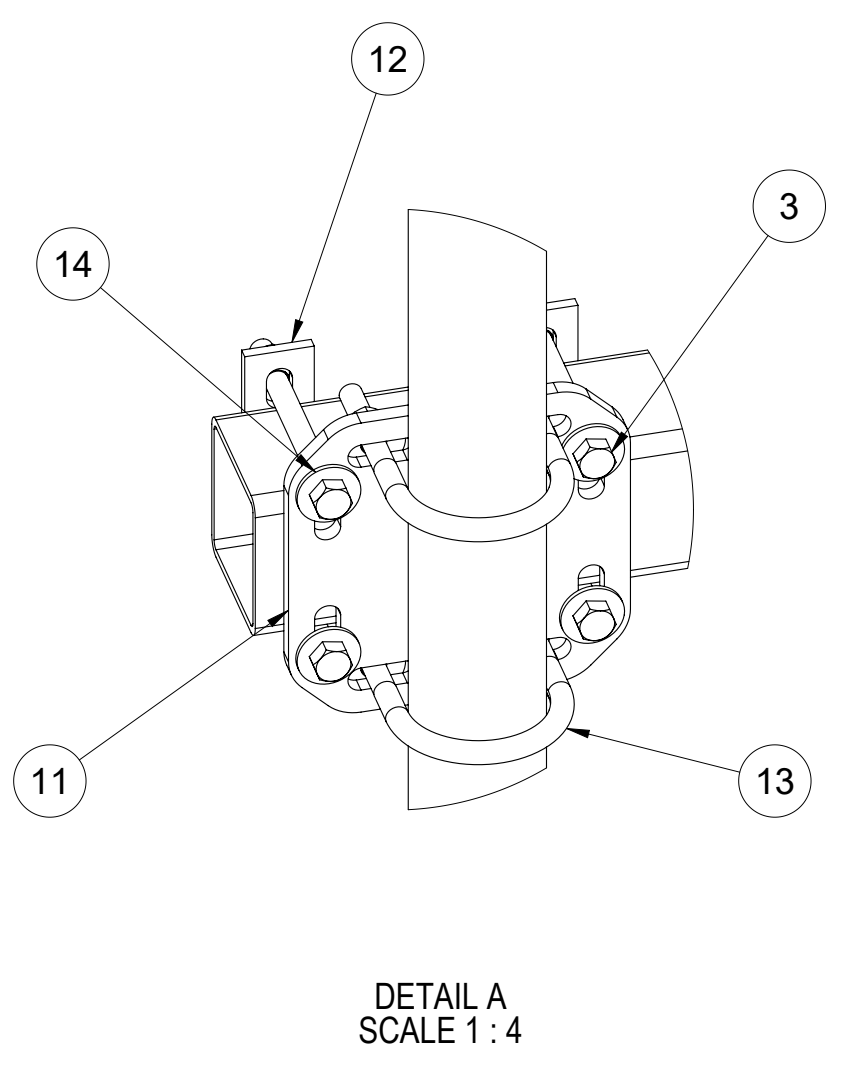


NOTES:

- 1.0 GENERAL NOTES
- 1.1 ALL METRIC DIMENSIONS ARE IN BRACKETS.
- 2.0 DESIGN NOTES
- 2.1 FOR PATENT INFORMATION: [HTTPS://WWW.CS-PAT.COM](https://www.cs-pat.com)
- 2.2 USE STANDARD TORQUE VALUES FOR 5/8" BOLTS
- 2.3 TORQUE U-BOLTS TO 44 FT-LBS
- 2.4 ANY HAZARDS OR OBSTRUCTIONS TO THE CLIMBING FACILITY AND SAFETY CLIMB MUST BE IDENTIFIED PRIOR TO INSTALLING THE APPURTENANCE. ADDITIONAL PRODUCTS MAY BE REQUIRED TO MAINTAIN THE INTEGRITY OF THE SAFETY CLIMB. DURING INSTALLATION, TEMPORARY AND/OR PERMANENT PRECAUTIONARY MEASURES SHOULD BE TAKEN TO PRESERVE THE CLIMBING FACILITY AND/OR SAFETY CLIMB.
- 2.5 FOR LOADING SEE ENGINEERING SPEC SHEET
- 2.6 REPAIR GALVANIZATION ON ANY FIELD CUT PIECES PER ASTM A780.
- 3.0 MANUFACTURING/SPECIAL REQUIREMENTS
- 4.0 TEST
- 5.0 PACKAGING
- 5.1 PACKAGING SHALL MEET COMMSCOPE REQUIREMENTS PER DOCUMENT IS-PL-3005

REVISIONS			
REV.	DESCRIPTION	ECO	DATE
A	NEW RELEASED.	12785PC	JL1183 28MAY2021



ITEM NO.	PART NUMBER	DESCRIPTION	QTY.
1	MC-RM1550-3	12" - 50" OD RINGMOUNT	1
2	MT-197	36" SINGLE SUPPORT ARM KIT	3
3	GB-04545	1/2" X 5-1/2" GALV BOLT KIT	48
4	SQTBGFP357819	SUPPORT TUBE	3
5	MT-651-84	PIPE 2-3/8" OD X 84"	3
6	MT54696	Ø2.875" O.D. X 96 SCH40 PIPE	9
7	GUB-5458	5/8" X 4-5/8" X 7-1/2" GALV U-BOLT	6
8	XP-R	CROSSOVER PLATE, ROUND, UP TO 3.5" OD	6
9	MT216.02	15" CENTER CHANNEL BRACKET	3
10	MTC9076.01	Front Plate	3
11	XPU01	PLATE, CROSSOVER, 1.9-3.5" X 1.9-3.5" OD	6
12	MTC9076.03	Straight Bar Adapter	12
13	GUB-4352	1/2" X 3" X 5-1/4" GALV U-BOLT	18
14	GW-F04	1/2" GALV FLAT WASHER	24

COMMSCOPE, INC. OF NORTH CAROLINA

SAP MATERIAL MASTER
MTC9076M69M96

TOLERANCES
 1 PLACE .X ± .3 3 PLACE .XXX ± .060
 2 PLACE .XX ± .12 ANGLES ± 2° FRACTION ± 1/32

FINISH: GALV A123 MATERIAL: A1011/1018, A500 GR C

NAME	DATE	TITLE
CE	JL1183	06/15/2021
RW		
AD	BCAMPBELLCON	06/16/2021
RE	BCROSS	06/17/2021
ECN	12785PC	

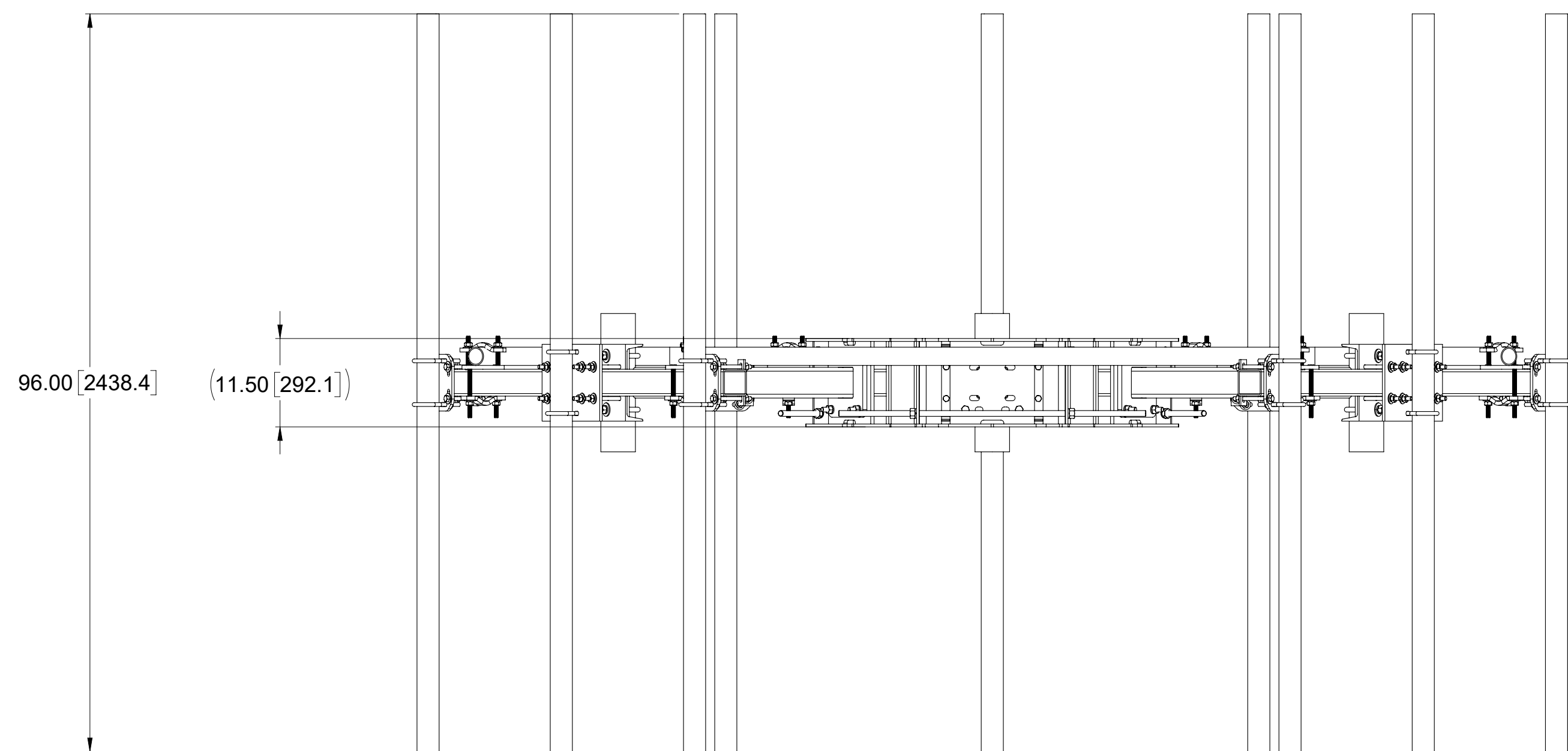
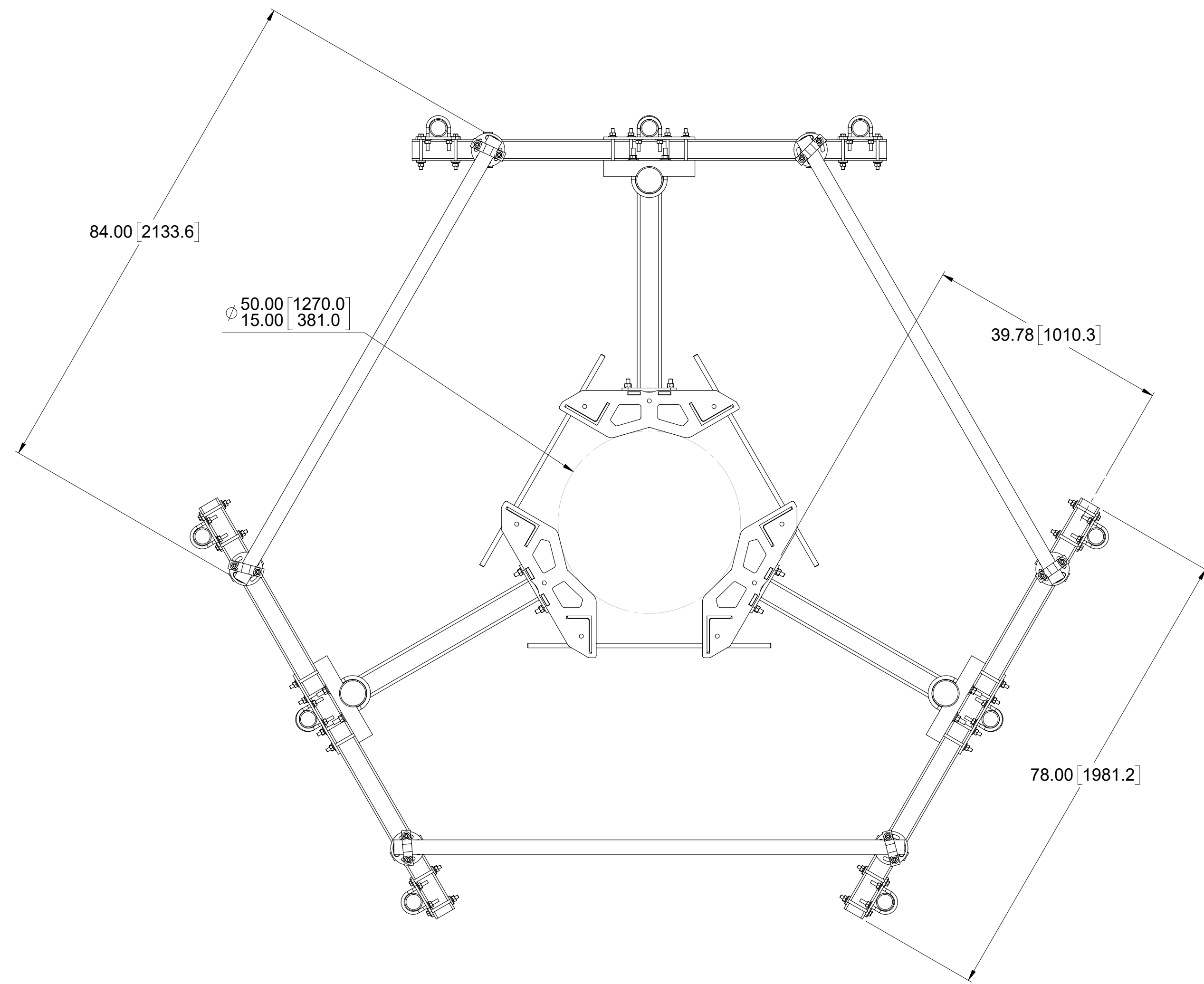
SCALE: 1:32 DOCUMENT NO.: **MTC9076M69M96**

SIZE	Auth Group	INSL	MODEL	REVISION	VERSION	STATUS	REVISION	VERSION	STATUS	REVISION	SHEET
D				RE	00		A	00		RE	A

1 OF 2

DENSITY	MASS	VOLUME	SURFACE AREA
	1286.6927 lbs	9188.4984 in ³	58968.2692 in ²

NOTES:



COMMSCOPE, INC. OF NORTH CAROLINA				
TITLE				
MP T-ARM W/6'-6"LG SQ FP,(9)2.88"X96"AP				
SIZE	SCALE	DOCUMENT NO.		
D	1:32	MTC9076M69M96		
DRAWING				SHEET
VERSION	STATUS	REVISION	2 OF 2	
00	RE	A		