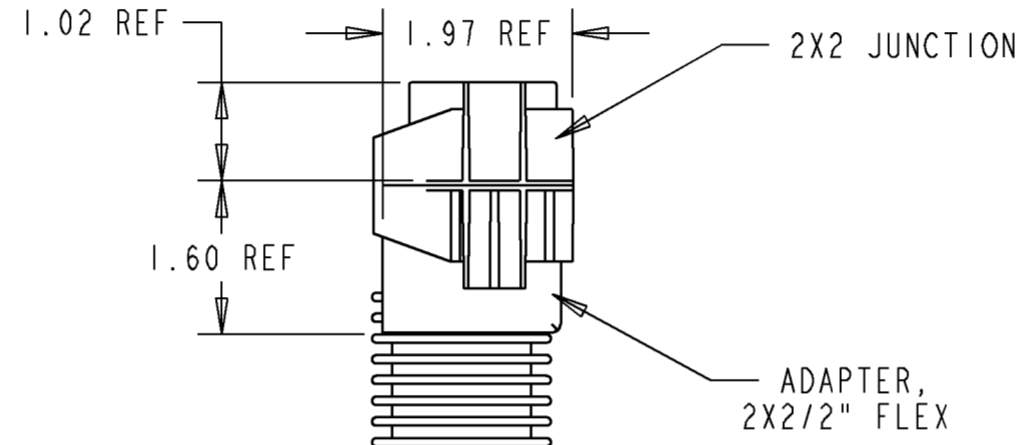
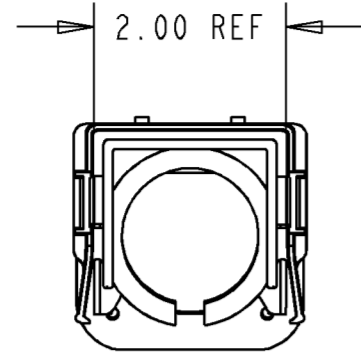
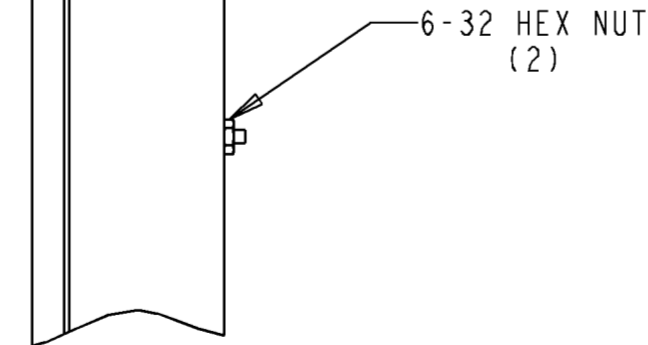
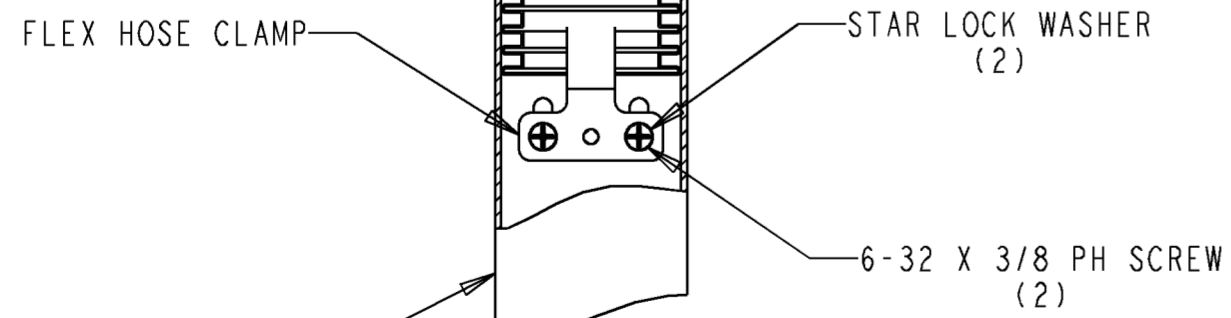
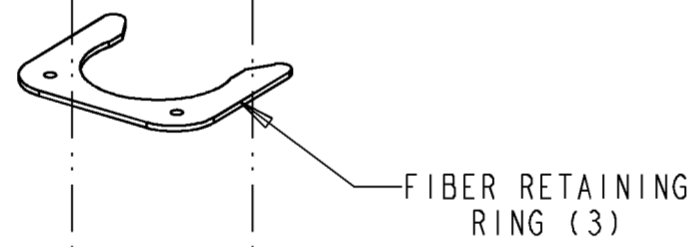
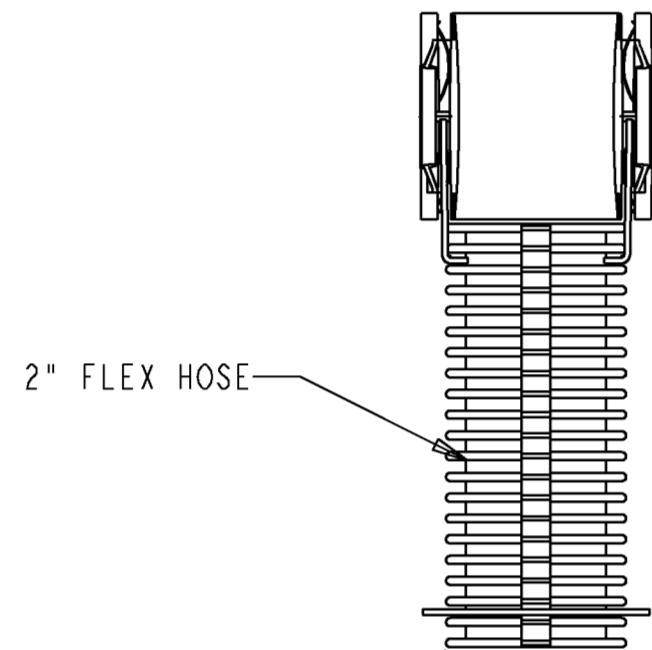


REV	MCO	DWN	DATE
E	20248444	JBC	11-SEP-08
F	20269009	JSL	14-JUL-09



PARTS LIST	
DESCRIPTION	QTY
ADAPTER, 2X2/2" FLEX	1
JUNCTION, 2X2	1
2" FLEX HOSE	SEE TAB
FIBER RETAINING RING	3
FLEX HOSE CLAMP	1
6-32 X 3/8 PH SCREW	2
6-32 HEX NUT	2
STAR LOCK WASHER	2



CATALOG NO.	COLOR	HOSE LENGTH
FGSB-MEX1-C-10F	BLACK	10 FT
FGSB-MEX1-C-5F	BLACK	5 FT
FGS-MEXI-C-0F	YELLOW	NONE
FGSO-MEXI-C-0F	ORANGE	NONE
FGSB-MEX1-C-0F	BLACK	NONE
FGS-MEX1-C-5F	YELLOW	5 FT
FGSO-MEX1-C-5F	ORANGE	5 FT
FGSS-MEX1-C-5F	SMOKE	5 FT
FGS-MEX1-C-10F	YELLOW	10 FT
FGSO-MEX1-C-10F	ORANGE	10 FT
FGS-MEX1-C-15F	YELLOW	15 FT
FGSB-MEX1-C-15F	BLACK	15 FT
FGSO-MEX1-C-15F	ORANGE	15 FT

2X2 STRAIGHT SECTION REF



INFORMATION ON THIS DOCUMENT IS PROPRIETARY TO ADC AND SHALL NOT BE USED, COPIED, REPRODUCED OR DISCLOSED IN WHOLE OR IN PART WITHOUT WRITTEN CONSENT OF ADC.

ALL DIMS AND TOLERANCES ARE INCHES UNLESS OTHERWISE SPECIFIED

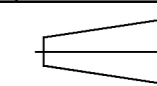
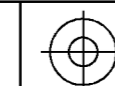
DO NOT SCALE DRAWING

TITLE
KIT, 2X2/2.0 FLEX INSTALLATION DWG

DRAWING NUMBER
1051770

ENGR: T. HAATAJA
DWN: T. HAATAJA

SHT. 1 OF 1



DIMENSIONS IN INCHES
THIRD ANGLE PROJECTION