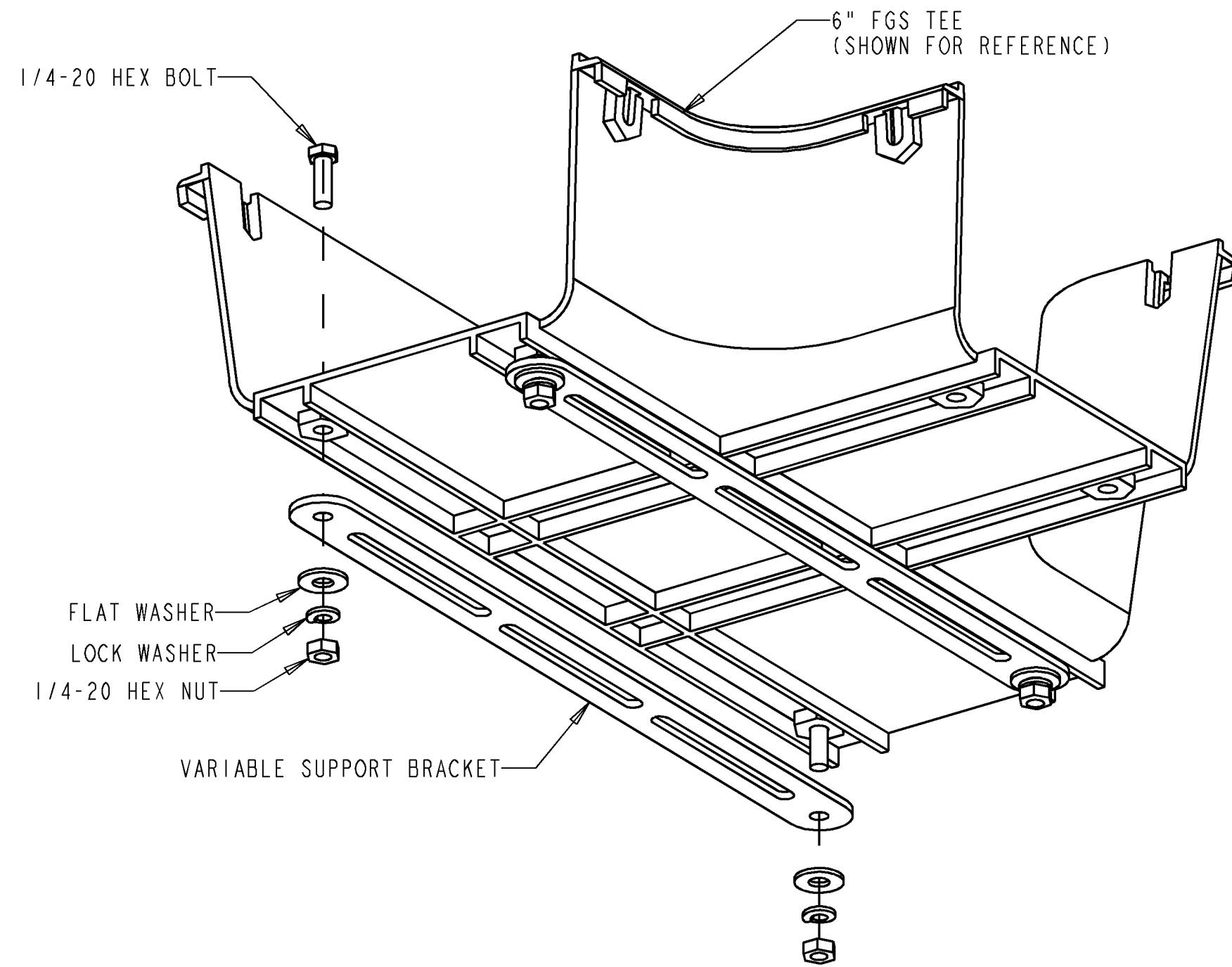


REV	ECO	DWN	DATE
A	20109690	DLD	16-JAN-02



CATALOG NUMBER	FITTING TYPE REF	BRACKET ATTACHMENT DETAIL
FGS-MHRT-B-VS	6" TEE	DETAIL A

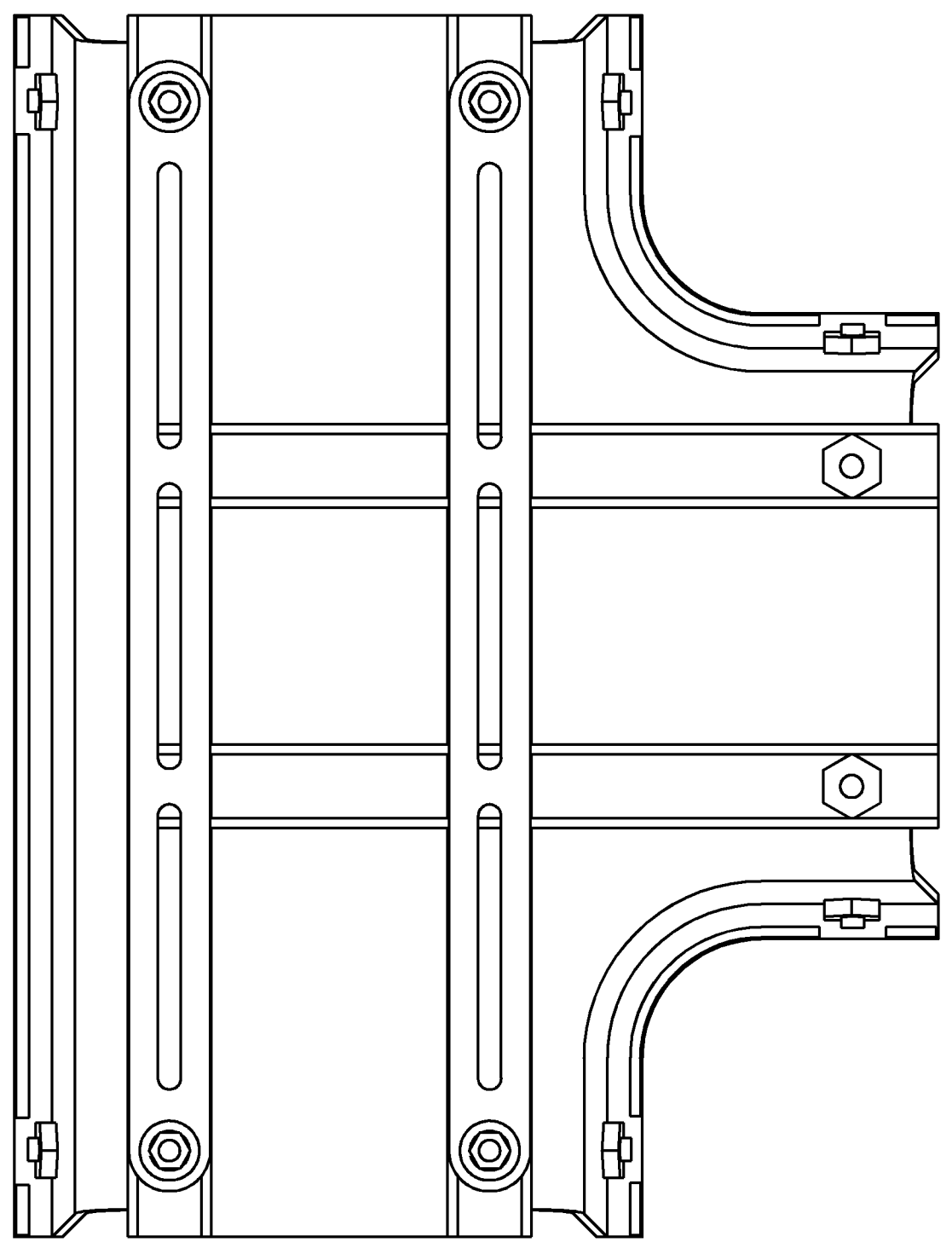
NOTES:

- KIT INCLUDES THE FOLLOWING:
 - (2) VARIABLE SUPPORT BRACKETS
 - (4) 1/4-20 HEX HEAD BOLT
 - (4) SPLIT-LOCK WASHERS
 - (4) 1/4-20 HEX NUTS
- FITTINGS SHOWN ARE FOR REFERENCE ONLY.
- ASSEMBLE BRACKETS, WITH BENT TABS FLUSH AGAINST FITTING RIBS, AS SHOWN.
- WHEN ASSEMBLING JUNCTION, REMOVE RETAINING CLIPS ON BOTTOM OF JUNCTION TO AVOID INTERFERENCE WITH SUPPORT BRACKETS.



INFORMATION ON THIS DOCUMENT IS PROPRIETARY TO ADC AND SHALL NOT BE USED, COPIED, REPRODUCED OR DISCLOSED IN WHOLE OR IN PART WITHOUT WRITTEN CONSENT OF ADC.		TITLE I.D., 6" FGS VARIABLE SUPPORT BRKT KITS	
ALL DIMS AND TOLERANCES ARE INCHES UNLESS OTHERWISE SPECIFIED	.XX:±N/A .XXX:±N/A ANGULAR:±N/A	C SIZE	DRAWING NUMBER 1214519
DO NOT SCALE DRAWING		ENGR: D. DERKS DWN: D. DERKS	A REV SHT. 1 OF 2

DIMENSIONS IN INCHES
THIRD ANGLE PROJECTION



DETAIL A
6" TEE



INFORMATION ON THIS DOCUMENT IS PROPRIETARY TO ADC AND SHALL NOT BE USED, COPIED, REPRODUCED OR DISCLOSED IN WHOLE OR IN PART WITHOUT WRITTEN CONSENT OF ADC.

TITLE I.D., 6" FGS VARIABLE SUPPORT BRKT KITS

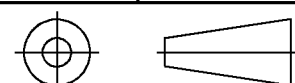
ALL DIMS AND TOLERANCES ARE INCHES UNLESS OTHERWISE SPECIFIED

SIZE C DRAWING NUMBER 1214519 A REV

DO NOT SCALE DRAWING

ENGR: D. DERKS
DWN: D. DERKS

SHT. 2 OF 2



DIMENSIONS IN INCHES
THIRD ANGLE PROJECTION