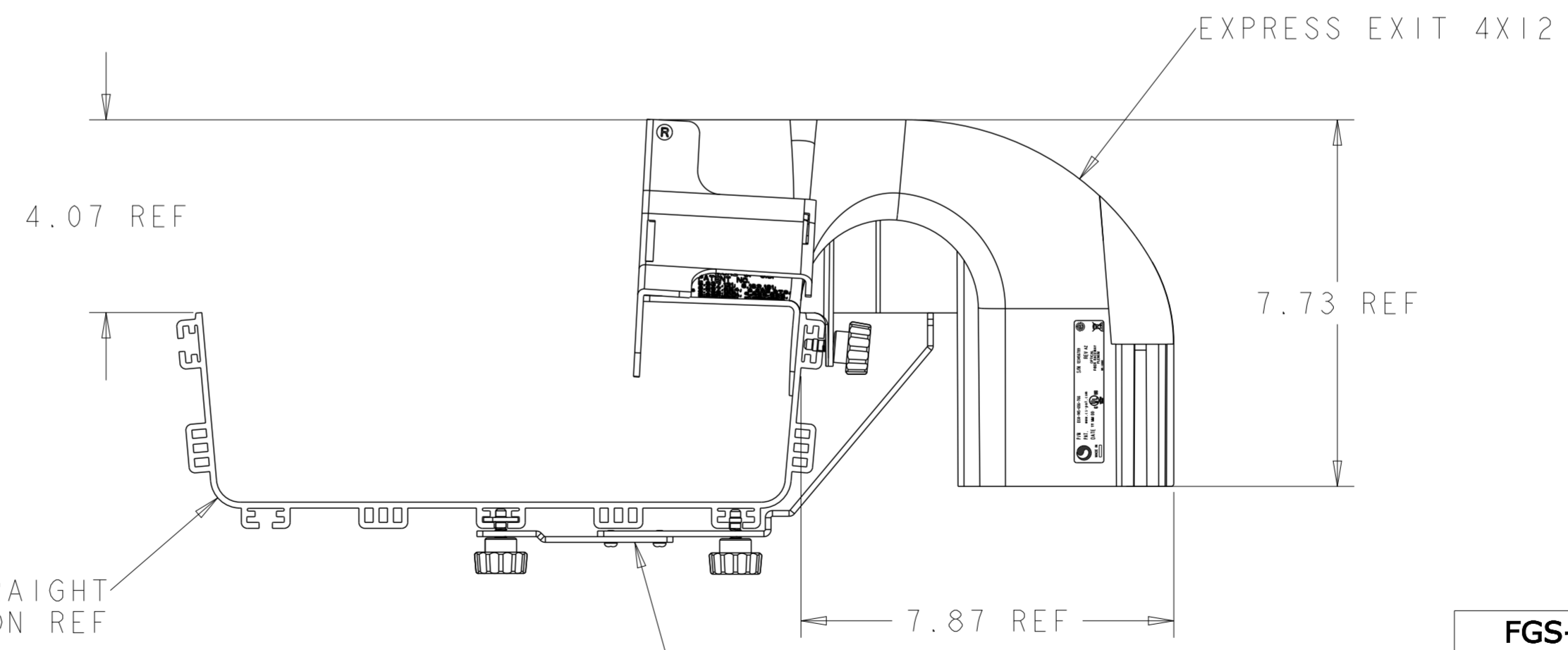
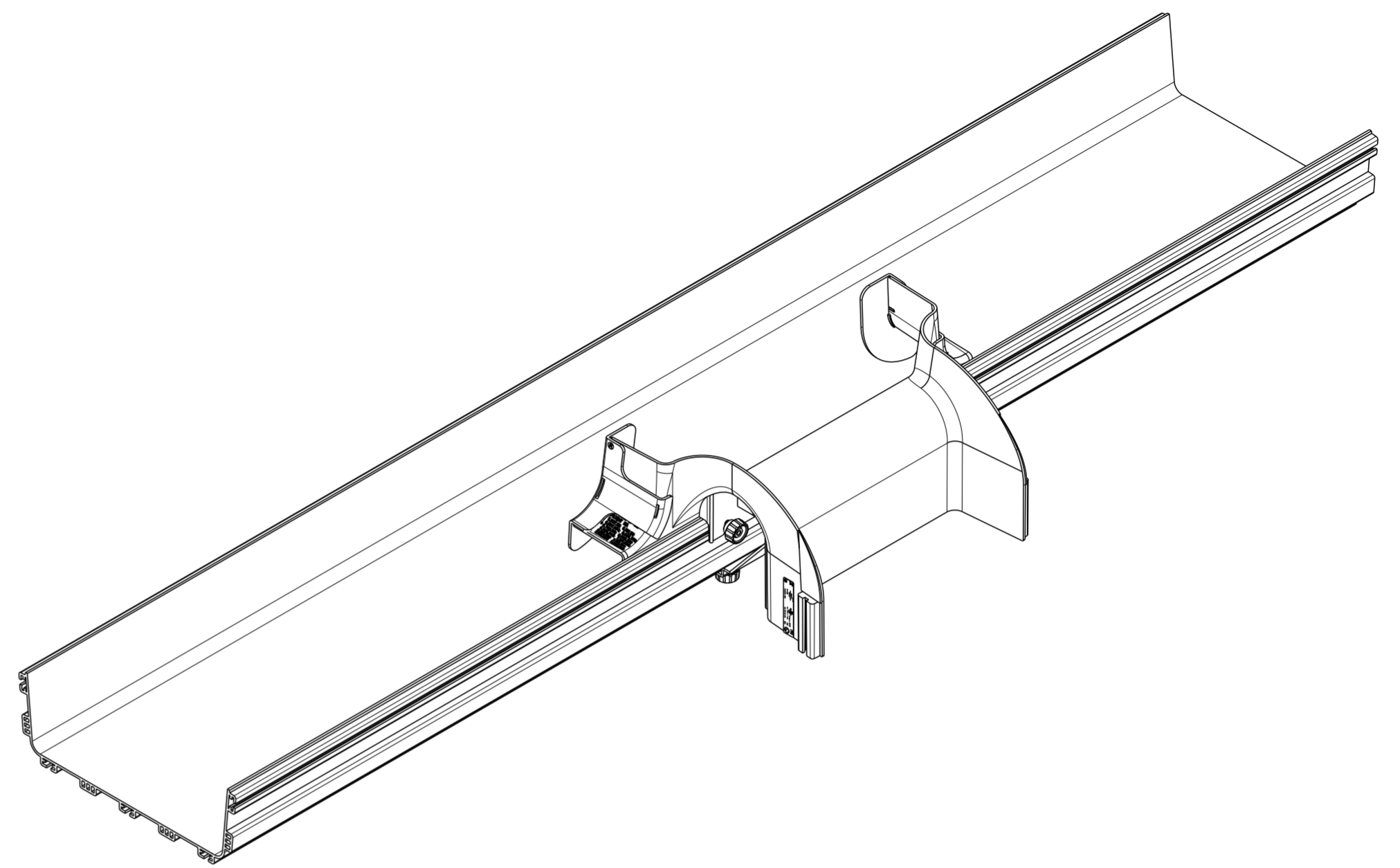
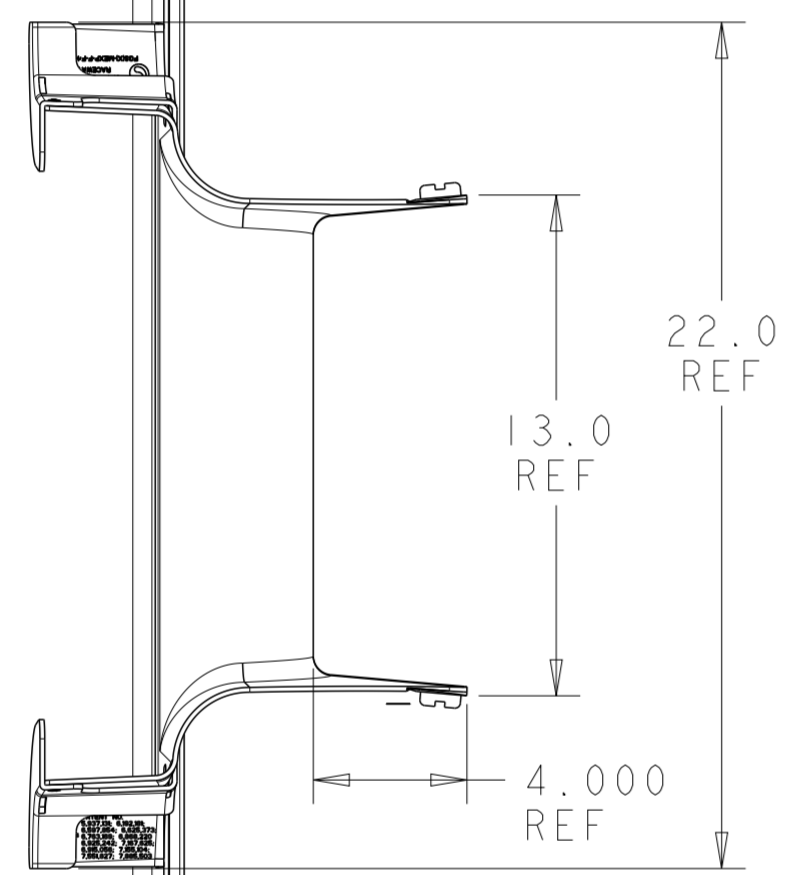
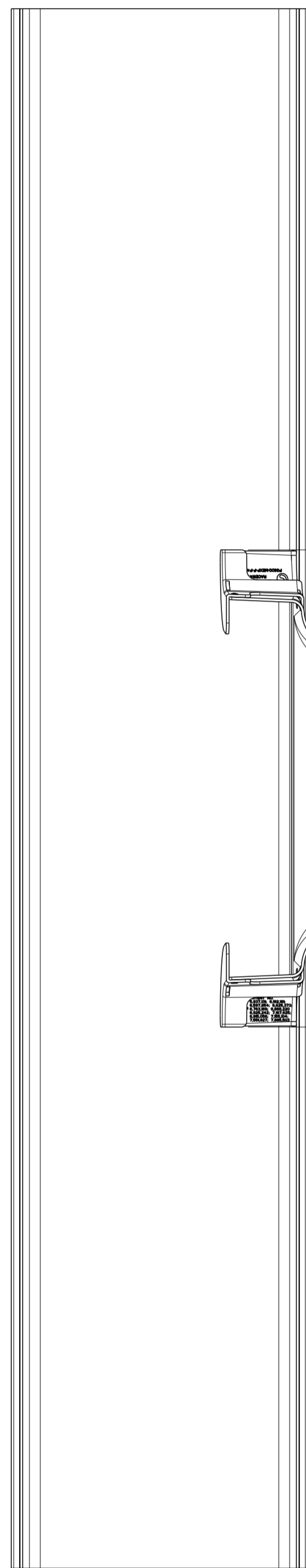


REVISIONS			
REV	DESCRIPTION	DATE	APPROVED
A	40160570CMO	23-NOV-2022	MAM
B	40165277CMO	10-FEB-2023	RAT



4X12 STRAIGHT SECTION REF

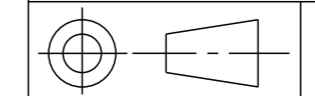
4X12 EXPRESS EXIT
ON TROUGH VIEW

4X12 EXPRESS EXIT SUPPORT BRACKET

FGS-MEXP-F-F/H-NC	YELLOW
CATALOG NO.	COLOR

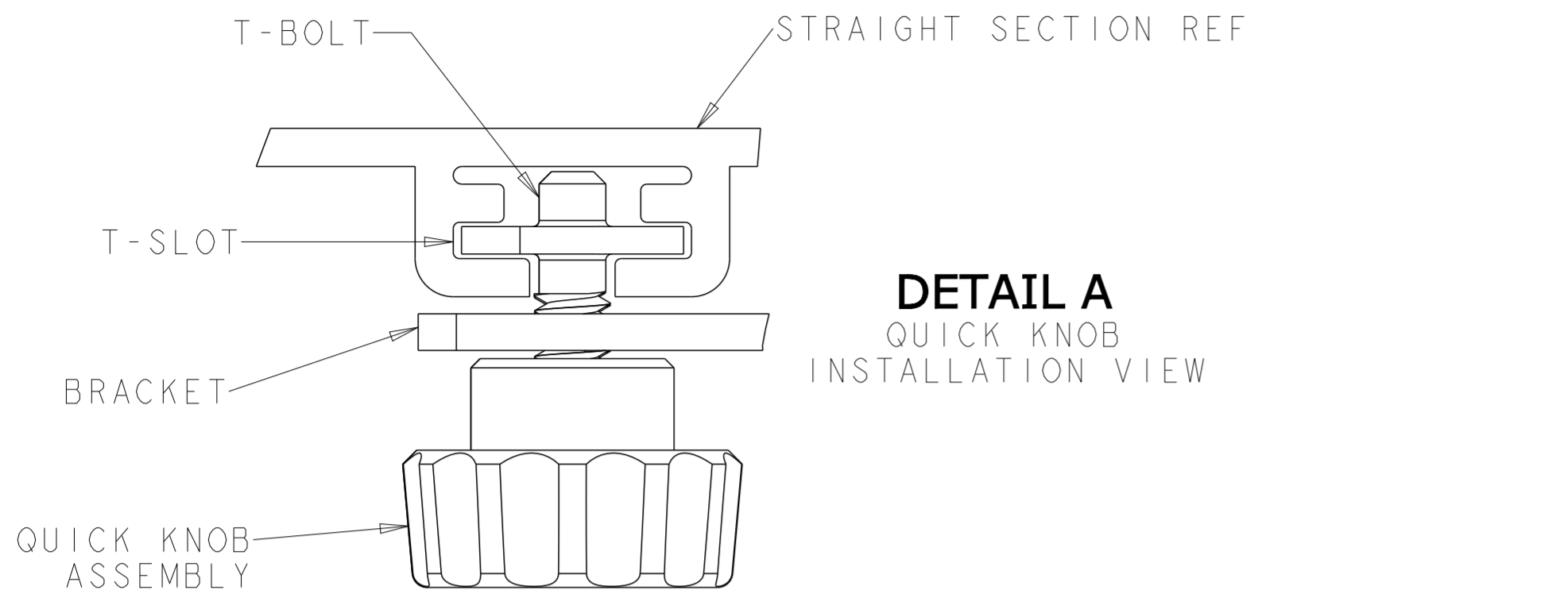
COMMSCOPE, INC.

DRAFTER MIGUEL MUNOZ	TITLE INSTALL DWG KIT, DWNSTP EXP EXIT 4X12		
ENGINEER RUBEN ARVILLA	SIZE A2	SCALE 0.063	DOCUMENT NO. 660105715

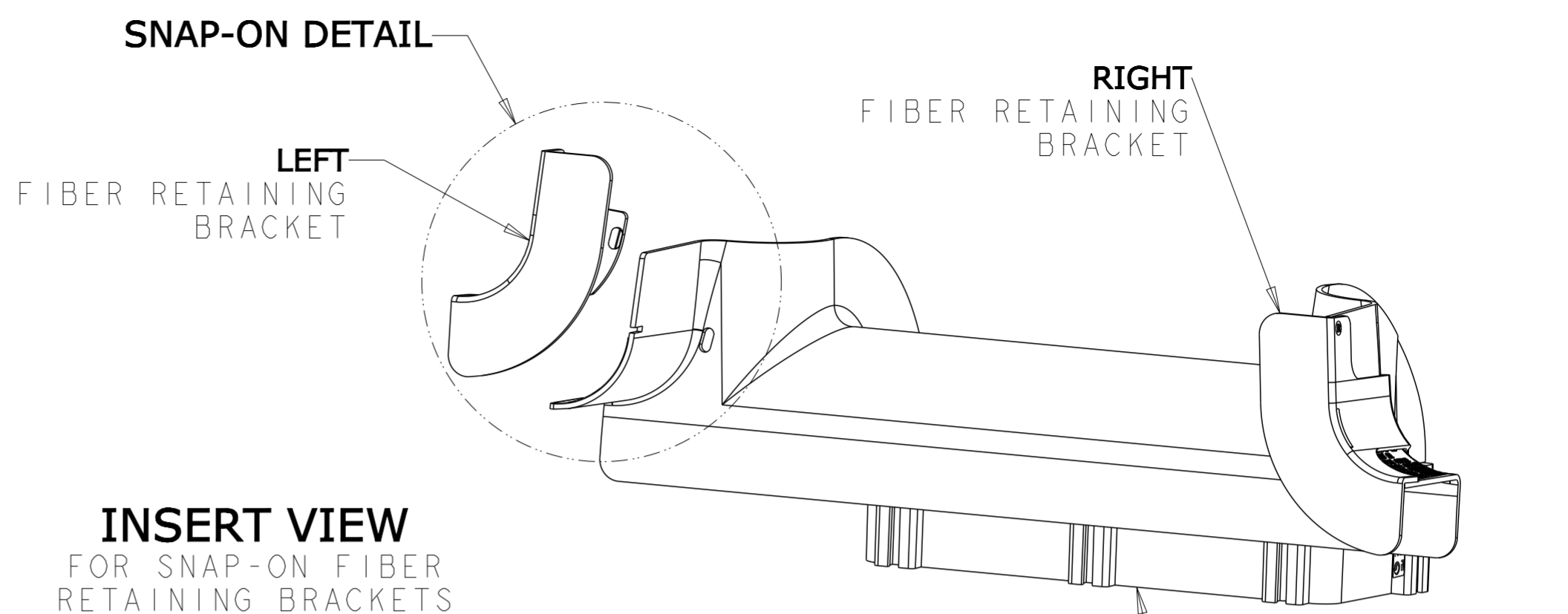


CUSTOMER DRAWING

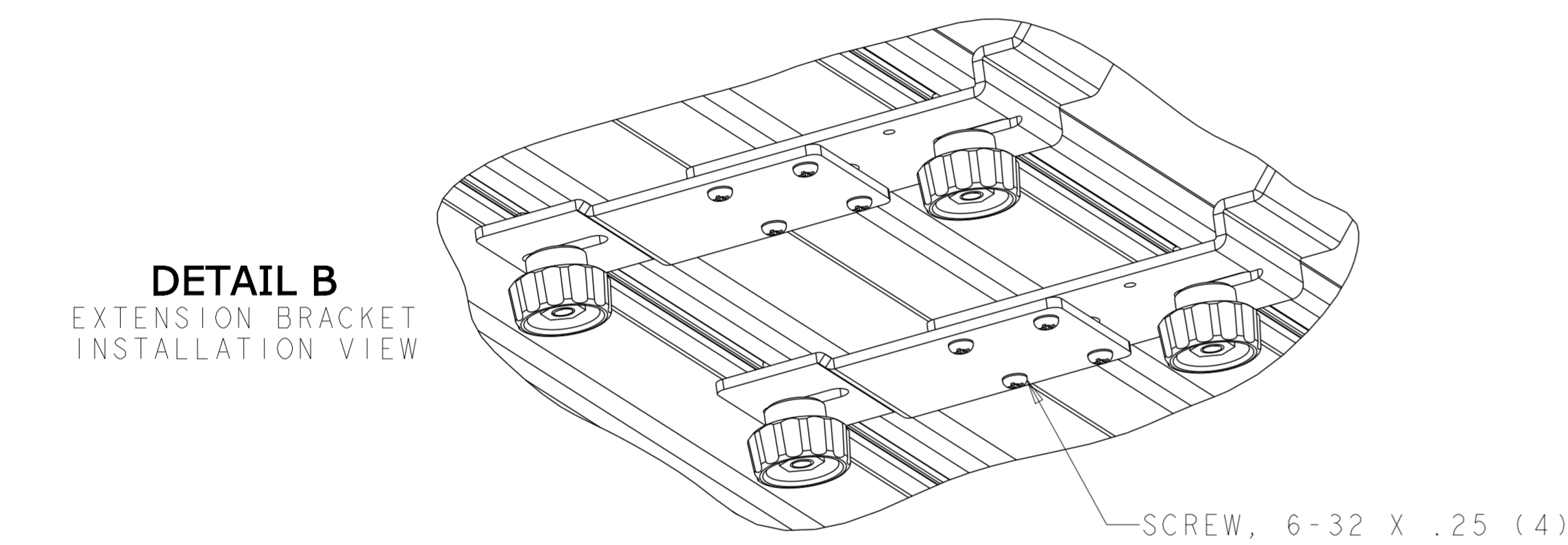
REVISION B	SHEET 1 OF 4
---------------	-----------------



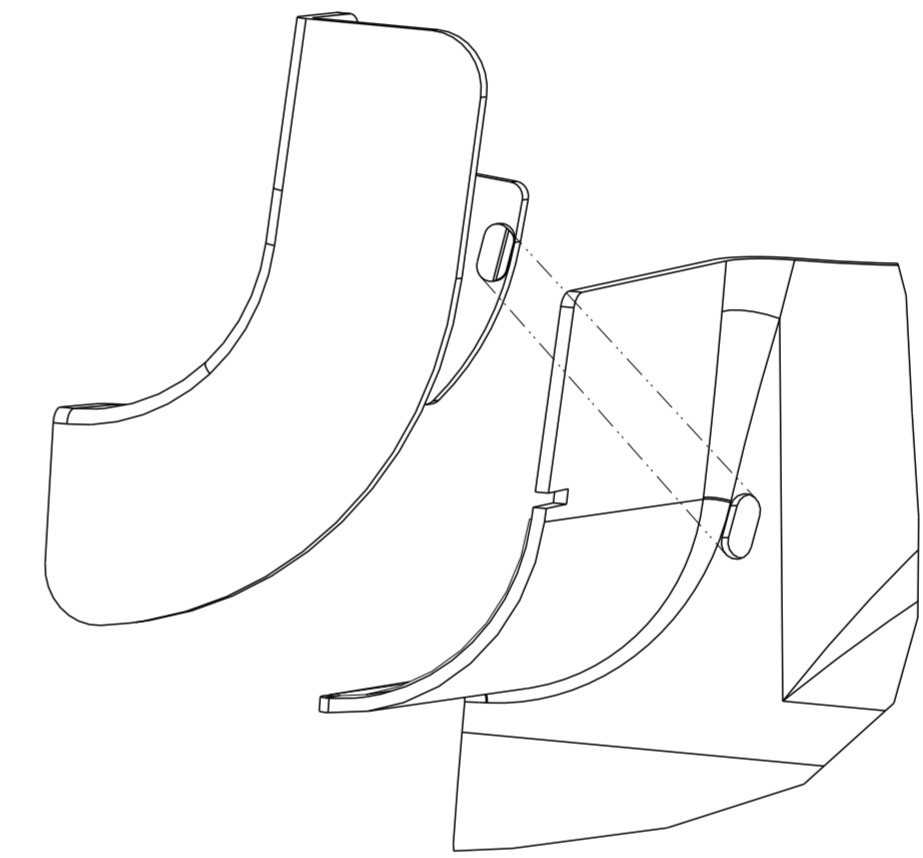
DETAIL A
QUICK KNOB
INSTALLATION VIEW



INSERT VIEW
FOR SNAP-ON FIBER
RETAINING BRACKETS



DETAIL B
EXTENSION BRACKET
INSTALLATION VIEW



SNAP-ON DETAIL
SCALE 0.600
ATTACH THE RETAINING BRACKET
INSERTING THE SNAP-ON INTO
THE EXPRESS EXIT HOLE

INSTALLATION INSTRUCTIONS:

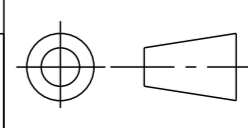
1. PLACE FIBER RETAINING BRACKETS LEFT AND RIGHT ON 4X12 EXPRESS EXIT BY ALIGNING RAISED TAB ON RETAINING BRACKETS WITH CUT OUT ON EXPRESS EXIT AND ROTATE TOWARDS EXPRESS EXIT UNTIL SNAPPED INTO PLACE. SEE INSERT VIEW (OPTIONAL)
2. PLACE EXPRESS EXIT 4X12 ON STRAIGHT SECTION AS SHOWN ON SHEET 3 AND 4.
3. LIFT ONE END OF EXPRESS EXIT 4X12 AND INSTALL QUICK KNOBS INTO T-SLOT, LOWER EXPRESS EXIT ONTO STRAIGHT SECTION. REPEAT FOR OTHER SIDE. ROTATE QUICK KNOBS CLOCKWISE SUCH THAT T-BOLT FLANGES EXTEND INTO T-SLOT. LOOSELY HAND TIGHTEN QUICK KNOBS. SEE DETAIL A.

*WARNING: IF EXPRESS EXIT IS REMOVED FROM STRAIGHT SECTION WHILE QUICK KNOBS ARE INSTALLED, QUICK KNOBS WILL FALL OUT.
4. ATTACH EXTENSION BRACKET TO 2X4 EXPRESS EXIT BRACKET USING 6-32 X .25 LONG SCREWS. SEE DETAIL B.
5. INSERT QUICK KNOBS THROUGH BRACKET, ROTATE 90° AND INTO T-SLOT IN STRAIGHT SECTION WHILE INSERTING BRACKET INTO EXPRESS EXIT SLOT. ROTATE QUICK KNOBS CLOCKWISE SUCH THAT T-BOLT FLANGES EXTEND INTO T-SLOT. SEE DETAIL A.
6. TIGHTEN (8) QUICK KNOBS COMPLETELY.

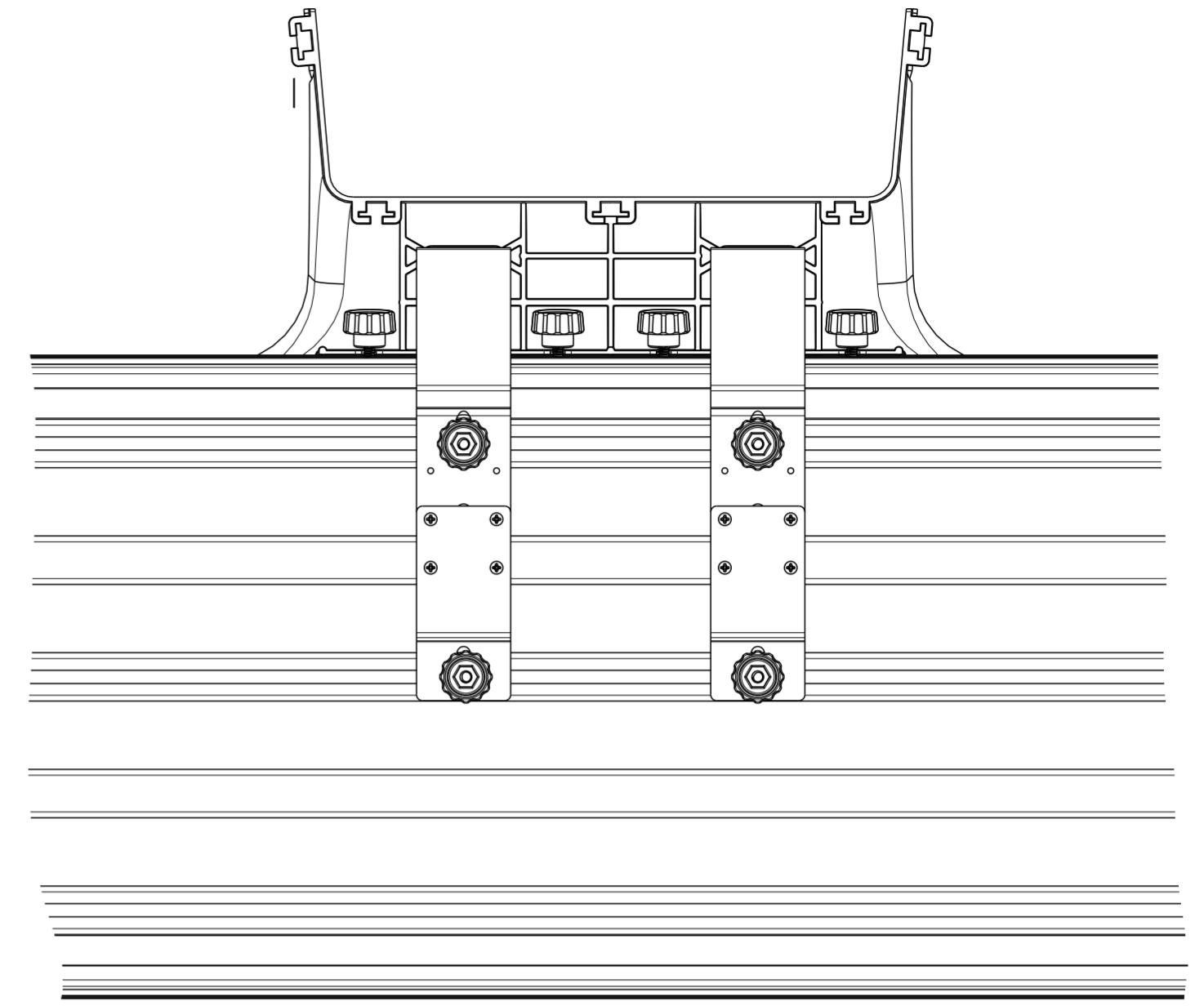
COMPONENT LIST #1	
DESCRIPTION	QTY
EXPRESS EXIT 4X12	1
BRACKET, RETAINING FIBER RIGHT	1
BRACKET, RETAINING FIBER LEFT	1
BRACKET, 4X12 EXPRESS EXIT SUPPORT	2
BRACKET, EXTENSION 6" & 12" FGS	2
BRACKET, EXTENSION 18" & 24" FGS	2
QUICK KNOB ASSEMBLY	8
SCREW, 6-32 X .25	8

COMMSCOPE, INC.			
TITLE INSTALL DWG KIT, DWNSPT EXP EXIT 4X12			
SIZE A2	SCALE 0.063	DOCUMENT NO. 660105715	
DRAWING			SHEET
VERSION 01	STATUS RE	REVISION B	2 OF 4

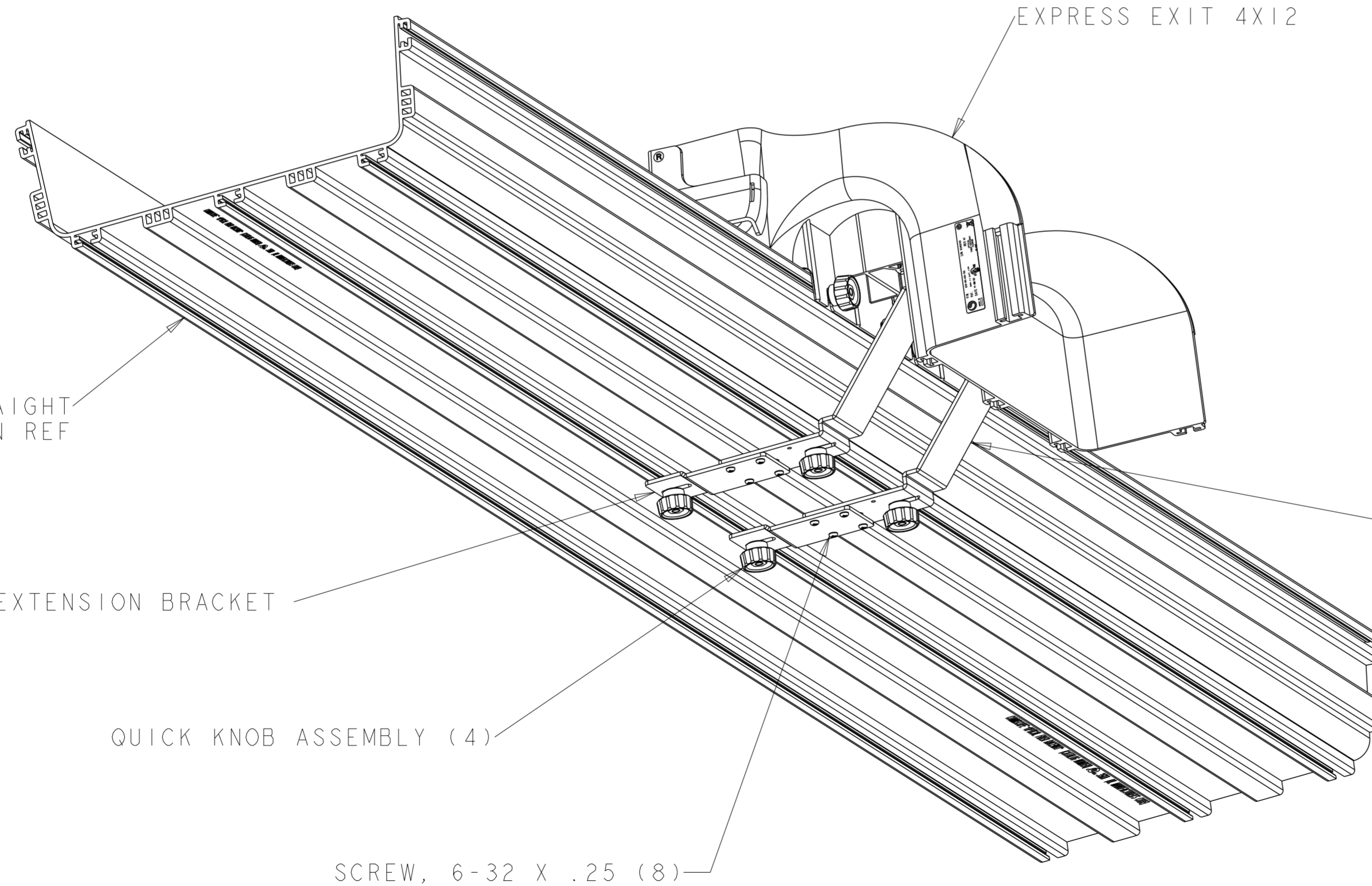
© 2022 CommScope, Inc. Confidential
NOTICE: These drawings and specifications are the proprietary property of COMMSCOPE, INC. and may be used only for the specific purpose authorized in writing by COMMSCOPE, INC.



EXPRESS EXIT 4X12
 INSTALLATION
 4X12 STRAIGHT SECTION



BOTTOM VIEW



4X12 STRAIGHT SECTION REF

EXTENSION BRACKET

QUICK KNOB ASSEMBLY (4)

SCREW, 6-32 X .25 (8)

EXPRESS EXIT 4X12

4X12 EXPRESS EXIT SUPPORT BRACKET

COMMSCOPE, INC.

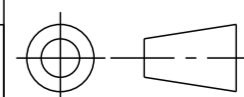
TITLE
 INSTALL DWG KIT,
 DWNSPT EXP EXIT 4X12

SIZE	SCALE	DOCUMENT NO.
A2	0.063	660105715

DRAWING	SHEET			
	VERSION	STATUS	REVISION	3 OF 4
01	RE	B		

© 2022 CommScope, Inc. Confidential

NOTICE: These drawings and specifications are the proprietary property of COMMSCOPE, INC. and may be used only for the specific purpose authorized in writing by COMMSCOPE, INC.



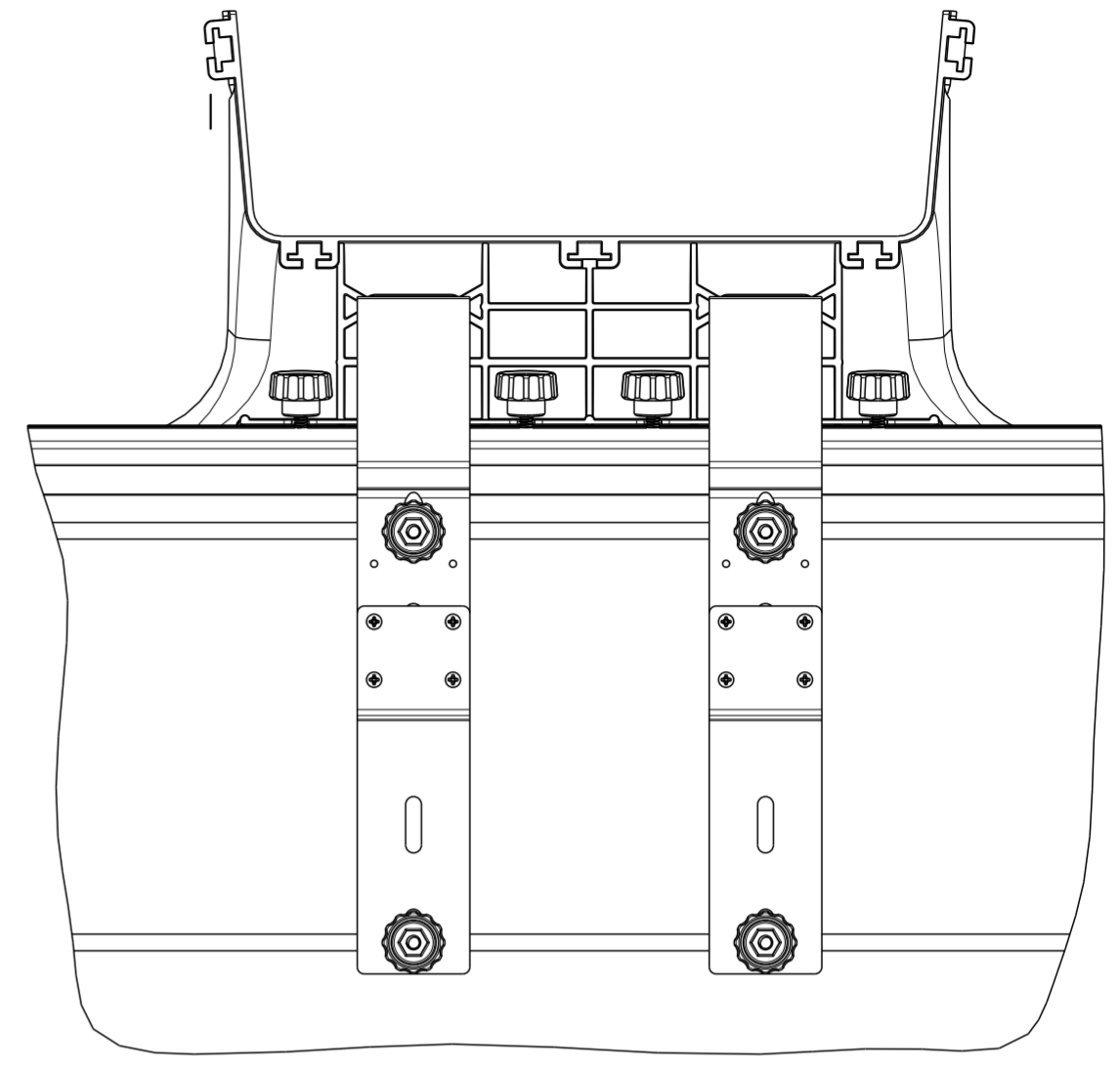
A
B
C
D
E
F
G
H

A
B
C
D
E
F
G
H

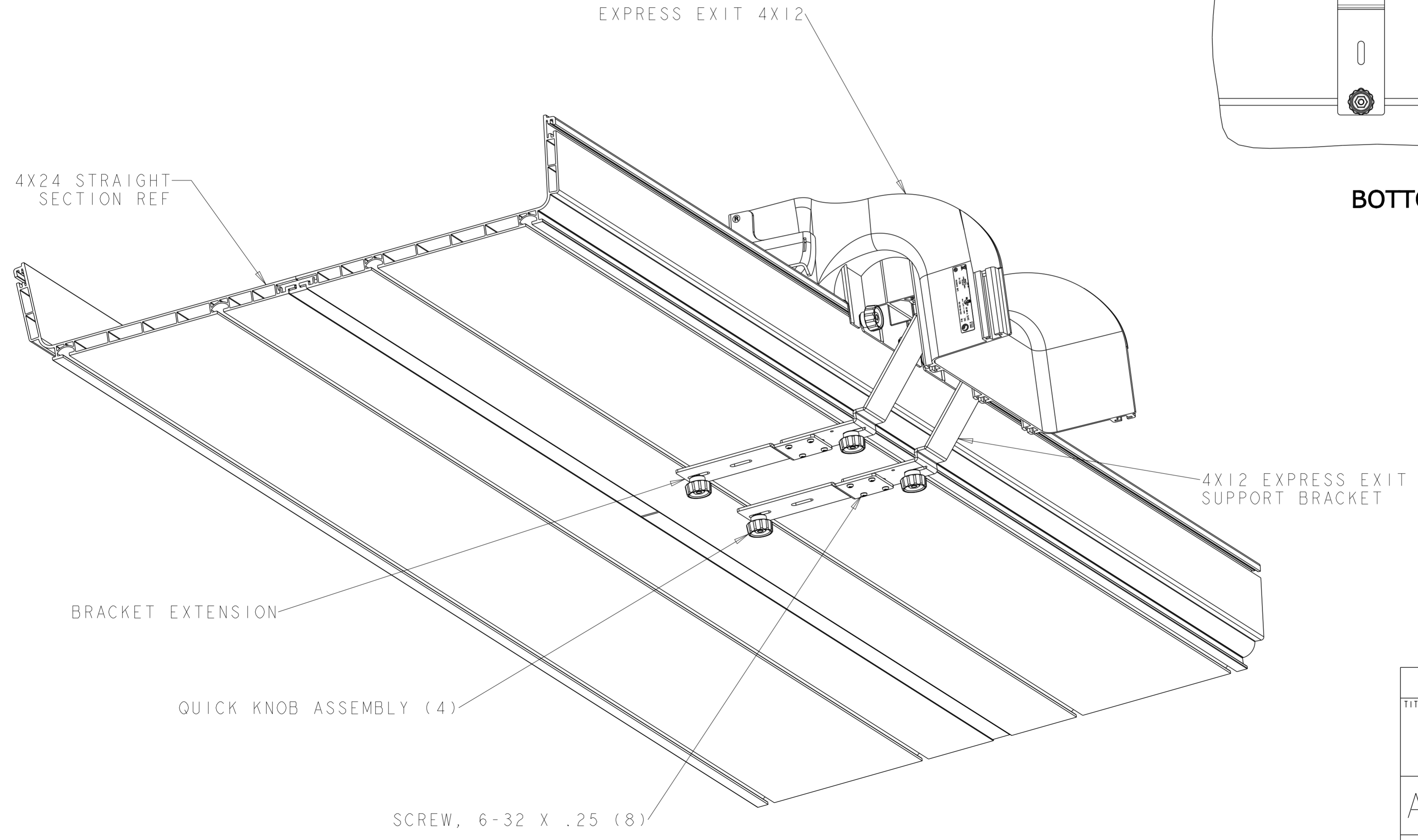
1 2 3 4 5 6 7 8 9 10

1 2 3 4 5 6 7 8 9 10

EXPRESS EXIT 4X12
 INSTALLATION
 4X24 STRAIGHT SECTION



BOTTOM VIEW



4X24 STRAIGHT
SECTION REF

EXPRESS EXIT 4X12

4X12 EXPRESS EXIT
SUPPORT BRACKET

BRACKET EXTENSION

QUICK KNOB ASSEMBLY (4)

SCREW, 6-32 X .25 (8)

COMMSCOPE, INC.

TITLE
 INSTALL DWG KIT,
 DWNSPT EXP EXIT 4X12

SIZE	SCALE	DOCUMENT NO.
A2	0.063	660105715

DRAWING			SHEET 4 OF 4
VERSION	STATUS	REVISION	
01	RE	B	

© 2022 CommScope, Inc. Confidential
 NOTICE: These drawings and specifications are the proprietary property of COMMSCOPE, INC. and may be used only for the specific purpose authorized in writing by COMMSCOPE, INC.

