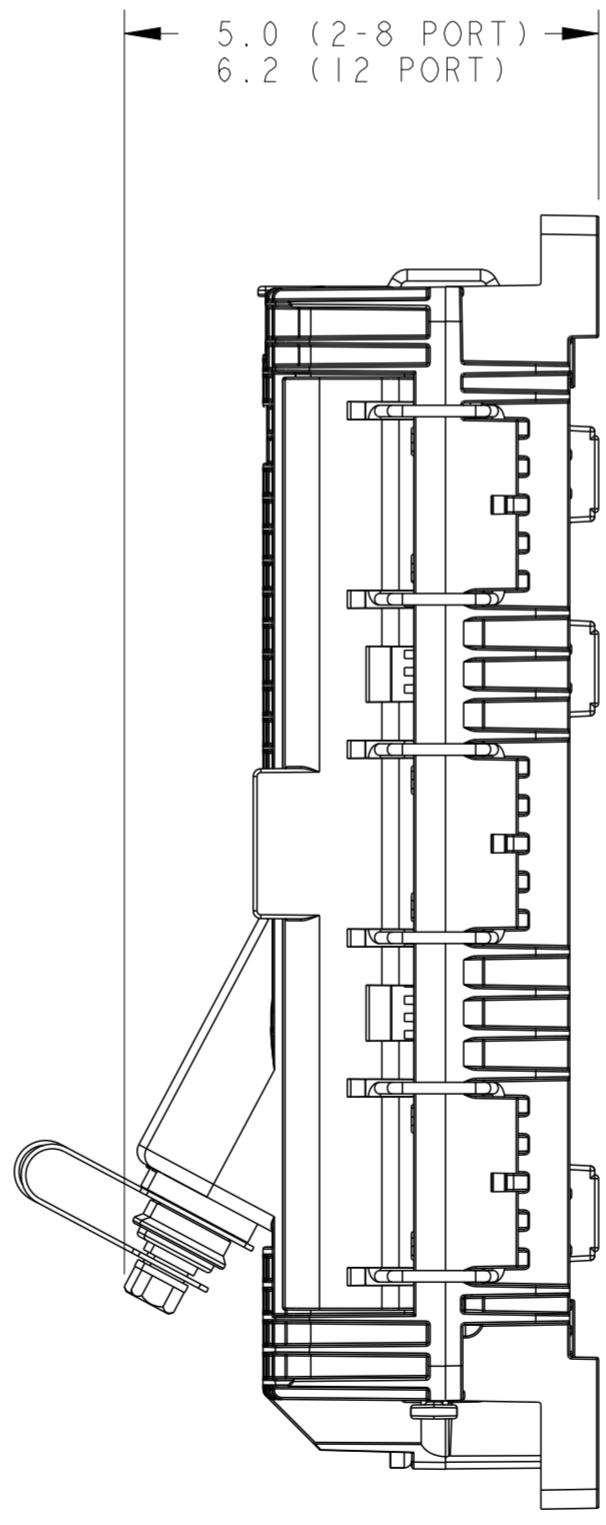
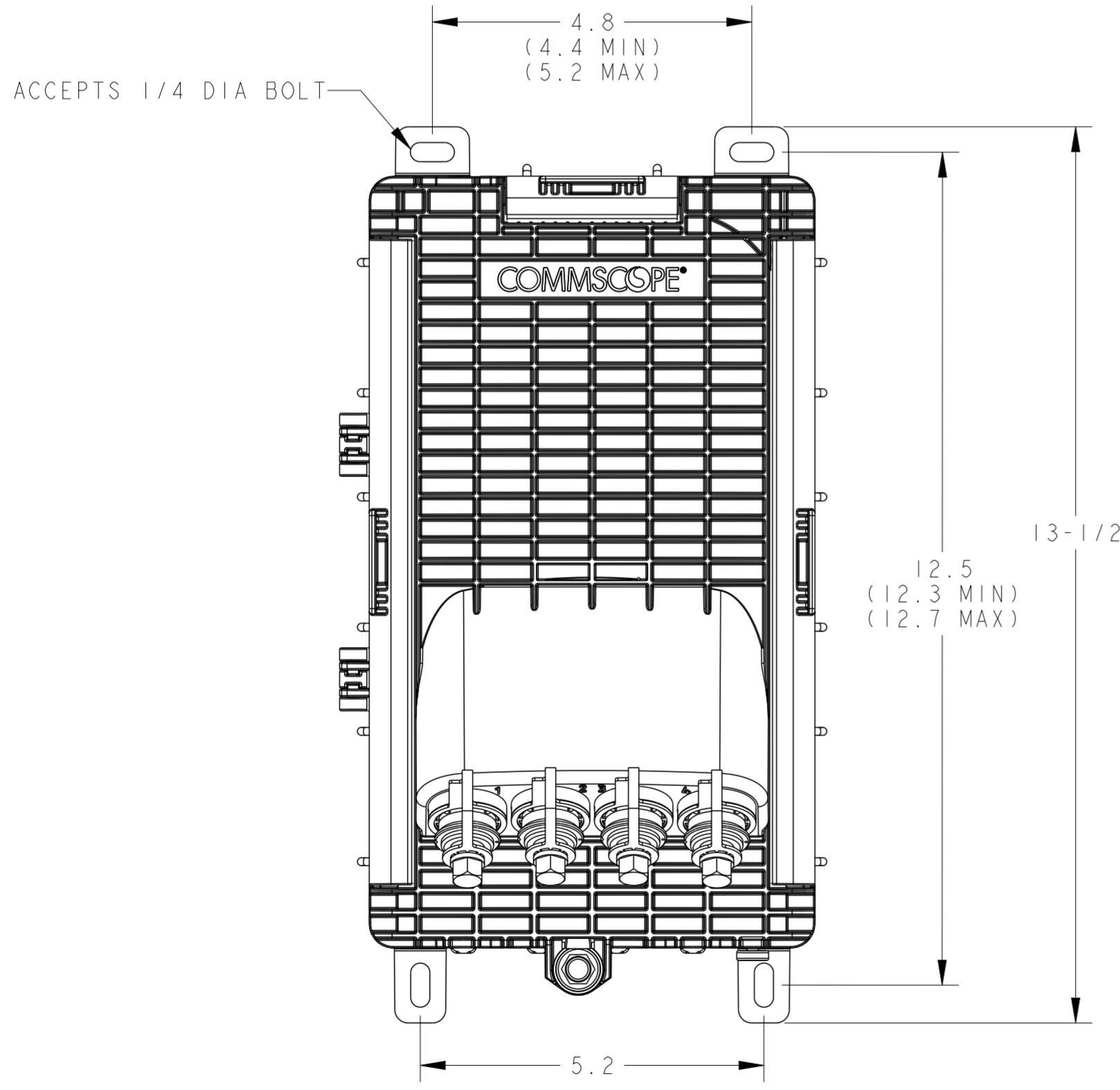
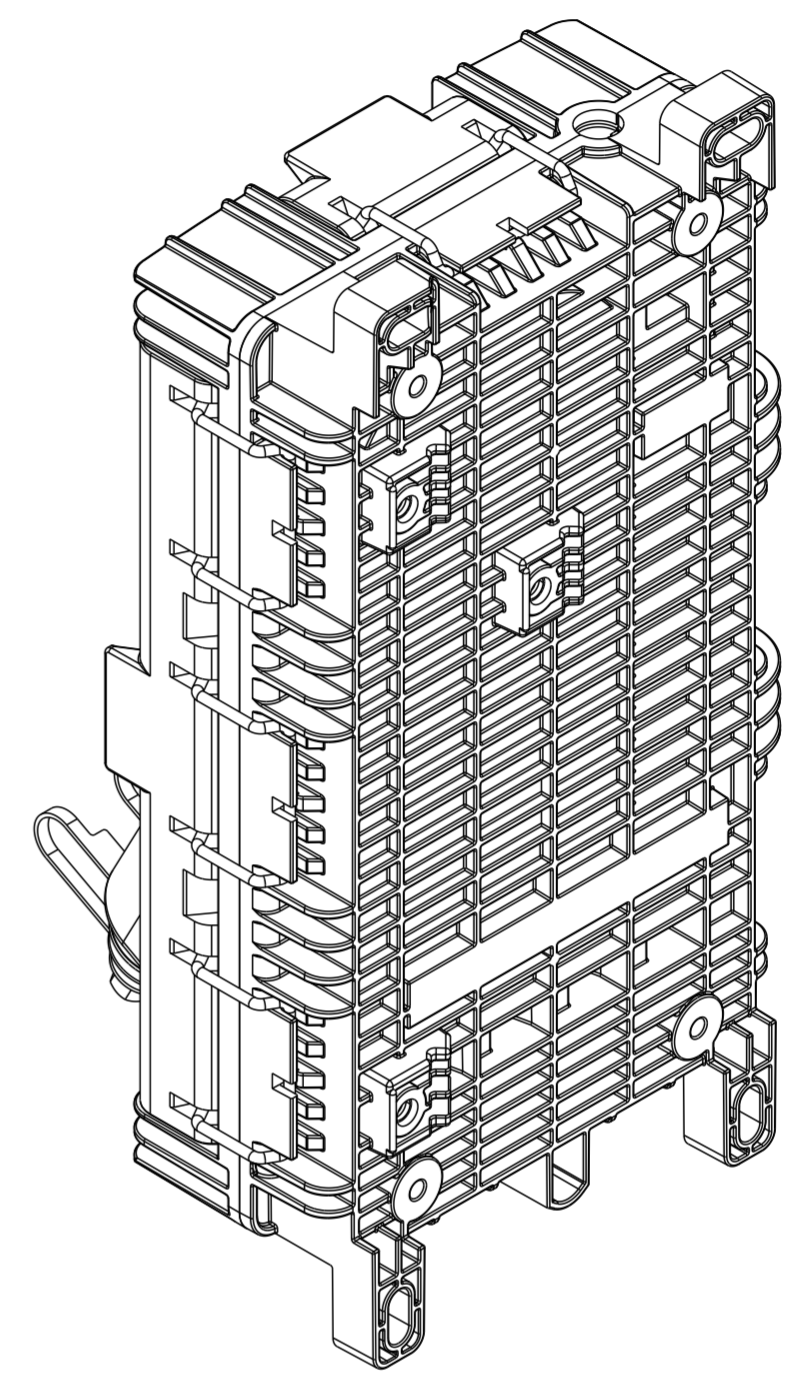
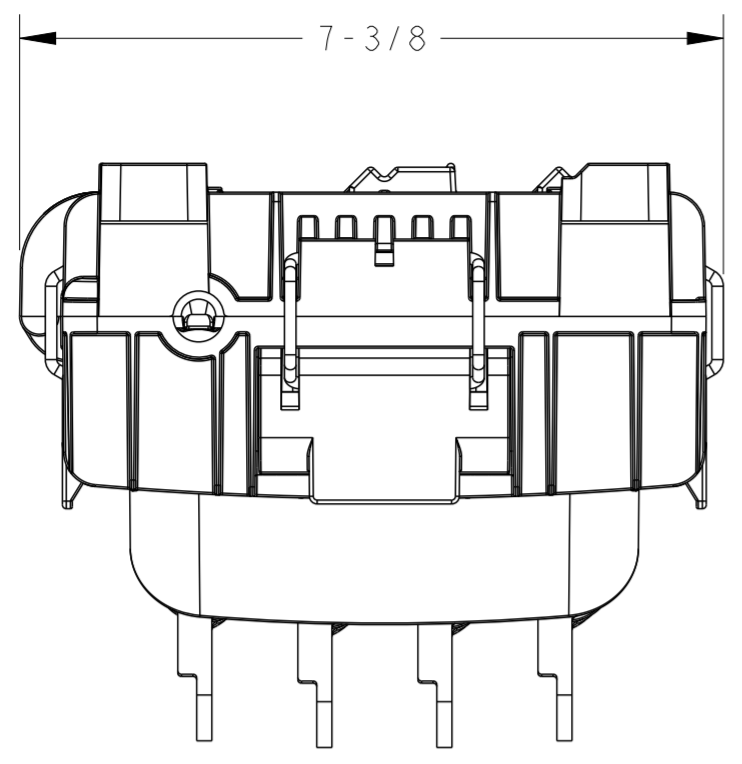
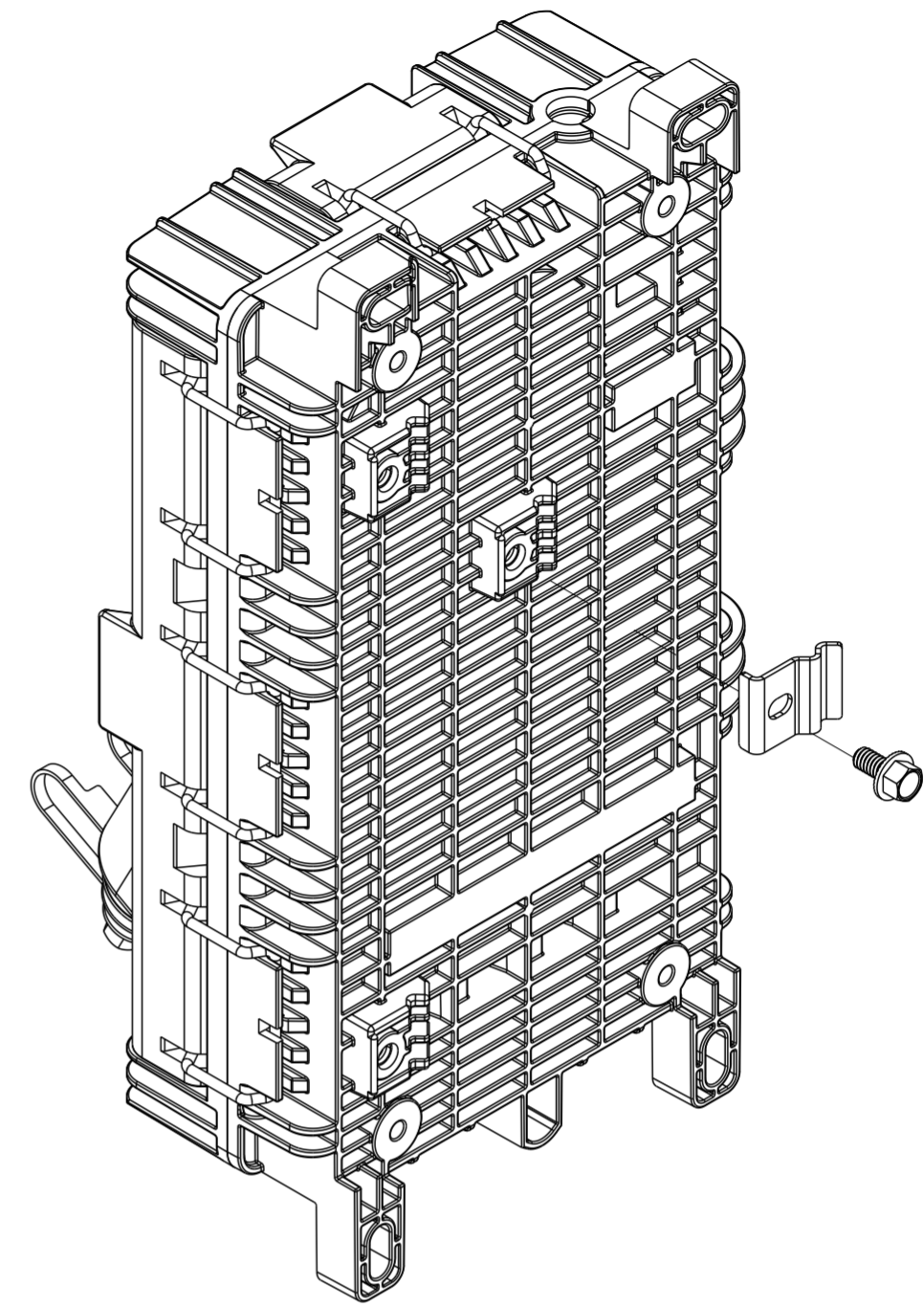
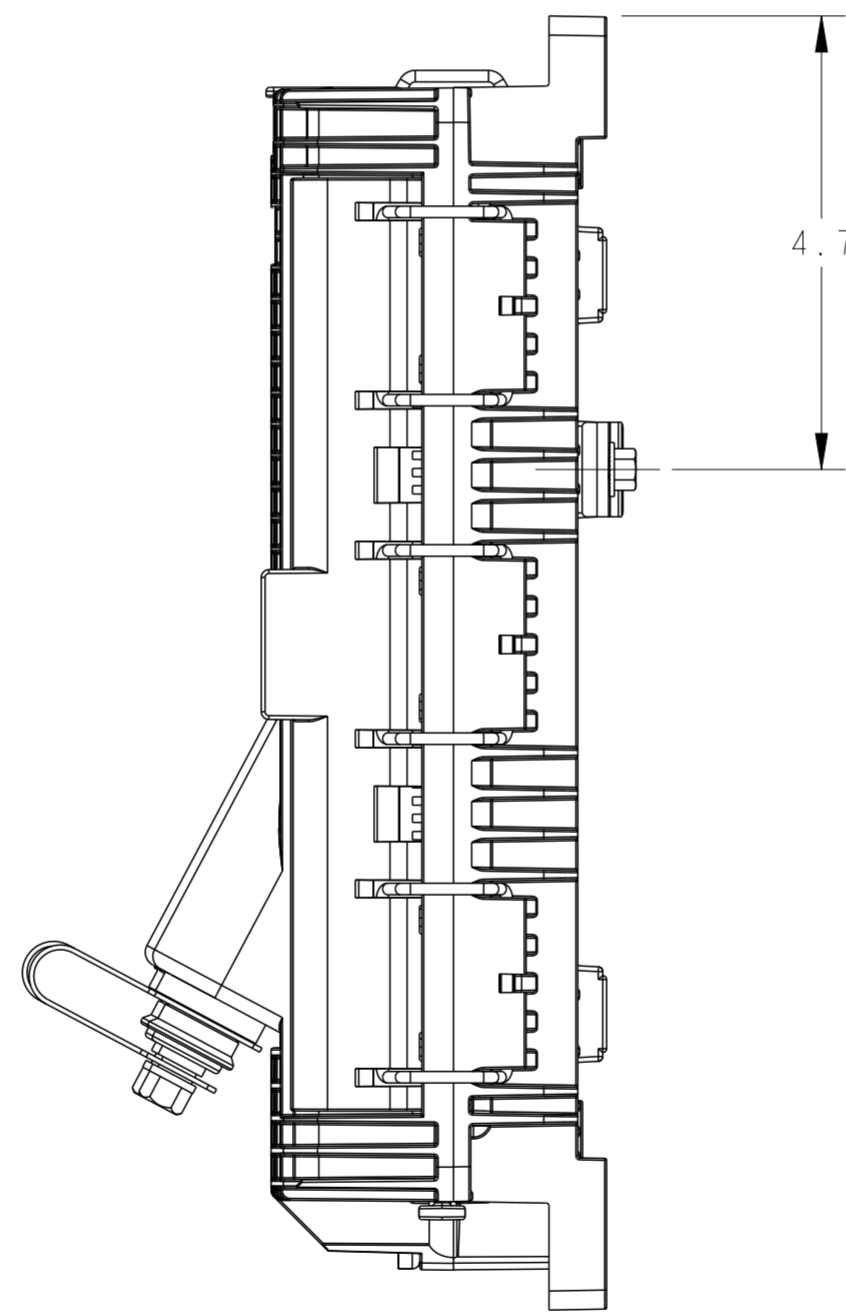
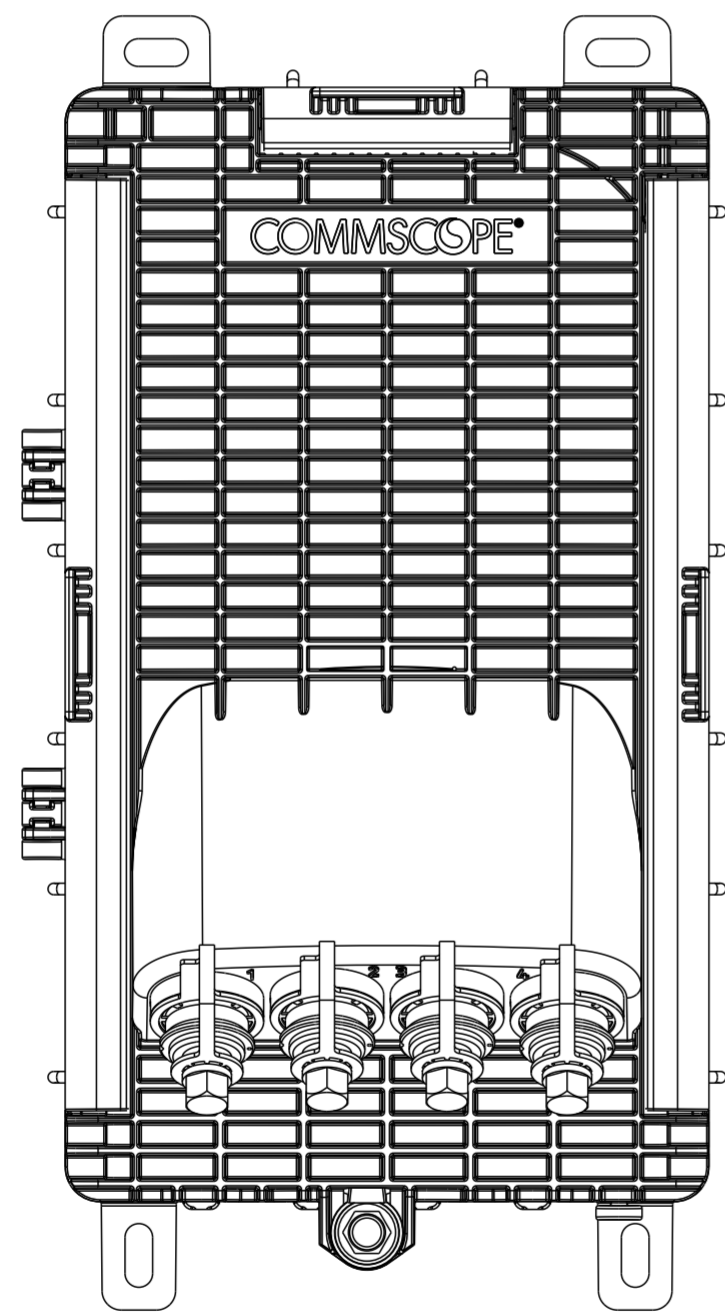
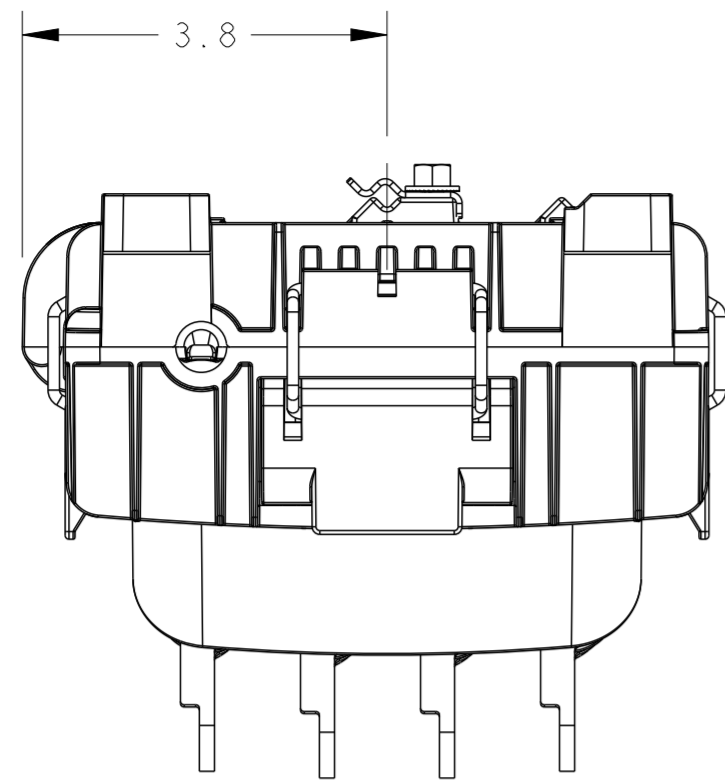


REVISIONS			
REV	CMO	DATE	APPROVED
B	8000020964	27-MAY-2017	EDB
C	40090365CMO	10-MAY-2019	BB



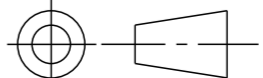
BASE VERSION
4-PORT SHOWN
FOR REFERENCE

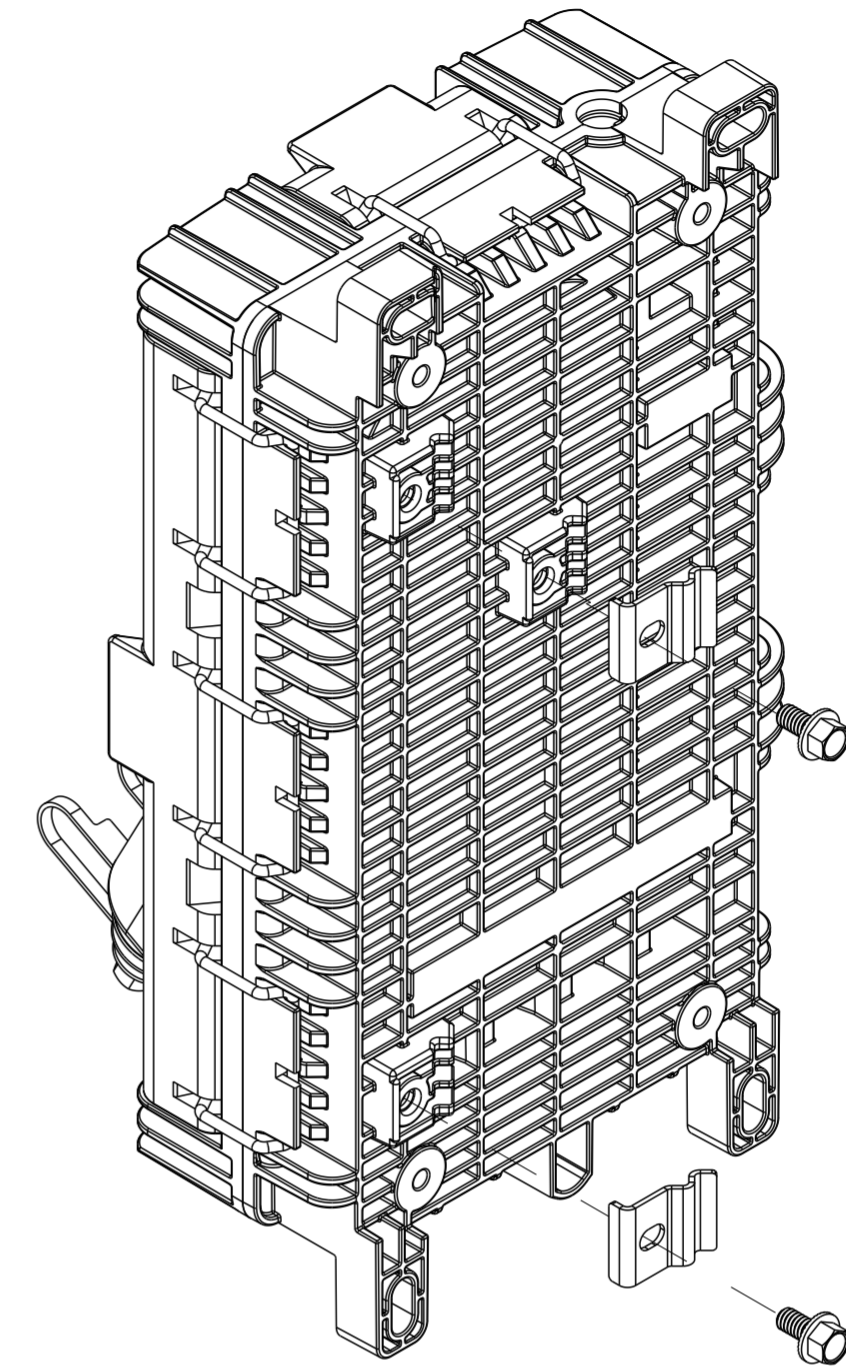
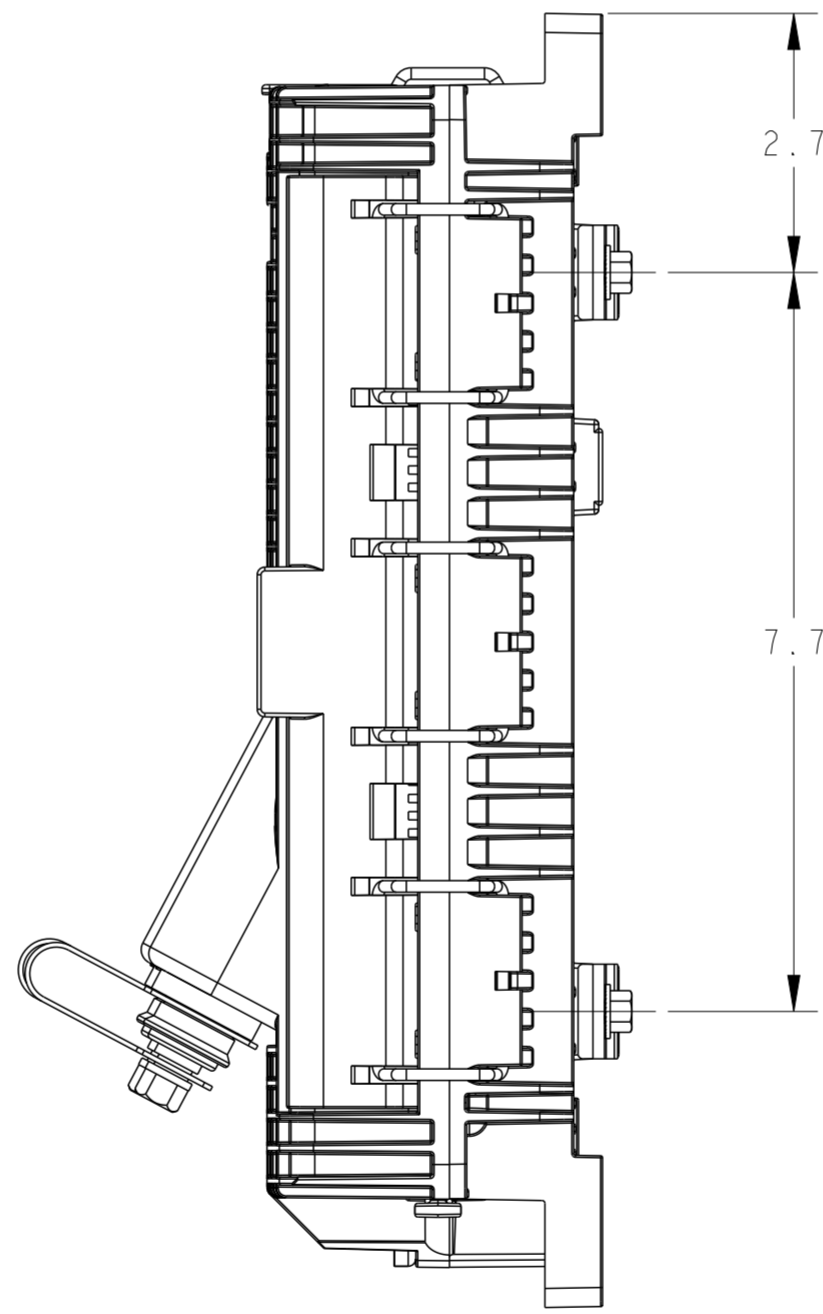
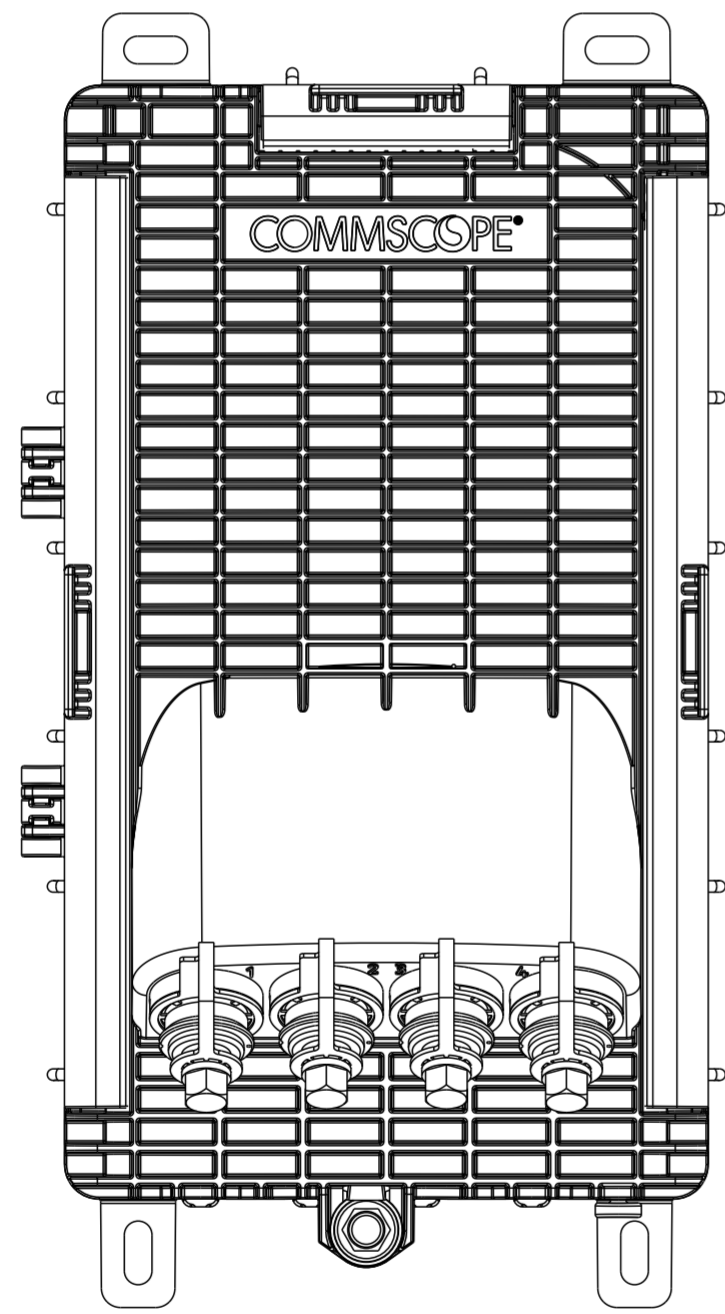
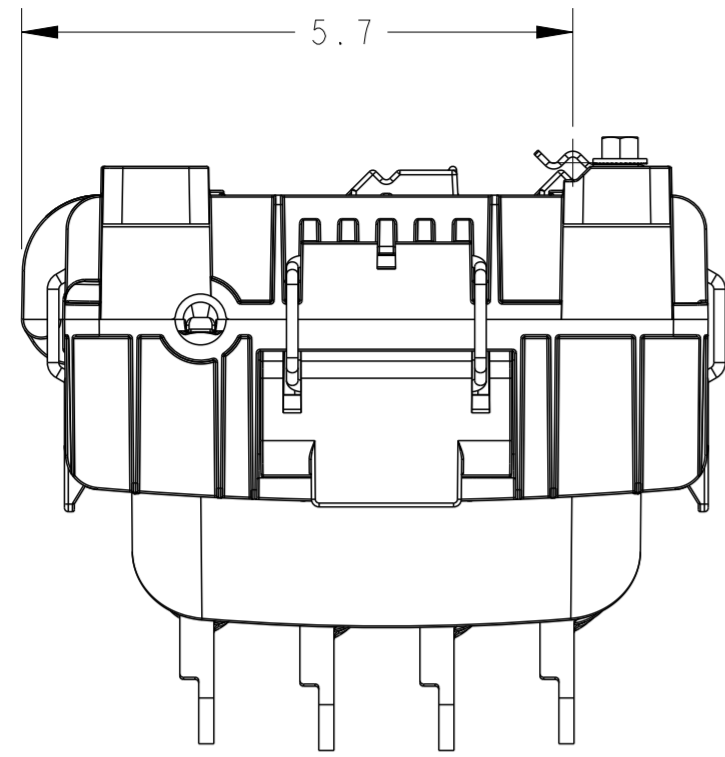
COMMSCOPE, INC.			
DRAFTER EMMANUEL ALTAMIRANO	TITLE OTE-M-300 INSTALL DRW		
ENGINEER WILLIAM BRYAN	SIZE A2	SCALE 1:2	DOCUMENT NO. 300100118553
CUSTOMER DRAWING			REVISION SHEET C 1 OF 6



**PEDESTAL UNIVERSAL
MOUNTING PLATE**

VERSION 1
4-PORT SHOWN
FOR REFERENCE

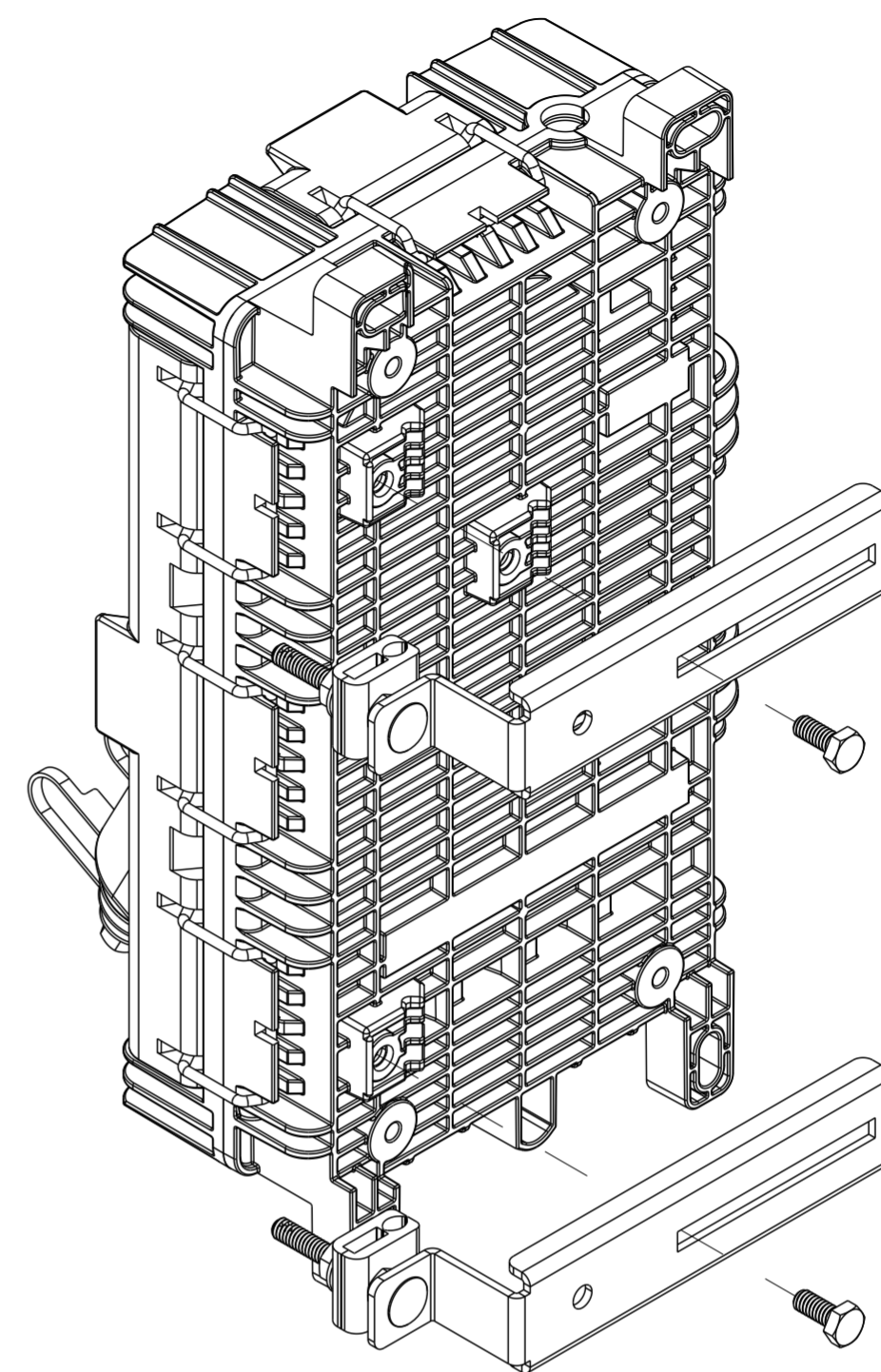
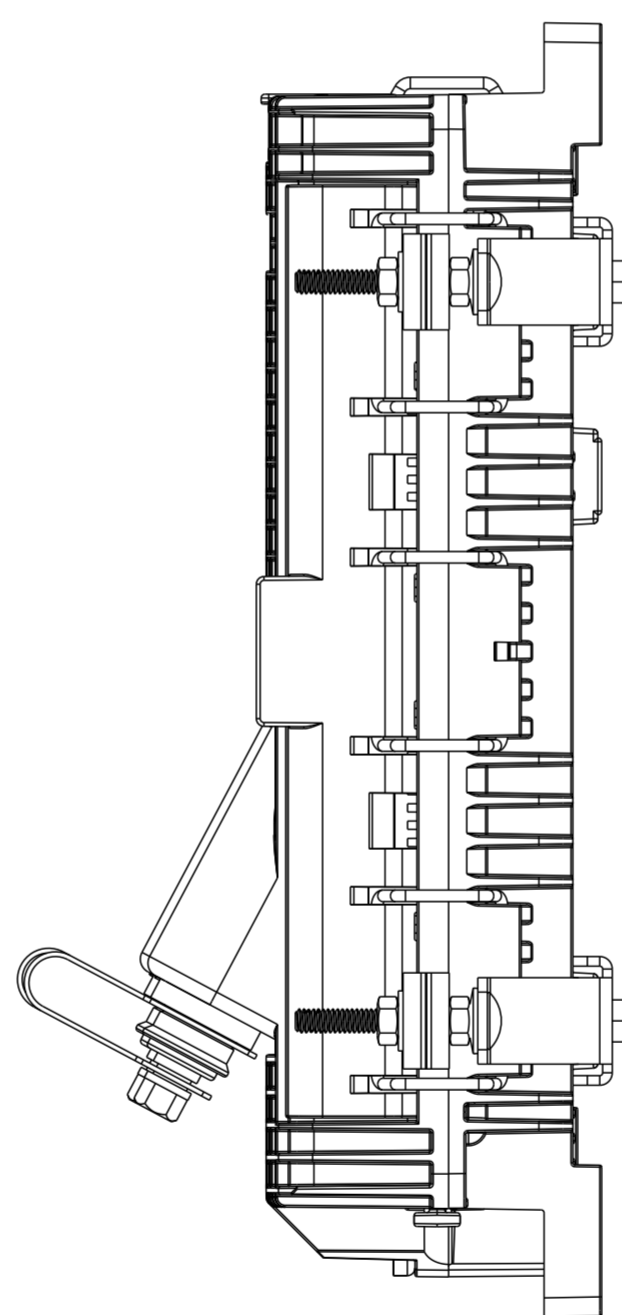
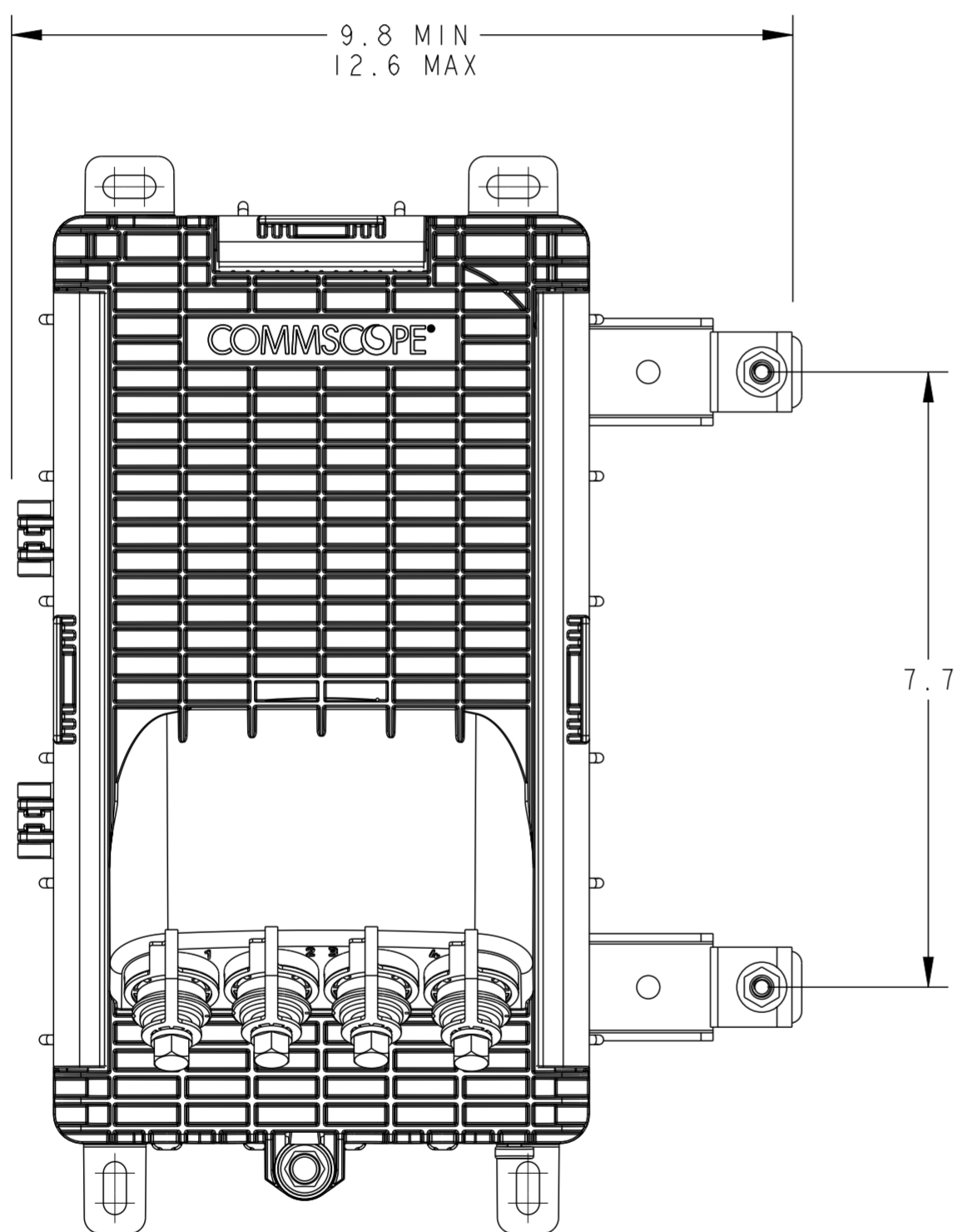
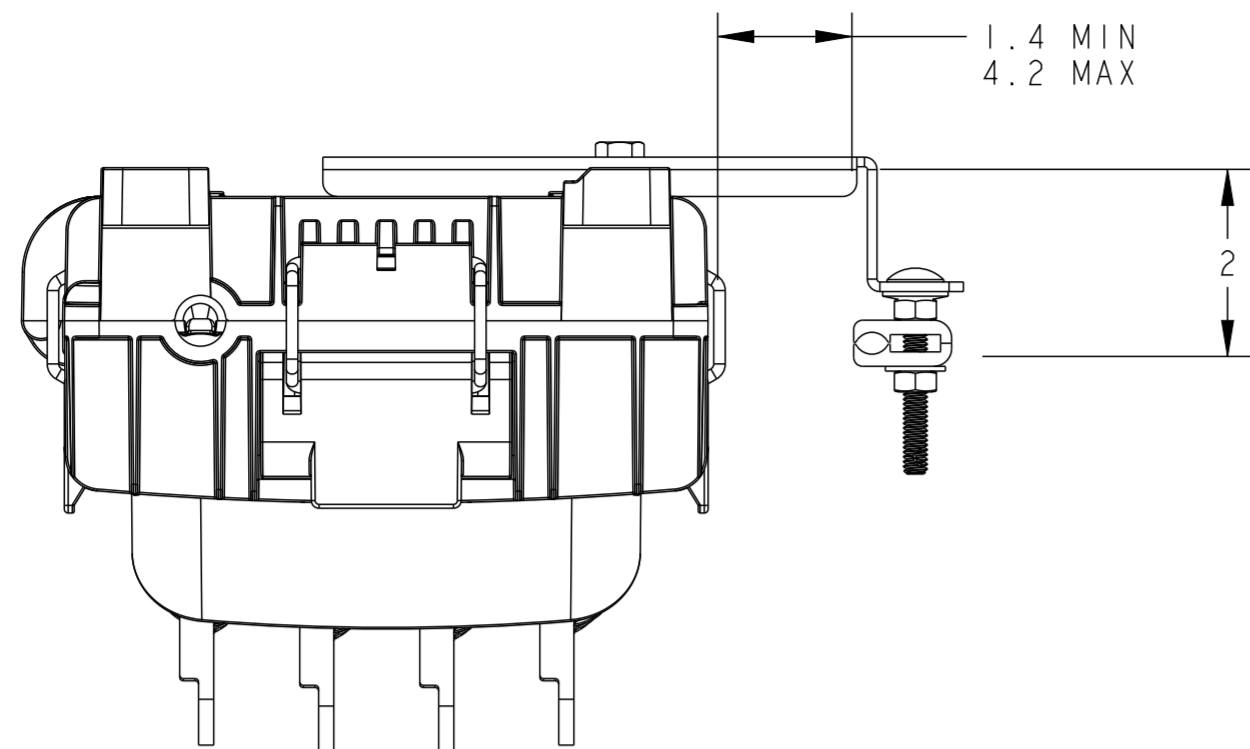
COMMSCOPE, INC.			
DRAFTER EMMANUEL ALTAMIRANO		TITLE OTE-M-300 INSTALL DRW	
ENGINEER WILLIAM BRYAN		SIZE A2	SCALE 1:2
		DOCUMENT NO. 300100118553	
 CUSTOMER DRAWING			REVISION C
			SHEET 2 OF 6



PEDESTAL D-BAR

VERSION 2
4-PORT SHOWN
FOR REFERENCE

COMMSCOPE, INC.			
DRAFTER EMMANUEL ALTAMIRANO		TITLE OTE-M-300 INSTALL DRW	
ENGINEER WILLIAM BRYAN	SIZE A2	SCALE 1:2	DOCUMENT NO. 300100118553
CUSTOMER DRAWING			REVISION C
			SHEET 3 OF 6

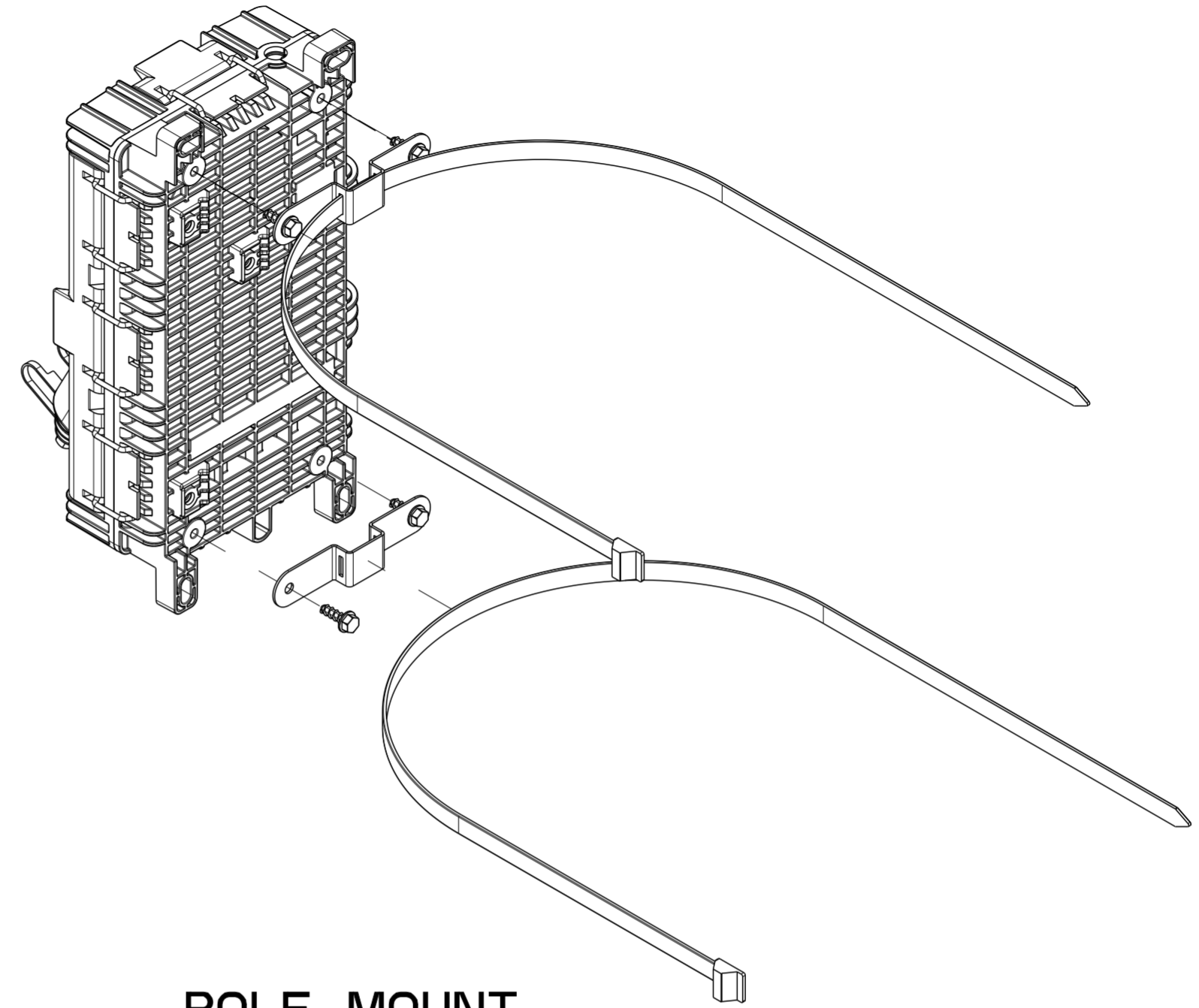
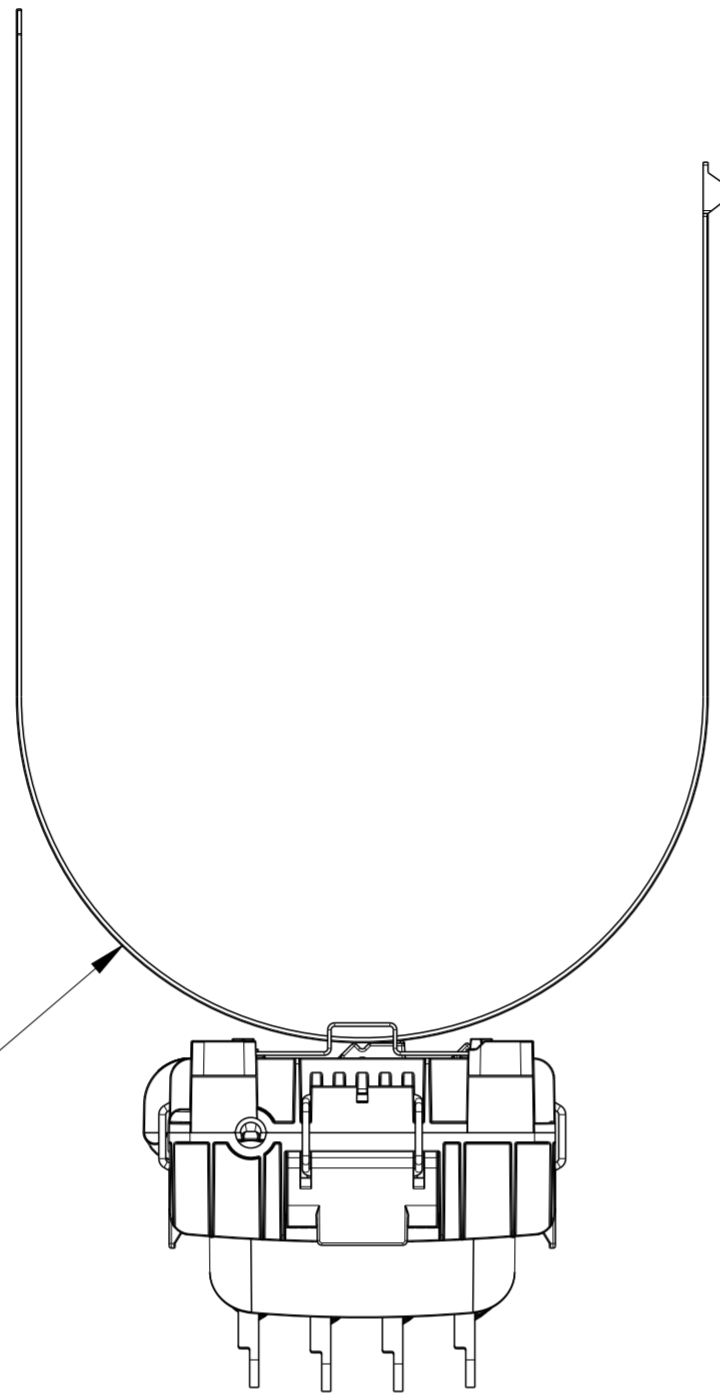


STRAND MOUNTING

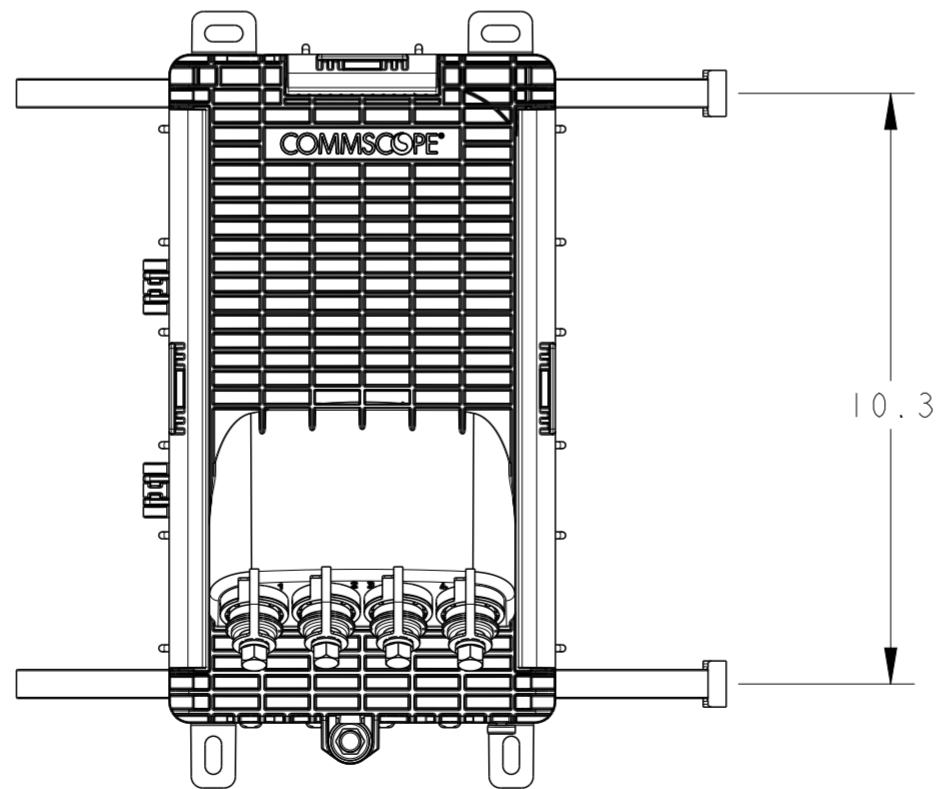
VERSION 3
4-PORT SHOWN
FOR REFERENCE

COMMSCOPE, INC.			
DRAFTER EMMANUEL ALTAMIRANO		TITLE OTE-M-300 INSTALL DRW	
ENGINEER WILLIAM BRYAN	SIZE A2	SCALE 1:2	DOCUMENT NO. 300100118553
CUSTOMER DRAWING			REVISION C
			SHEET 4 OF 6

MAXIMUM 12 DIA POLE

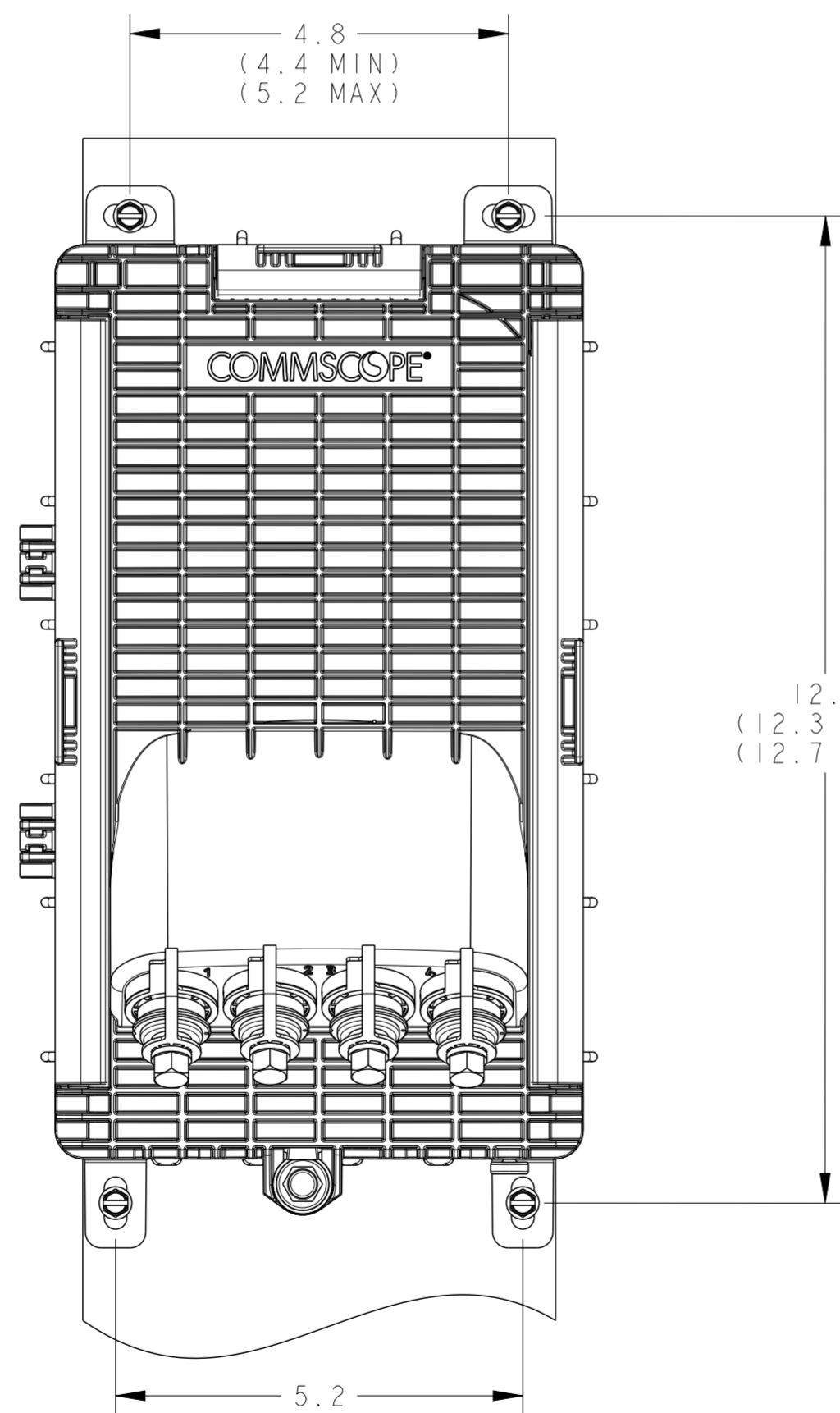
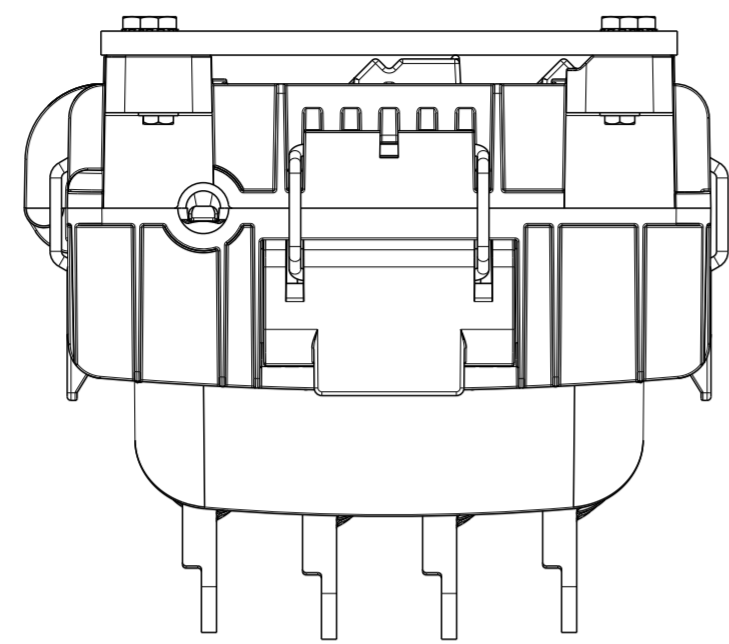


POLE MOUNT

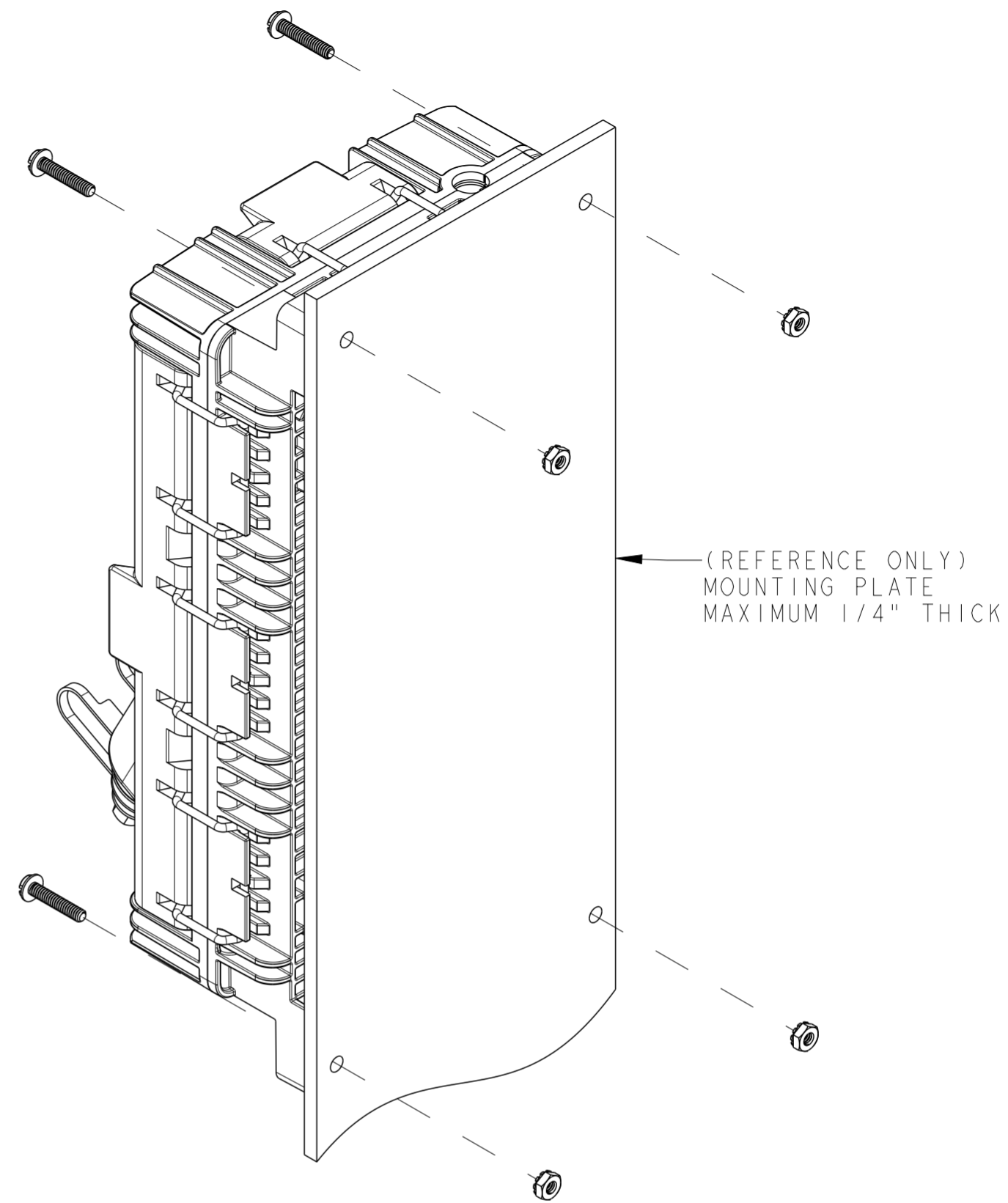


VERSION 4
4-PORT SHOWN
FOR REFERENCE

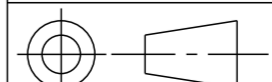
COMMSCOPE, INC.				
DRAFTER EMMANUEL ALTAMIRANO		TITLE OTE-M-300 INSTALL DRW		
ENGINEER WILLIAM BRYAN		SIZE A2	SCALE 3:10	DOCUMENT NO. 300100118553
CUSTOMER DRAWING			REVISION C	SHEET 5 OF 6



VERSION 5
4-PORT SHOWN
FOR REFERENCE



TWC MOUNT

COMMSCOPE, INC.			
DRAFTER EMMANUEL ALTAMIRANO		TITLE OTE-M-300 INSTALL DRW	
ENGINEER WILLIAM BRYAN		SIZE A2	SCALE 1:2
		DOCUMENT NO. 300100118553	
 CUSTOMER DRAWING			REVISION C
			SHEET 6 OF 6