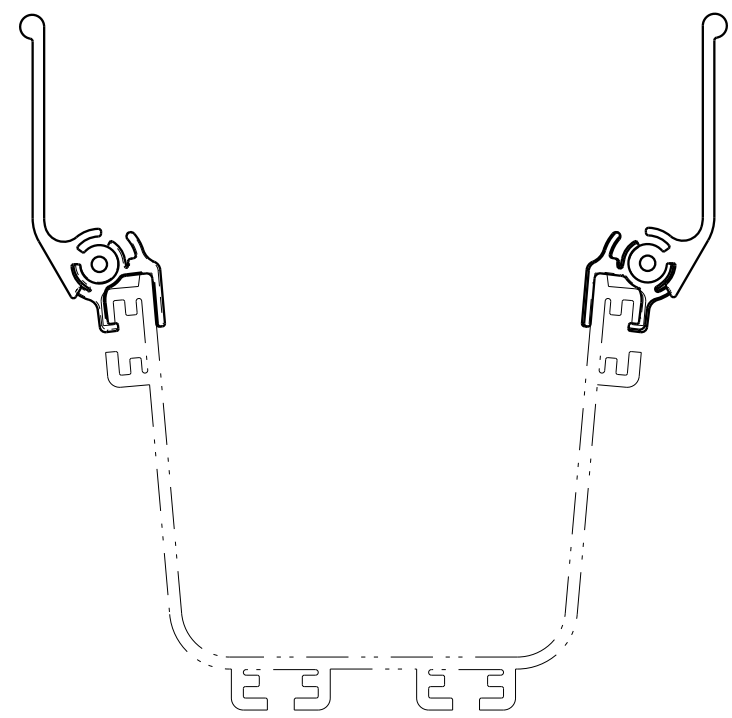
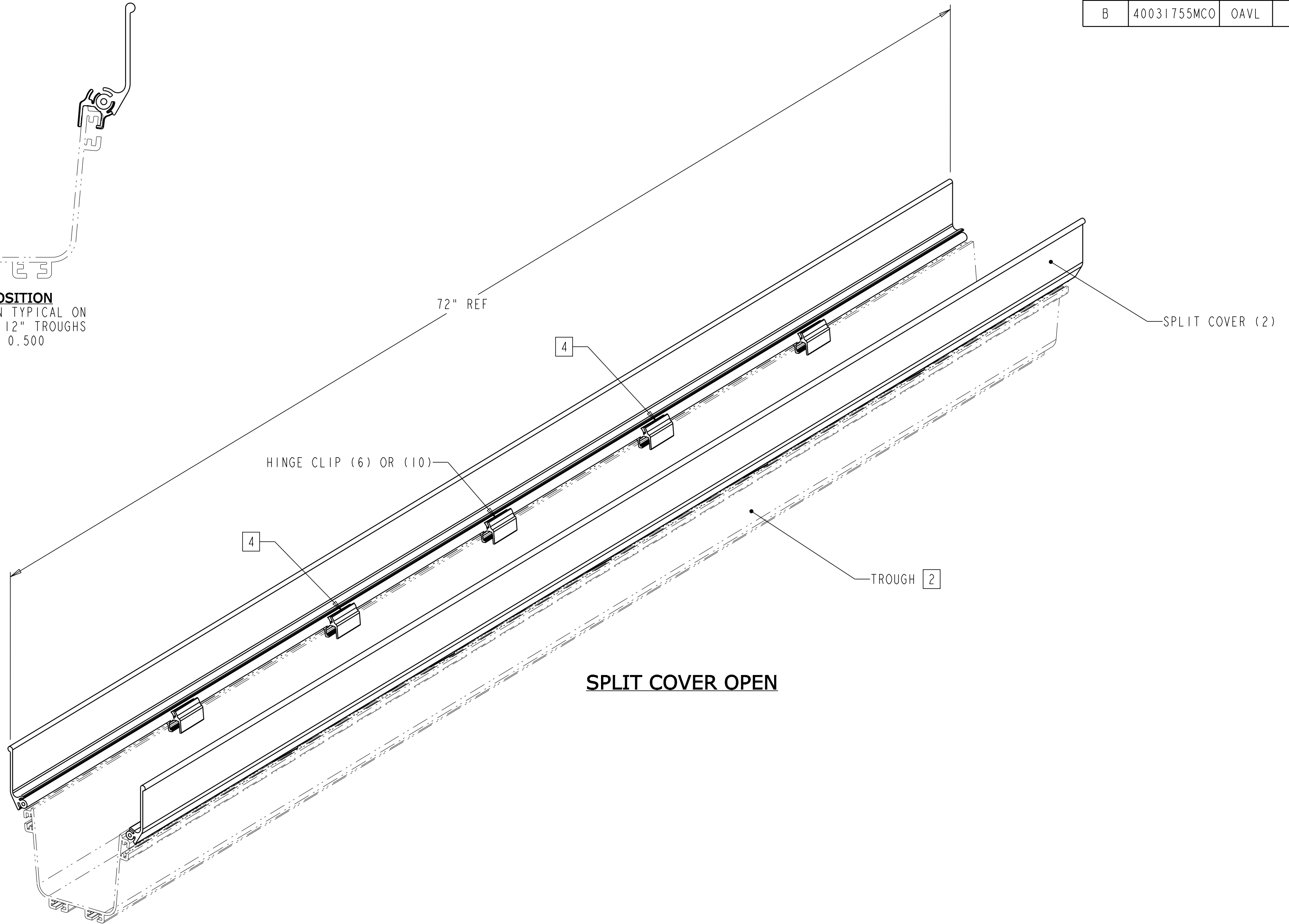


REV.	MCO	DWN	DATE
A	20169104	CJS	03-MAY-05
B	40031755MCO	OAVL	24-JUN-16



**OPEN POSITION**  
 INSTALLATION TYPICAL ON  
 4", 6", AND 12" TROUGHS  
 SCALE 0.500



**SPLIT COVER OPEN**

**NOTES:**

1. KIT CONTAINS: (2) 72" SPLIT COVERS  
 (6) OR (10) HINGE CLIPS.

2 TROUGH NOT CONTAINED IN KIT.

3. PLACE HINGE CLIPS APPROXIMATELY AS SHOWN.

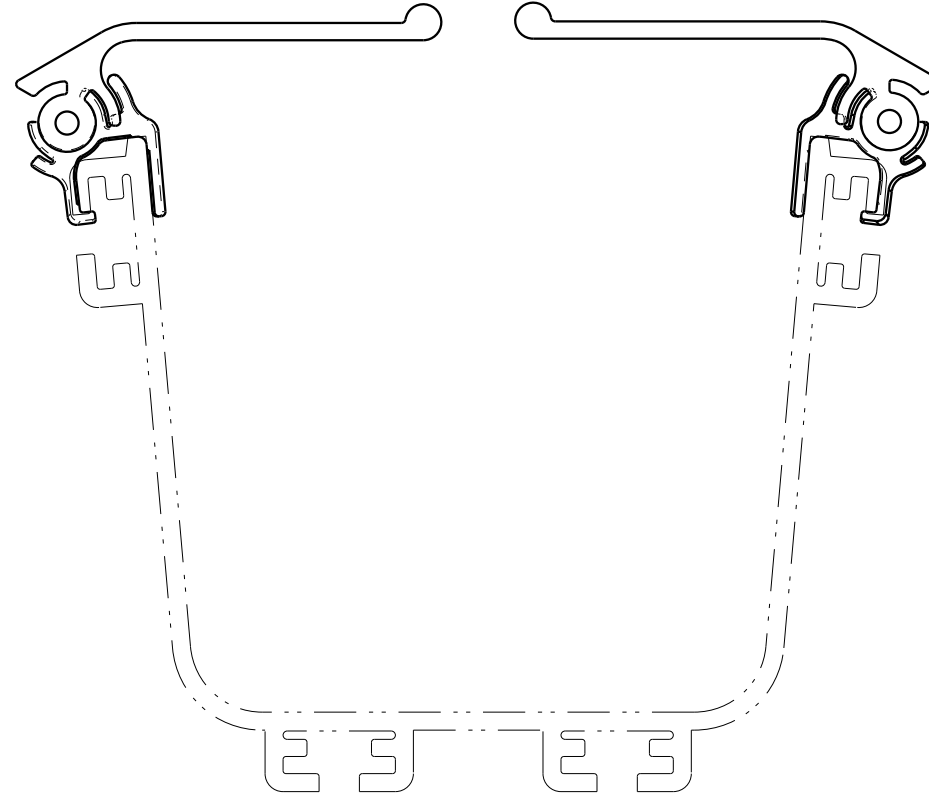
4 ONLY USED IN 12" KITS.

CATALOG NUMBER	COLOR	TROUGH SIZE
FGS-DSHC-A	YELLOW	4" X 4"
FGS-DSHC-B/G	YELLOW	2" X 6"
		4" X 6"
FGS-DSHC-F	YELLOW	4" X 12"

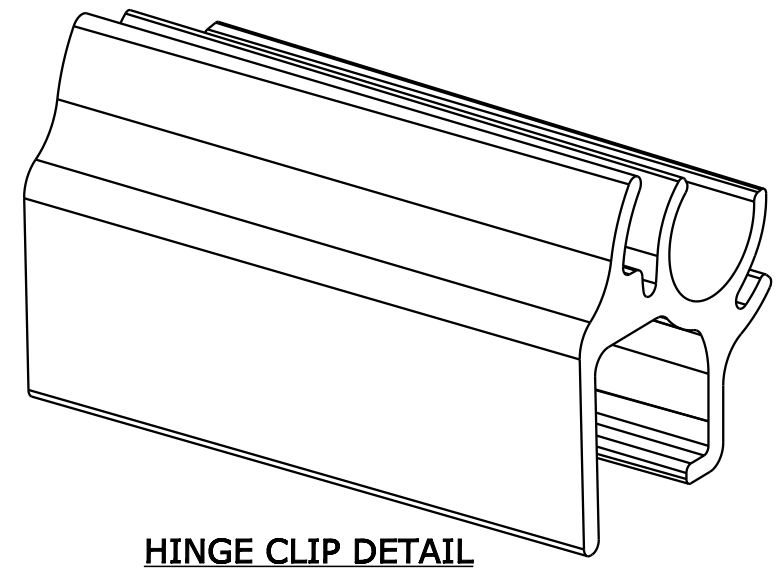
<small>© 2016 COMMSCOPE, INC. CONFIDENTIAL          NOTICE: THESE DRAWINGS AND SPECIFICATIONS          ARE THE PROPRIETARY PROPERTY OF          COMMSCOPE, INC. AND MAY BE USED ONLY FOR THE          SPECIFIC PURPOSE AUTHORIZED IN WRITING BY          COMMSCOPE, INC.</small>	TITLE KIT, SPLIT COVER, HINGED, FGS, INSTALLATION DRAWING	
	<small>ALL DIMS AND TOLERANCES .XX:±xx          ARE INCHES UNLESS .XXX:±xxx          OTHERWISE SPECIFIED ANGULAR:±N/A</small>	C SIZE DRAWING NUMBER 1281041_ADC
DO NOT SCALE DRAWING	ENGR: DAN HERZOG DWN: C. SJODIN	SHT. 1 OF 2

COMMSCOPE, INC.

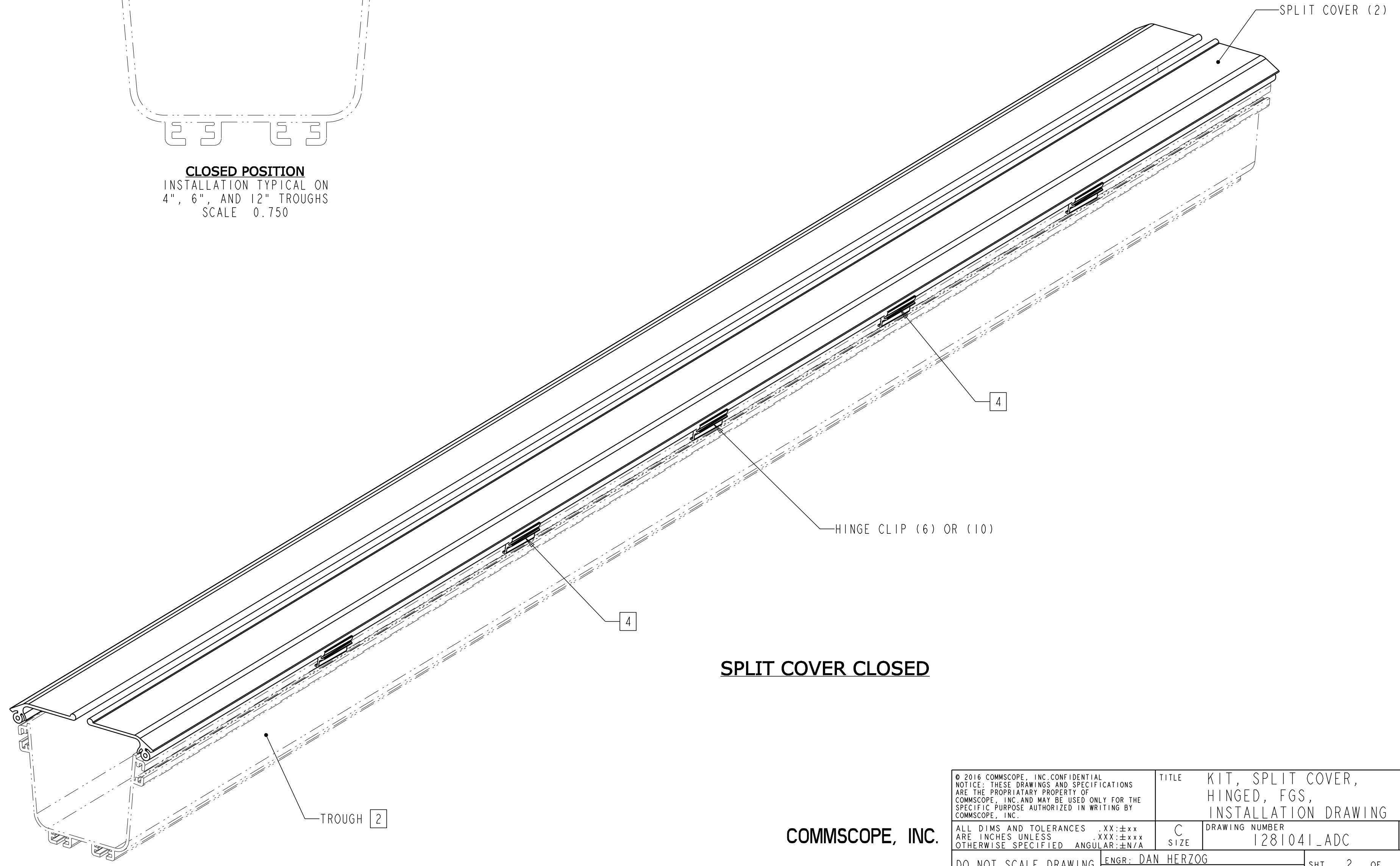
DIMENSIONS IN INCHES  
 THIRD ANGLE PROJECTION



**CLOSED POSITION**  
 INSTALLATION TYPICAL ON  
 4", 6", AND 12" TROUGHS  
 SCALE 0.750



**HINGE CLIP DETAIL**



**SPLIT COVER CLOSED**

COMMSCOPE, INC.

<small>© 2016 COMMSCOPE, INC. CONFIDENTIAL          NOTICE: THESE DRAWINGS AND SPECIFICATIONS          ARE THE PROPRIETARY PROPERTY OF          COMMSCOPE, INC. AND MAY BE USED ONLY FOR THE          SPECIFIC PURPOSE AUTHORIZED IN WRITING BY          COMMSCOPE, INC.</small>		TITLE KIT, SPLIT COVER, HINGED, FGS, INSTALLATION DRAWING	
<small>ALL DIMS AND TOLERANCES .XX:±.XX          ARE INCHES UNLESS .XXX:±.XXX          OTHERWISE SPECIFIED ANGULAR:±N/A</small>		C SIZE	DRAWING NUMBER 1281041_ADC
DO NOT SCALE DRAWING		ENGR: DAN HERZOG DWN: C. SJODIN	B REV SHT. 2 OF 2



**DIMENSIONS IN INCHES  
 THIRD ANGLE PROJECTION**