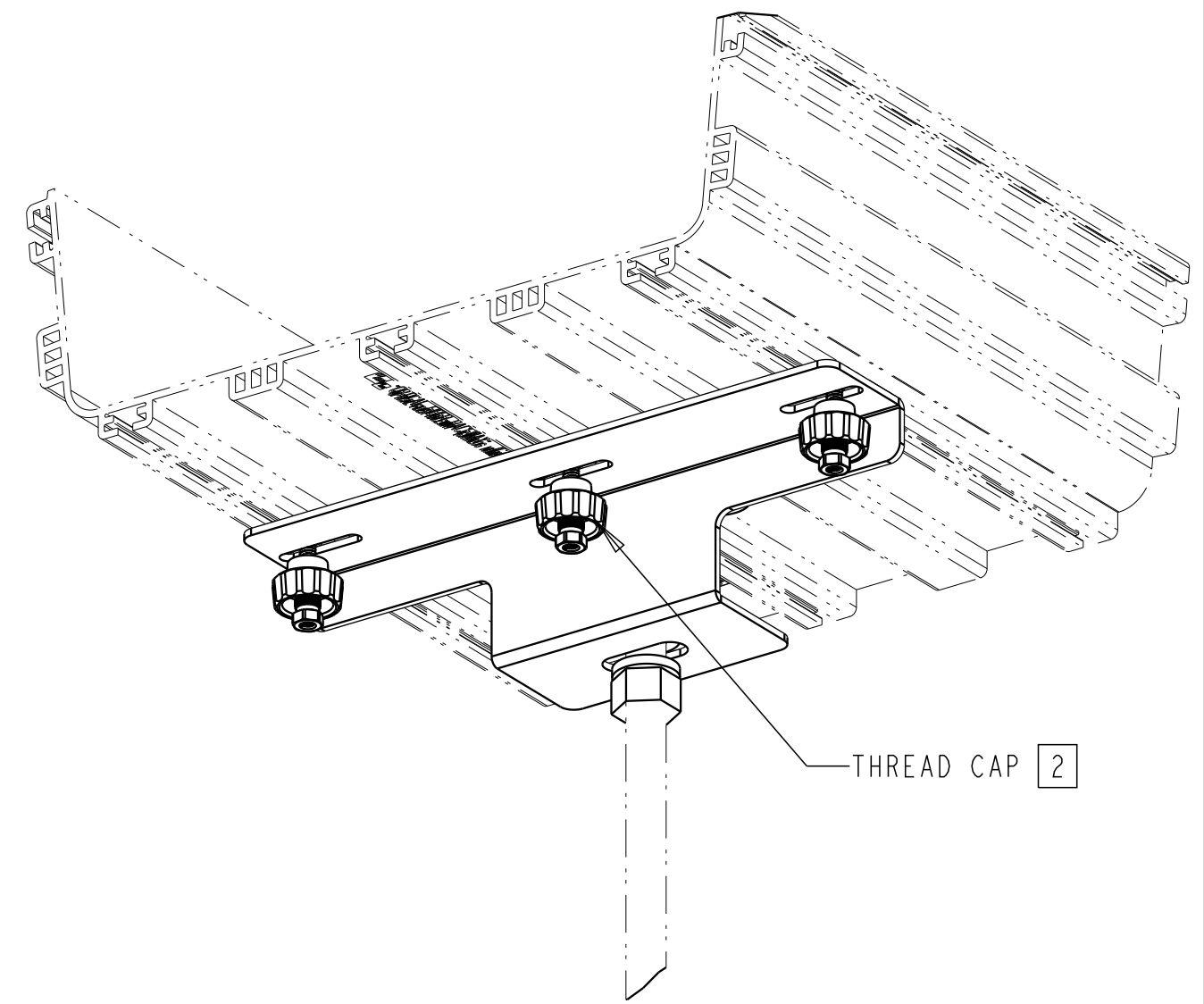
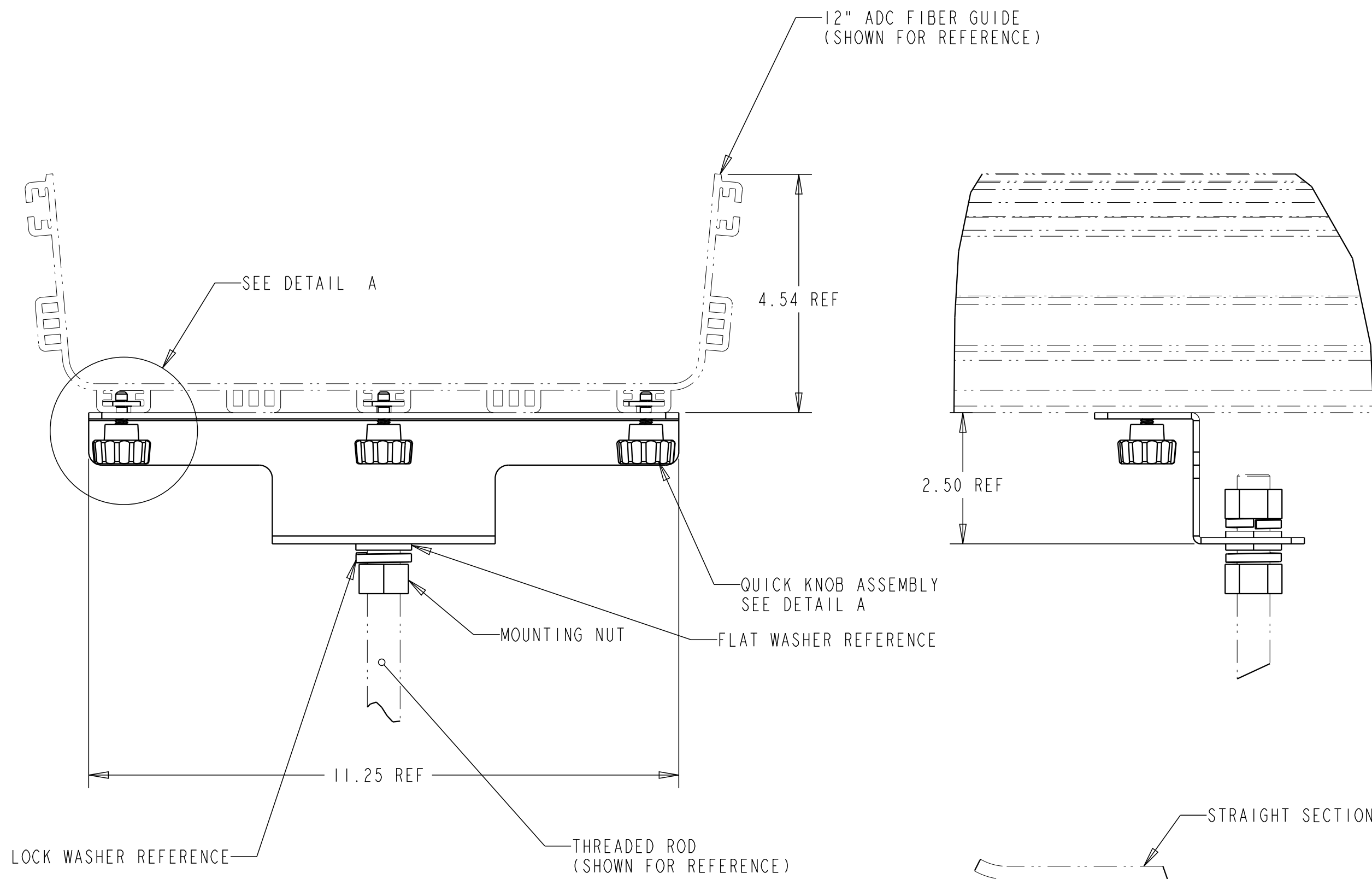
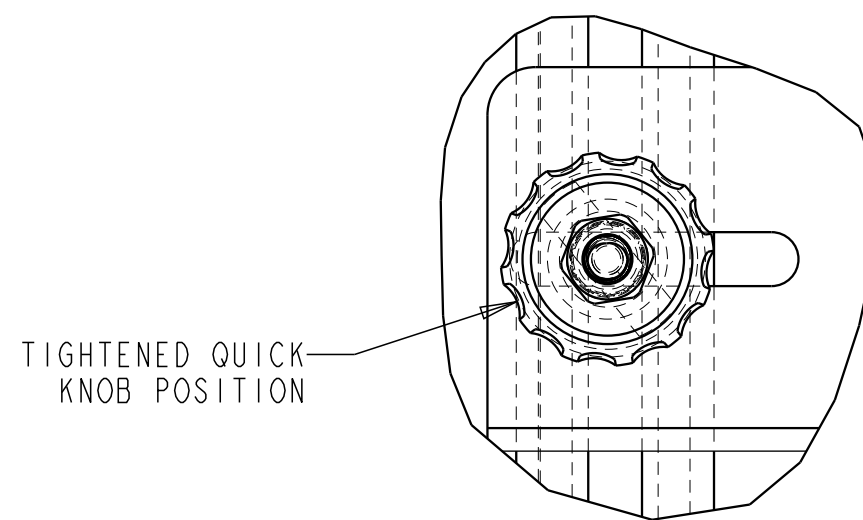
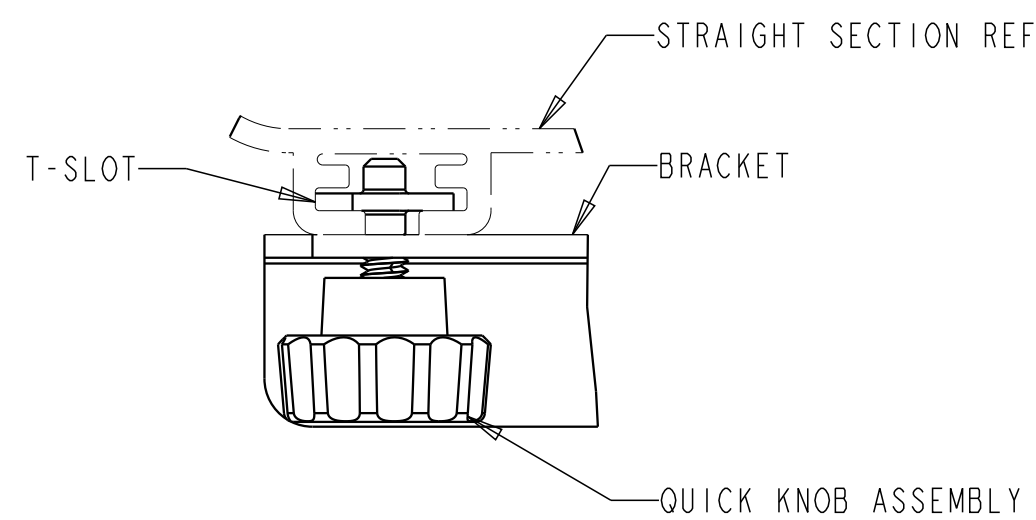


REV.	MCO	DWN	DATE
A	20087396	CNC	18-APR-01
B	40030119MCO	VFV	19-MAY-16



DETAIL A
SCALE 0.375



DETAIL A
SCALE 1.000

NOTES:

1. KIT INCLUDES THE FOLLOWING:

- (1) MOUNTING BRACKET
- (2) HEX NUT
- (2) SPLIT LOCK WASHER
- (3) ASSEMBLED QUICK KNOB
- (3) THREAD-FORMING BOSS SCREW

2 INCLUDE FLAT WASHER QUANTITY 2

FGS-HTUB-F-20MM	MOUNTING T-BRACKET 12" FGS 20mm ROD
FGS-HTUB-F-16MM	MOUNTING T-BRACKET 12" FGS 16mm ROD
2 FGS-HTUB-F-14MM	MOUNTING T-BRACKET 12" FGS 14mm ROD
FGS-HTUB-F-12MM	MOUNTING T-BRACKET 12" FGS 12mm ROD
FGS-HTUB-F-10MM	MOUNTING T-BRACKET 12" FGS 10mm ROD
FGS-HTUB-F-5/8	MOUNTING T-BRACKET 12" FGS 5/8" ROD
FGS-HTUB-F-1/2	MOUNTING T-BRACKET 12" FGS 1/2" ROD
CATALOG NUMBER	DESCRIPTION

© 2016 COMMSCOPE, INC. CONFIDENTIAL NOTICE: THESE DRAWINGS AND SPECIFICATIONS ARE THE PROPRIETARY PROPERTY OF COMMSCOPE, INC. AND MAY BE USED ONLY FOR THE SPECIFIC PURPOSE AUTHORIZED IN WRITING BY COMMSCOPE, INC.		TITLE 12" FGS SUPPORT BRACKET INSTL DWG	
ALL DIMS AND TOLERANCES ARE INCHES UNLESS OTHERWISE SPECIFIED	.XX:±.02 .XXX:±.010 ANGULAR:±2°	C SIZE	DRAWING NUMBER 1168699_ADC
DO NOT SCALE DRAWING	ENGR: DEREK DERKS DWN: CRAIG ZELASKO	B REV	
		SHT. 1 OF 1	

COMMSCOPE, INC.

DIMENSIONS IN INCHES
THIRD ANGLE PROJECTION