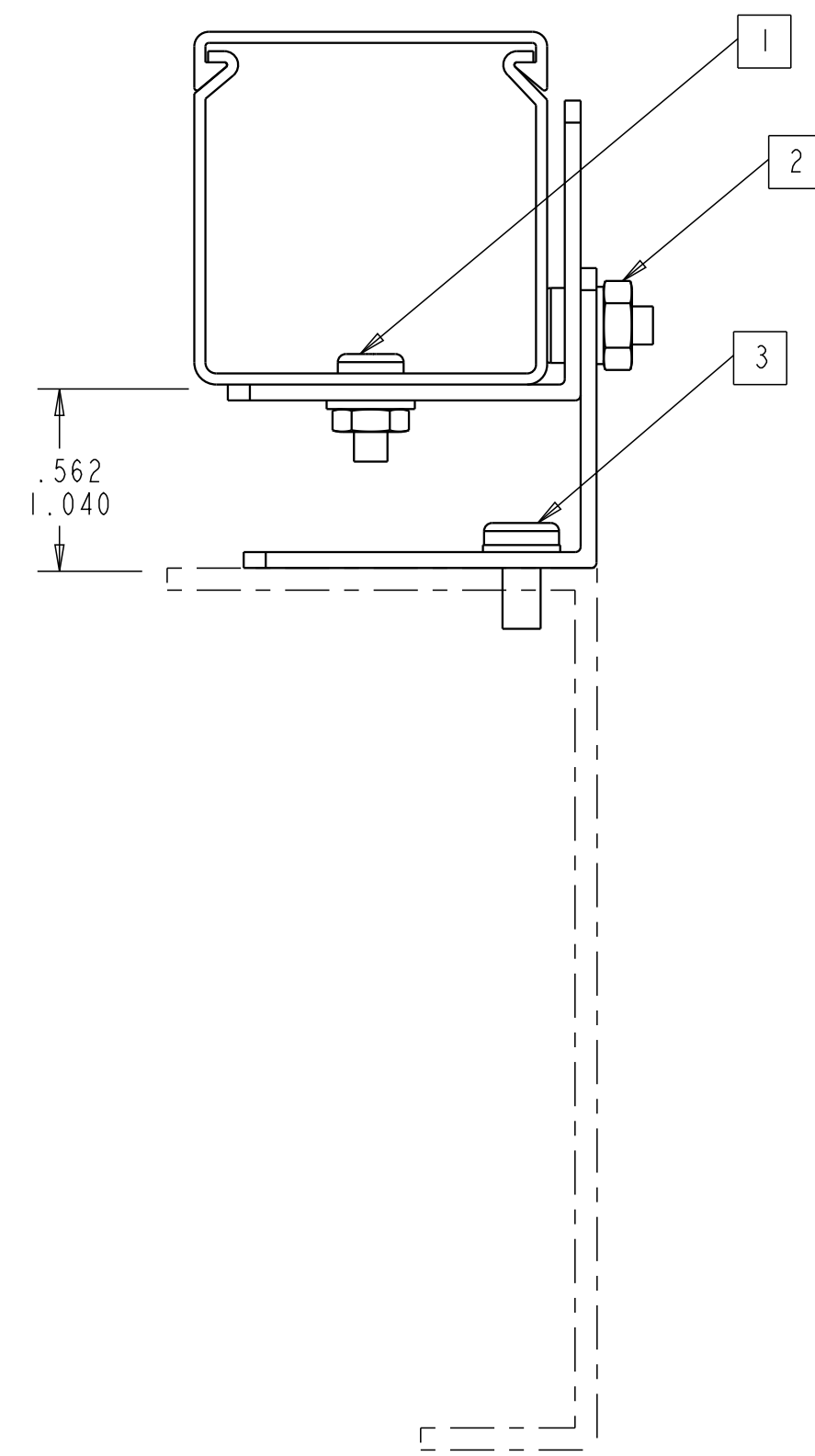
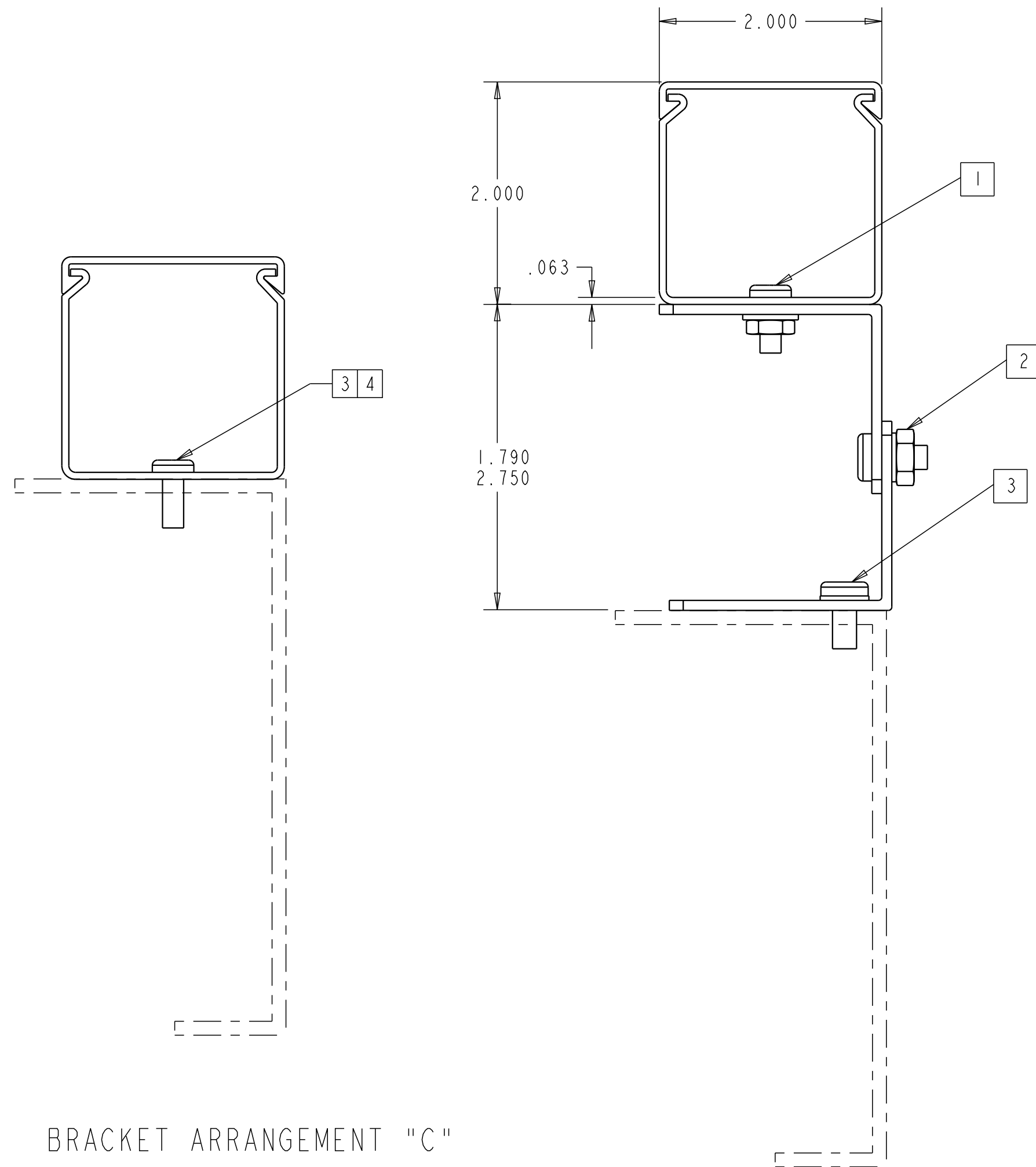


REV.	MCO	DWN	DATE
D	20239869	OCM	14-MAY-08
E	40032067MCO	OAVL	11-JUL-16

KEY
 ——— COMPONENTS INCLUDED IN KIT
 - - - COMPONENTS NOT INCLUDED IN KIT



BRACKET ARRANGEMENT "C"

BRACKET ARRANGEMENT "A"

BRACKET ARRANGEMENT "B"

QTY	PART DESCRIPTION
1	2" X 2" VERTICAL DUCT SOLID
1	DUCT COVER
10	DUCT MOUNTING BRACKETS
10	#12 X 1/2 SCREWS
10	#12 FLATWASHERS
5	#12 HEX NUTS
5	#10 X 3/8 SCREWS
5	#10 FLATWASHERS
5	#10 HEX NUTS
1	HOSE END CLAMP
2	#6 X 3/8 PAN HEAD SCREWS
2	#6 STAR-LOCK-WASHERS
2	#6 HEX NUTS

- NOTES:**
- 1. #10 SCREW, NUT, AND WASHER.
 - 2. #12 SCREW, NUT, AND WASHER.
 - 3. #12 SCREW AND WASHER.
 - 4. DRILL MOUNTING SLOTS ON 2X2 VERTICAL DUCT TO .25 DIA.

COMMSCOPE, INC.

© 2016 COMMSCOPE, INC. CONFIDENTIAL
 NOTICE: THESE DRAWINGS AND SPECIFICATIONS
 ARE THE PROPRIETARY PROPERTY OF
 COMMSCOPE, INC. AND MAY BE USED ONLY FOR THE
 SPECIFIC PURPOSE AUTHORIZED IN WRITING BY
 COMMSCOPE, INC.

ALL DIMS AND TOLERANCES .XX:±N/A
 ARE INCHES UNLESS .XXX:±N/A
 OTHERWISE SPECIFIED ANGULAR:±N/A

DO NOT SCALE DRAWING

ENGR: BRUCE MUSOLF
 DWN: MICHAEL VILLAS

FGSB-KTW4-C	BLACK
FGS-KTW4-C	YELLOW
CATALOG NUMBER	COLOR
TITLE	FIBERGUIDE KIT, 2X2 VERT SOLID DUCT (INSTALLATION DRAWING)
DRAWING NUMBER	4-29000-4185
SIZE	C
REV	E
SHT. 1 OF 1	

DIMENSIONS IN INCHES
 THIRD ANGLE PROJECTION