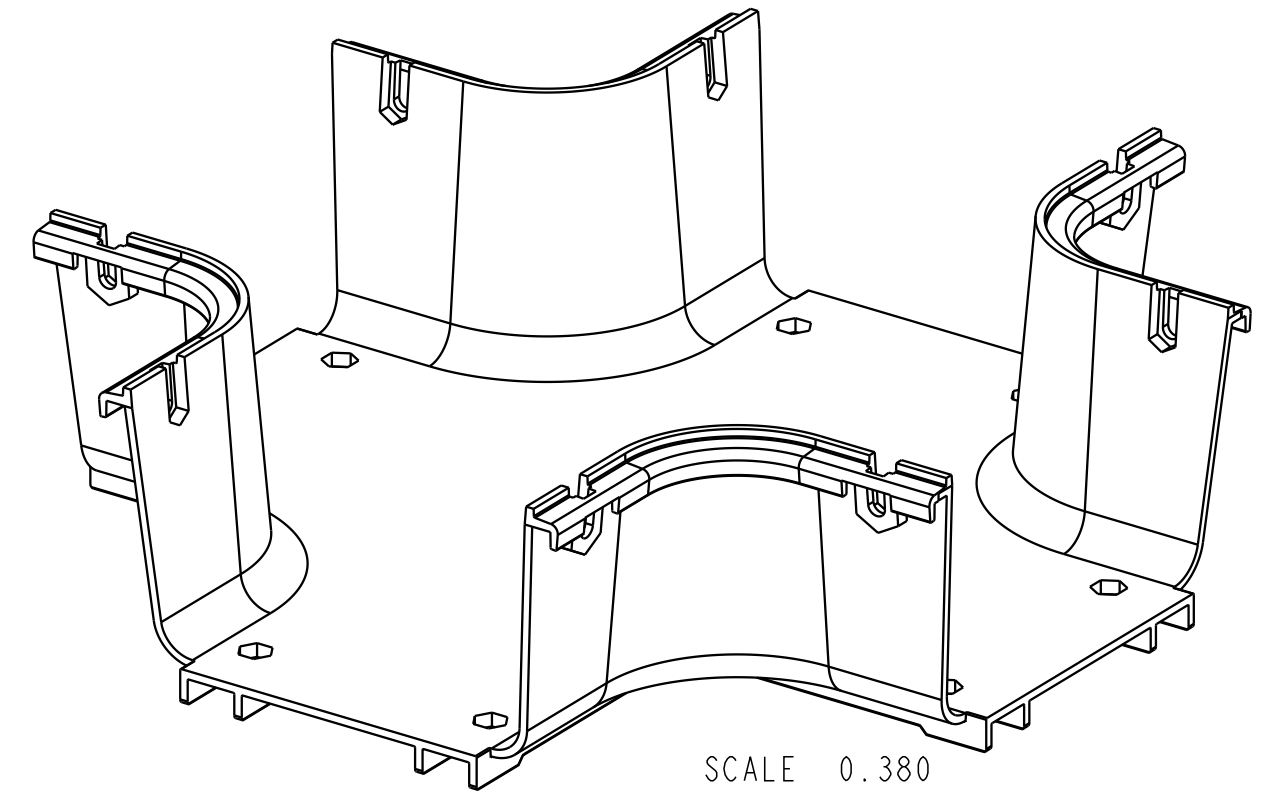
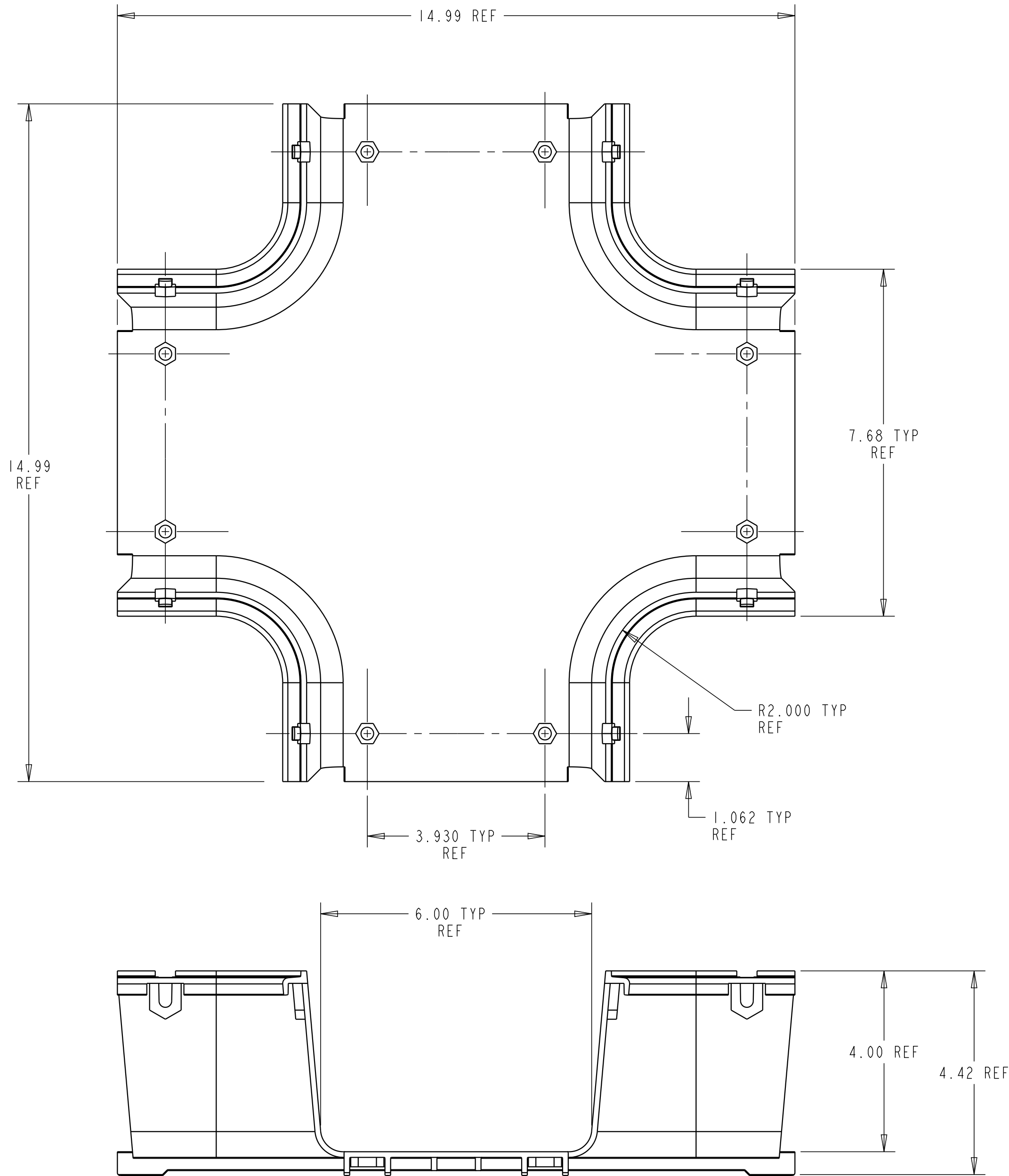


REV	MCO	DWN	DATE
B	20238208	AED	19-APR-08
C	40031755MCO	OAVL	24-JUN-16



**NOTES:**

- MATERIAL IS SELF EXTINGUISHING WITH A UL 94 RATING OF V-0.

CATALOG NO.	COLOR
FGSB-MHXP-B	BLACK
FGS-MHXP-B	YELLOW

COMMSCOPE, INC.

<small>© 2016 COMMSCOPE, INC. CONFIDENTIAL          NOTICE: THESE DRAWINGS AND SPECIFICATIONS ARE THE PROPRIETARY PROPERTY OF COMMSCOPE, INC. AND MAY BE USED ONLY FOR THE SPECIFIC PURPOSE AUTHORIZED IN WRITING BY COMMSCOPE, INC.</small>	TITLE CROSS, HORIZ, 4X6, FGS	
	<small>ALL DIMS AND TOLERANCES .XX:±.01          ARE INCHES UNLESS .XXX:±.005          OTHERWISE SPECIFIED ANGULAR:±1°</small>	C SIZE DRAWING NUMBER 4-40001-5181
DO NOT SCALE DRAWING	ENGR: T. HAATAJA DWN: DAN HECKSEL	SHT. 1 OF 1

DIMENSIONS IN INCHES  
THIRD ANGLE PROJECTION