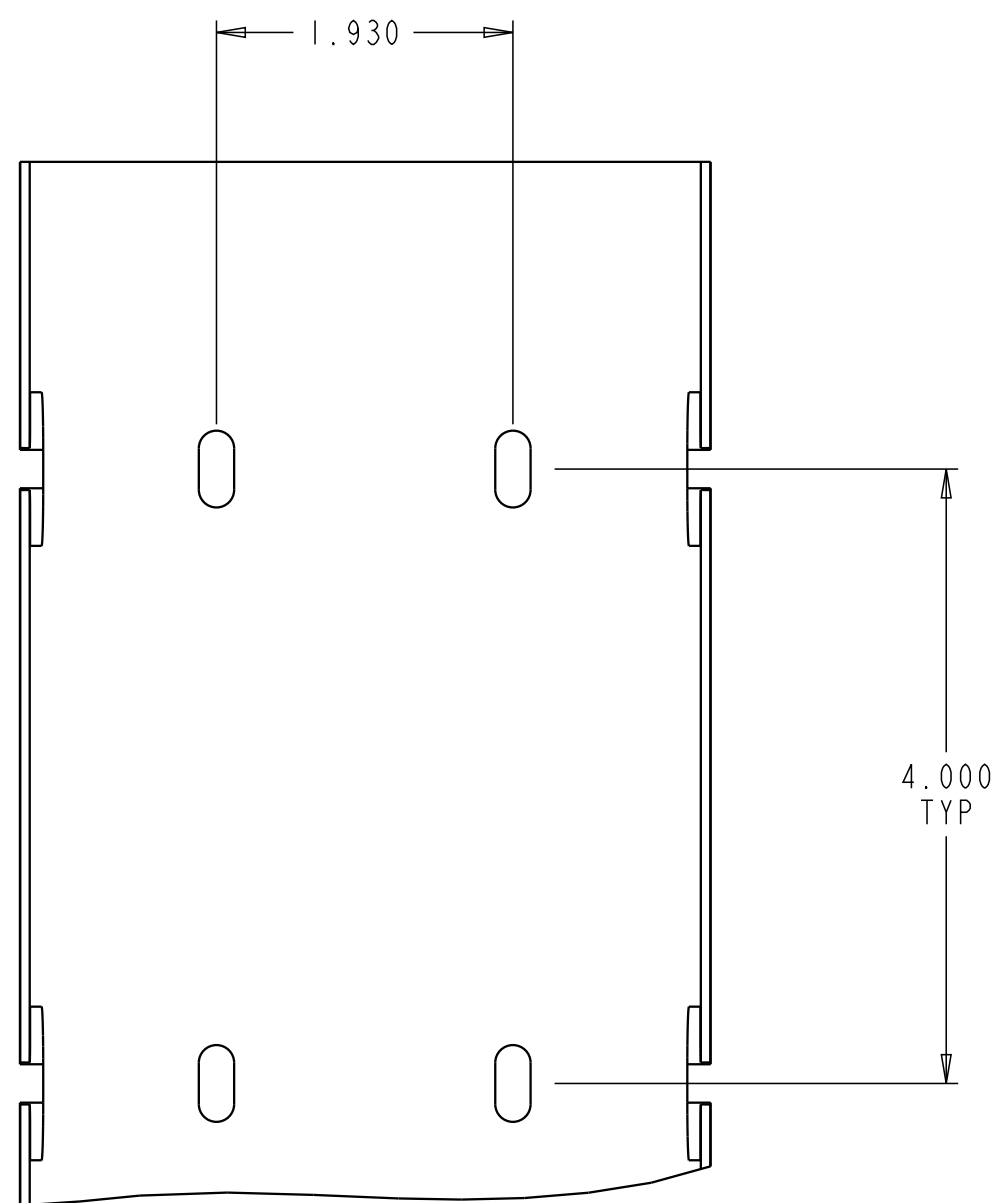
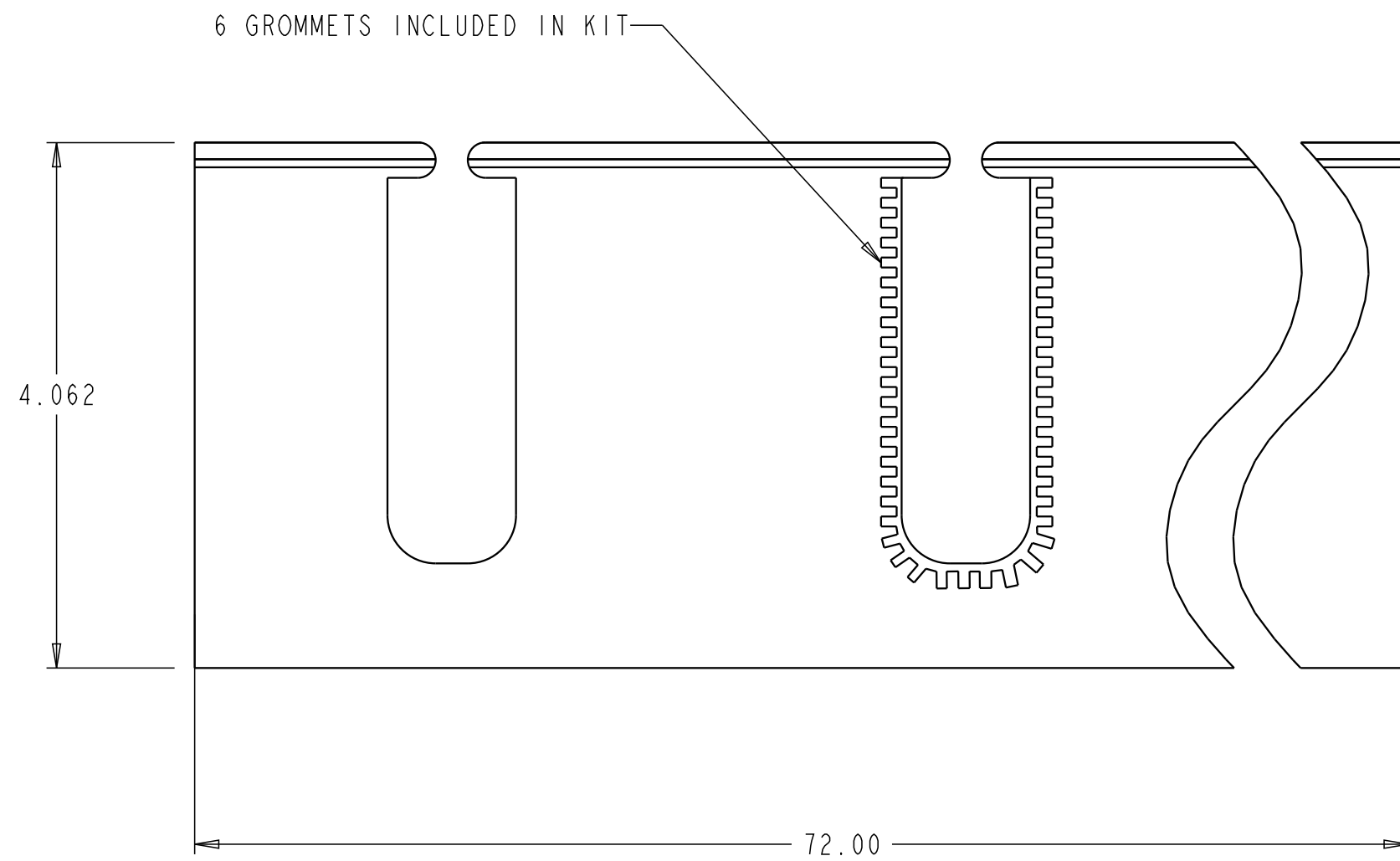
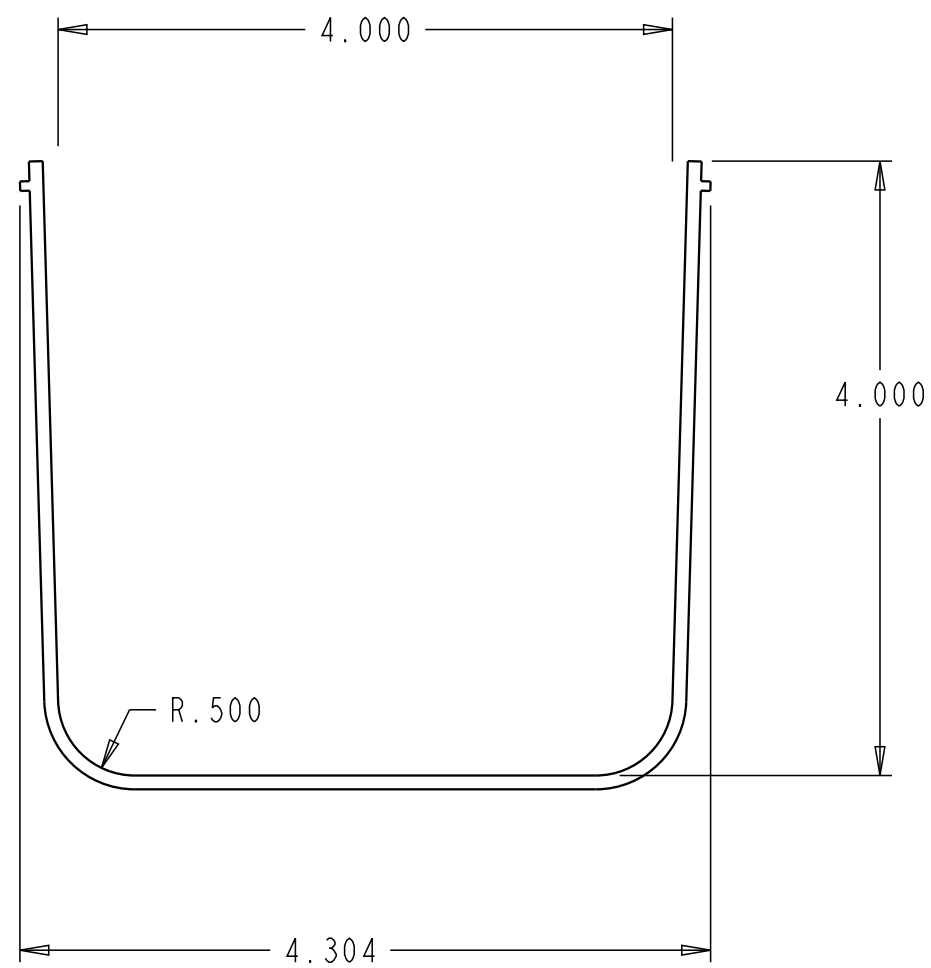


REV	MCO	DWN	DATE
B	20240485	OCM	21-MAY-08
C	40032067MCO	OAVL	11-JUL-16



**NOTES:**

- MATERIAL IS SELF EXTINGUISHING WITH A UL-94 RATING OF V-0.

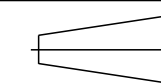
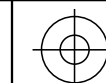
COMMSCOPE, INC.

© 2016 COMMSCOPE, INC. CONFIDENTIAL  
 NOTICE: THESE DRAWINGS AND SPECIFICATIONS ARE THE PROPRIETARY PROPERTY OF COMMSCOPE, INC. AND MAY BE USED ONLY FOR THE SPECIFIC PURPOSE AUTHORIZED IN WRITING BY COMMSCOPE, INC.  
 ALL DIMS AND TOLERANCES .XX:±N/A  
 ARE INCHES UNLESS .XXX:±N/A  
 OTHERWISE SPECIFIED ANGULAR:±N/A

DO NOT SCALE DRAWING

ENGR: T. DUNCAN  
 DWN: J. MARQUEZ

FGSB-MSHS-D	BLACK
FGS-MSHS-D	YELLOW
<b>CATALOG NUMBER</b>	<b>COLOR</b>
TITLE	FIBERGUIDE 4X4 VERT. EXTRUSION INSTALLATION DRAWING
DRAWING NUMBER	4-29000-2578
C SIZE	C REV
SHT. 1 OF 1	



**DIMENSIONS IN INCHES  
 THIRD ANGLE PROJECTION**