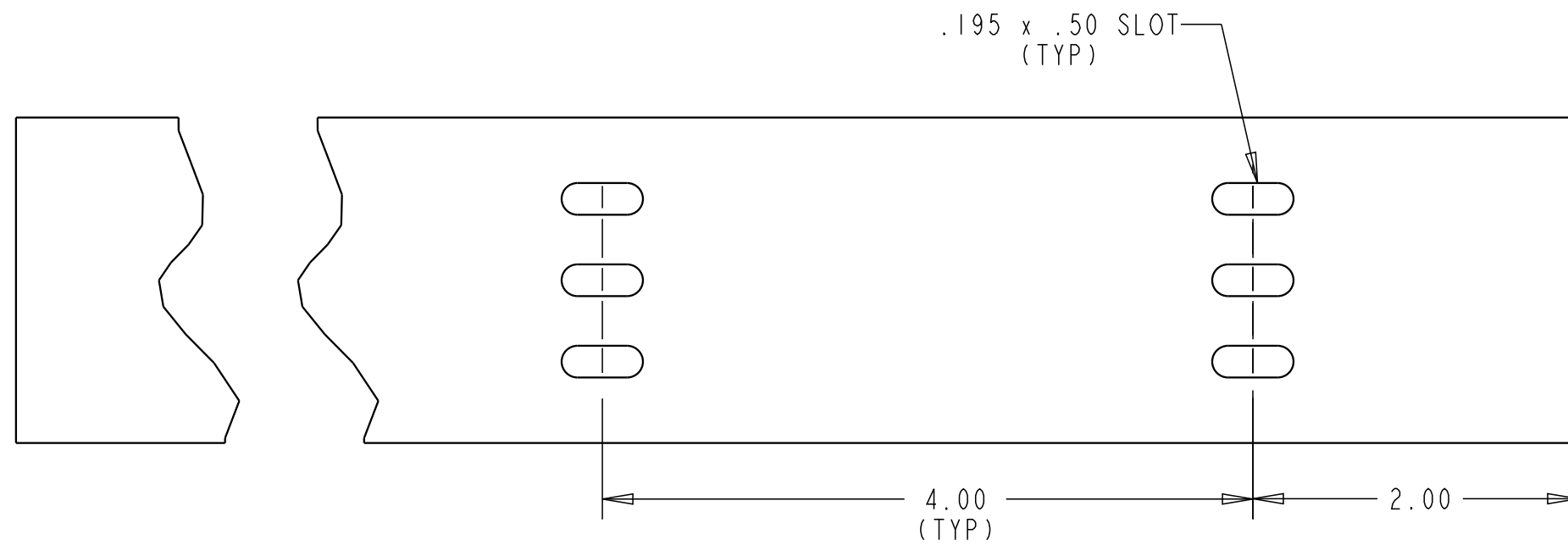
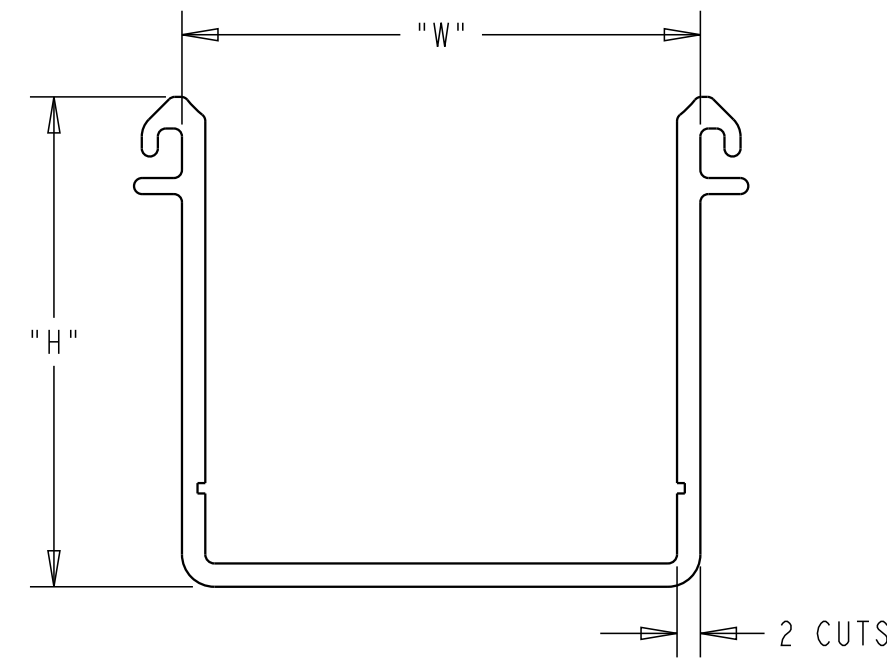
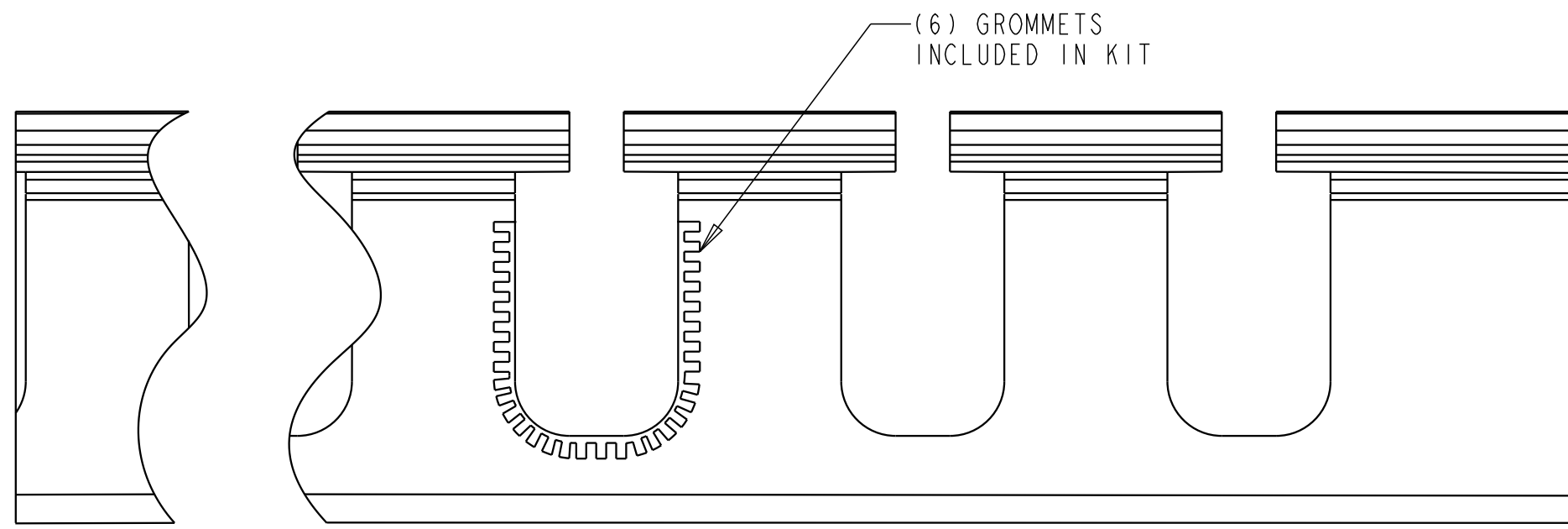


REV	MCO	DWN	DATE
B	20296097	EEG	03-NOV-10
C	40031893MCO	OAVL	01-JUL-16



FGSB-MSHS-KT	4.090	4.180	BLACK	2.0"
FGSB-MSHS-KS	4.090	4.180	BLACK	NONE
FGSB-MSHS-K	4.090	2.000	BLACK	2.0"
FGSB-MSHS-KF	4.090	4.180	BLACK	4.0"
FGSB-MSHS-KN	4.090	2.000	BLACK	NONE
FGSB-MSHS-CB	1.890	2.000	BLACK	1.5"
FGS-MSHS-KS	4.090	4.180	YELLOW	NONE
FGS-MSHS-KF	4.090	4.180	YELLOW	4.0"
FGS-MSHS-KT	4.090	4.180	YELLOW	2.0"
FGS-MSHS-KN	4.090	2.000	YELLOW	NONE
FGS-MSHS-K	4.090	2.000	YELLOW	2.0"
FGS-MSHS-CB	1.890	2.000	YELLOW	1.5"
ADC CATALOG NUMBER	DIM "H"	DIM "W"	COLOR	SLOT SPACING

NOTES:

- MATERIAL IS SELF EXTINGUISHING WITH A UL-94 RATING OF V-0.

COMMSCOPE, INC.

© 2016 COMMSCOPE, INC. CONFIDENTIAL NOTICE: THESE DRAWINGS AND SPECIFICATIONS ARE THE PROPRIETARY PROPERTY OF COMMSCOPE, INC. AND MAY BE USED ONLY FOR THE SPECIFIC PURPOSE AUTHORIZED IN WRITING BY COMMSCOPE, INC.		TITLE FIBERGUIDE VERT EXTRUSION, INSTL DWG	
ALL DIMS AND TOLERANCES ARE INCHES UNLESS OTHERWISE SPECIFIED	.XX:±N/A .XXX:±N/A ANGULAR:±N/A	C SIZE	DRAWING NUMBER 1675800_ADC
DO NOT SCALE DRAWING	ENGR: JESUS BARRAZA DWN: DANIEL E. HERRERA	SHT. 1 OF 1	



**DIMENSIONS IN INCHES
THIRD ANGLE PROJECTION**