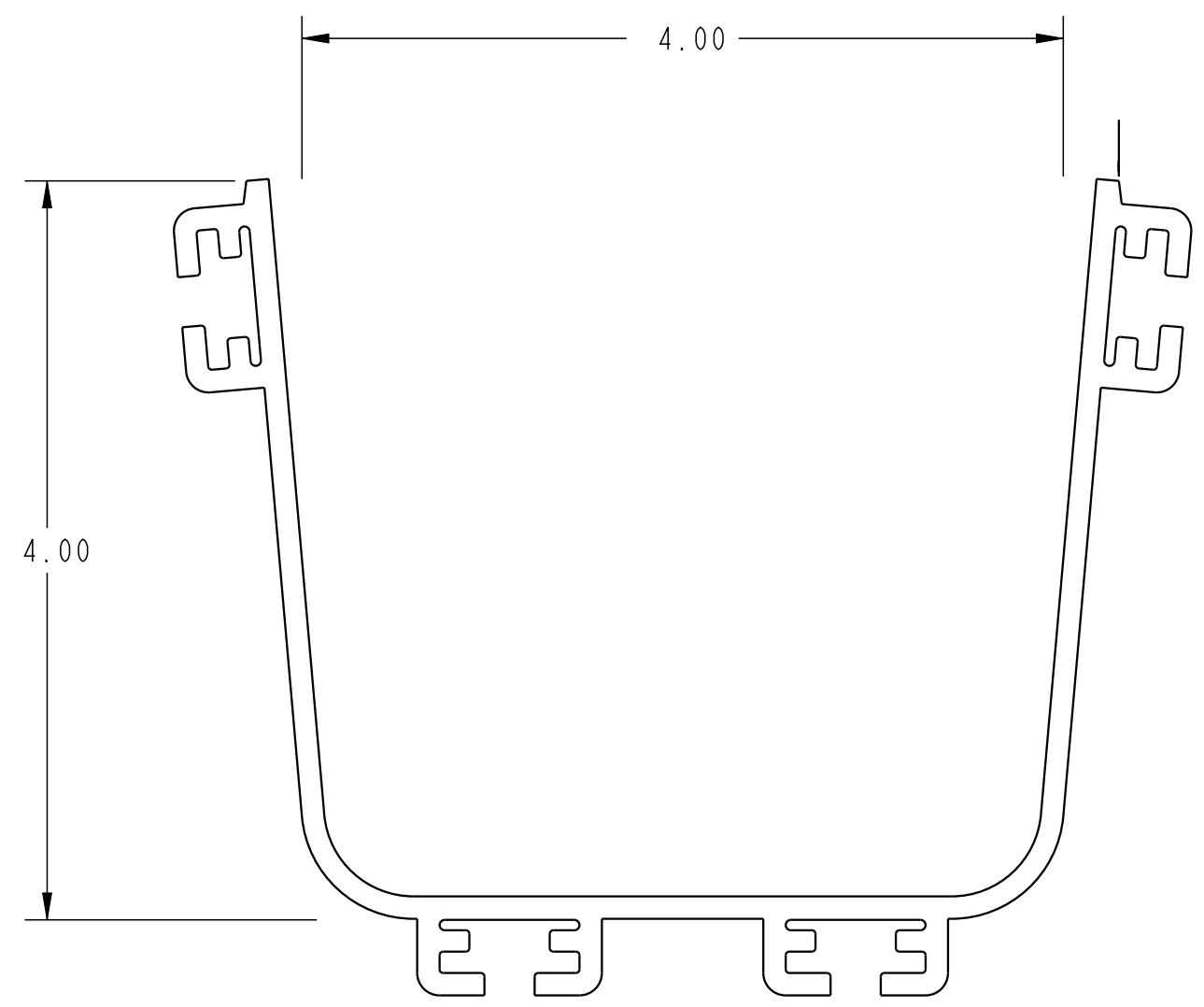
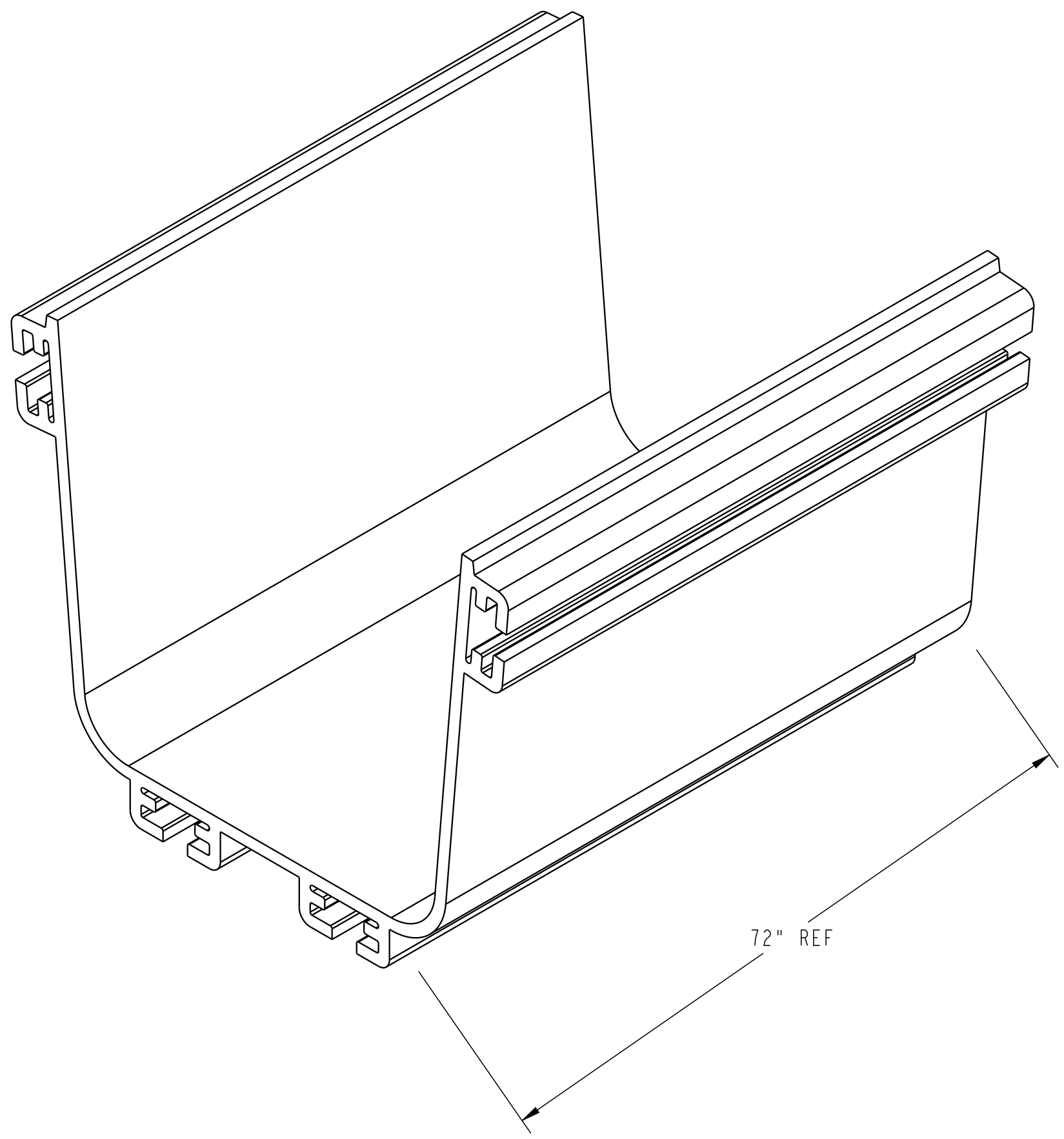


| REV | MCO | DWN | DATE |
|-----|------------|------|-----------|
| A | 8000019899 | LASR | 16-MAR-17 |



NOTES:

- MATERIAL IS SELF EXTINGUISHING WITH A UL 94 RATING OF V-0.

COMMSCOPE, INC.

© 2016 COMMSCOPE, INC. CONFIDENTIAL
 NOTICE: THESE DRAWINGS AND SPECIFICATIONS ARE THE PROPRIETARY PROPERTY OF COMMSCOPE, INC. AND MAY BE USED ONLY FOR THE SPECIFIC PURPOSE AUTHORIZED IN WRITING BY COMMSCOPE, INC.

ALL DIMS AND TOLERANCES ARE INCHES UNLESS OTHERWISE SPECIFIED
 .XX:±N/A
 .XXX:±N/A
 ANGULAR:±N/A

DO NOT SCALE DRAWING

TITLE
**FIBERGUIDES,
 EXTRUSION 4 X 4 TROUGH**

| | |
|----------------|-----|
| DRAWING NUMBER | A |
| AI7005054 | REV |

ENGR: RUBEN ARVILLA
 DWN: ASAHEL SALCEDO

SHT. 1 OF 1



**DIMENSIONS IN INCHES
 THIRD ANGLE PROJECTION**