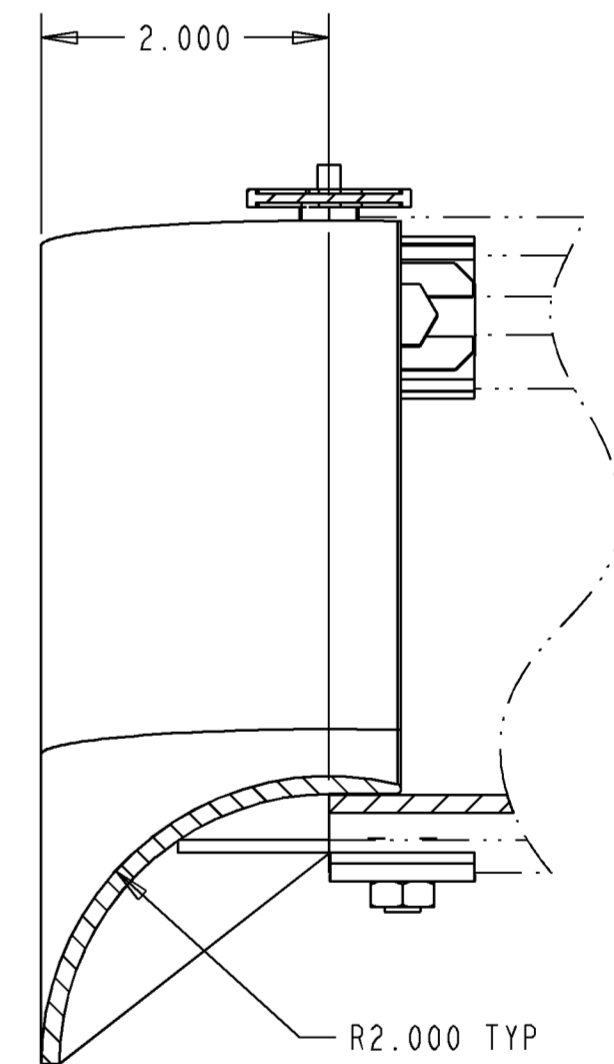
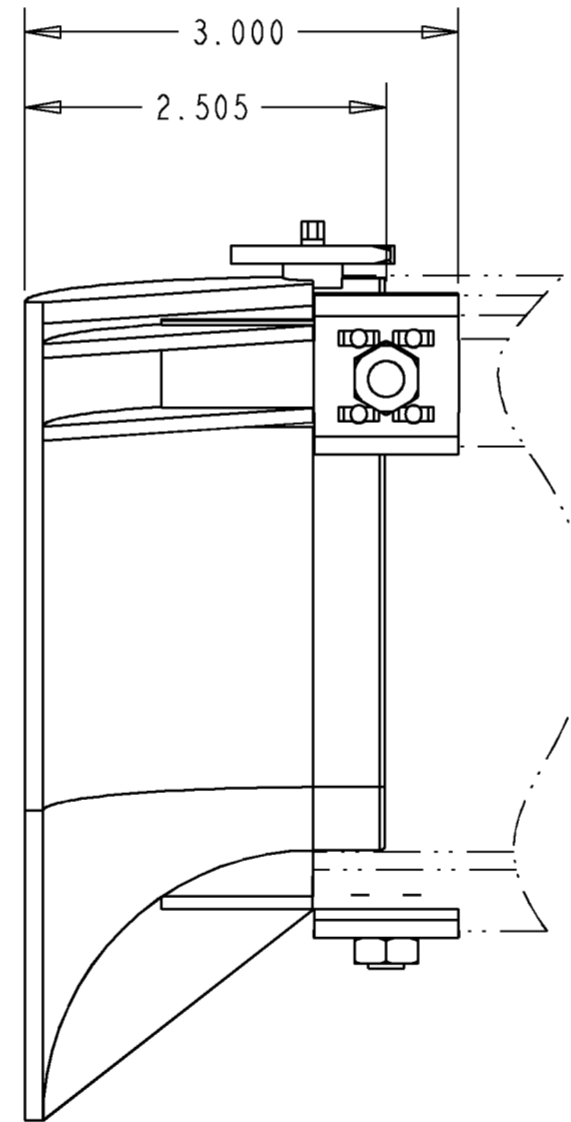
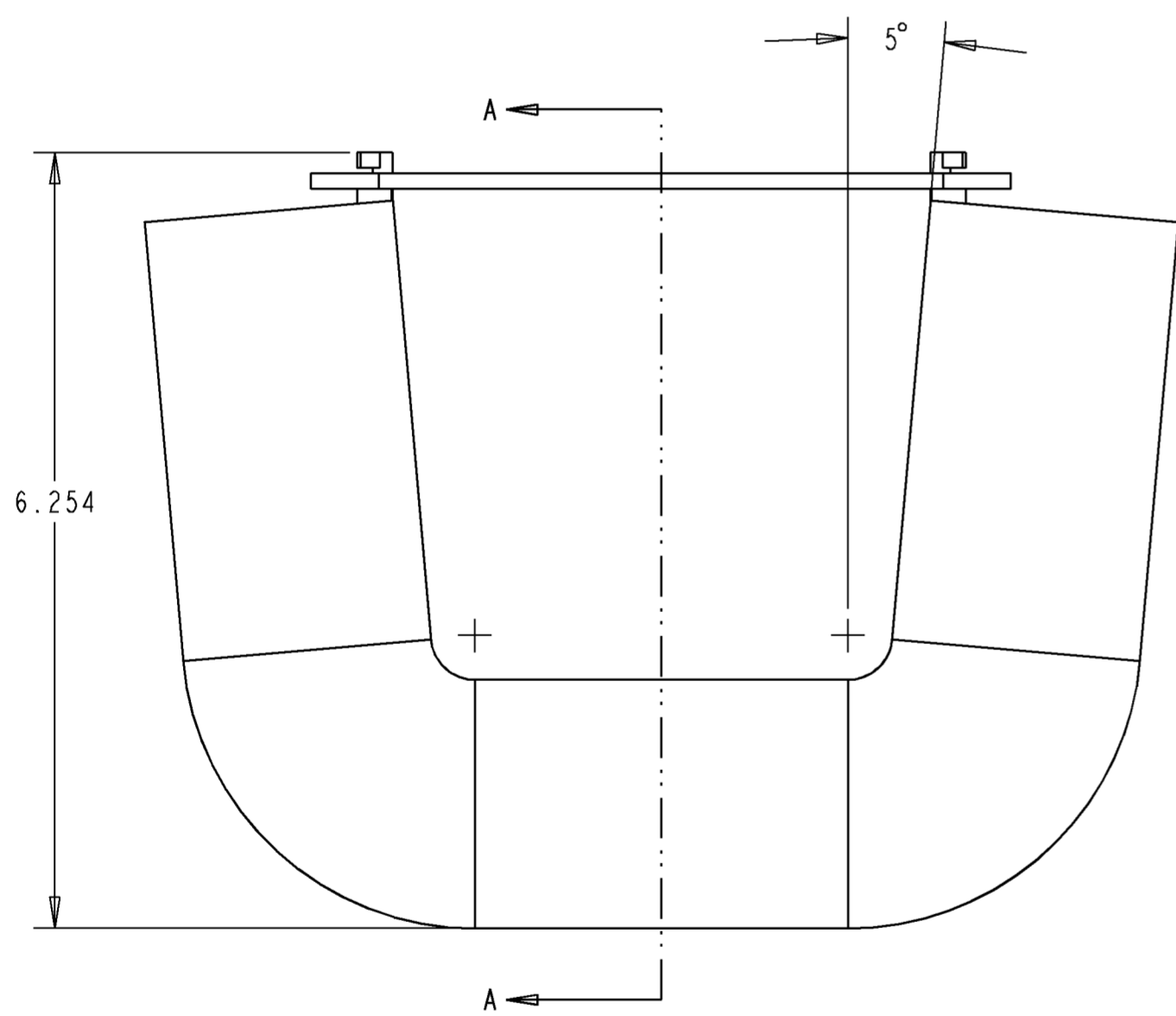
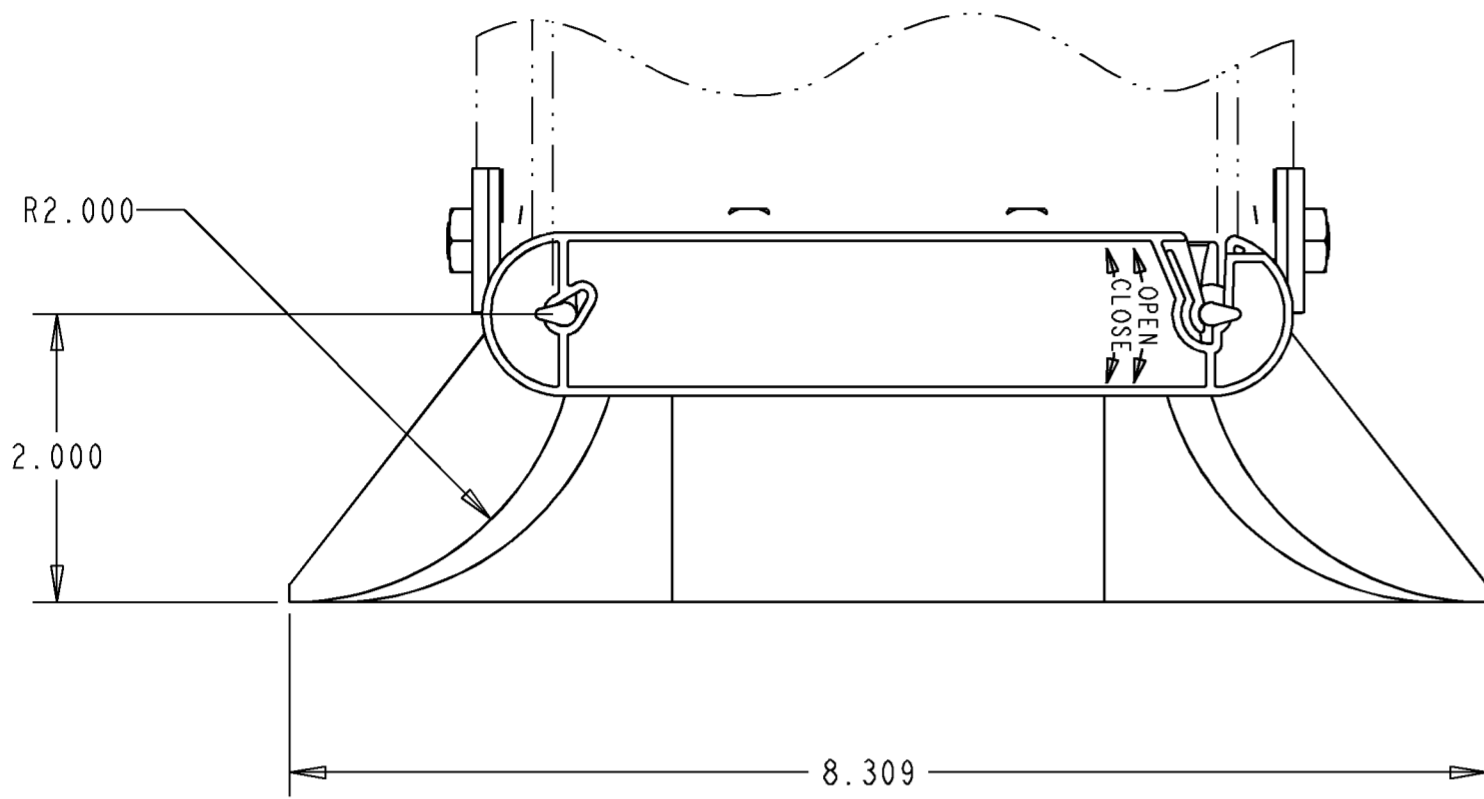


REV	MCO	DWN	DATE
E	20236325	RRC	24-MAR-08
F	20273560	RRC	03-FEB-10



SECTION A-A
SCALE 0.750

FGSB-MTRM-A	BLACK
FGSS-MTRM-A	SMOKE
FGSP-MTRM-A	PUTTY
FGSO-MTRM-A	ORANGE
FGS-MTRM-A	YELLOW
CATALOG NO.	COLOR

NOTES:

- MATERIAL IS SELF EXTINGUISHING WITH A UL 94 RATING OF V-0.



INFORMATION ON THIS DOCUMENT IS PROPRIETARY TO ADC AND SHALL NOT BE USED, COPIED, REPRODUCED OR DISCLOSED IN WHOLE OR IN PART WITHOUT WRITTEN CONSENT OF ADC.

ALL DIMS AND TOLERANCES ARE INCHES UNLESS OTHERWISE SPECIFIED

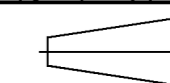
DO NOT SCALE DRAWING

TITLE
FIBERGUIDES TRUMPET KIT
(INSTALLATION DRAWING)

DRAWING NUMBER
4-29000-2478

SHT. 1 OF 2

ENGR: R. HENNEBERGER
DWN: J. KIRKWOOD



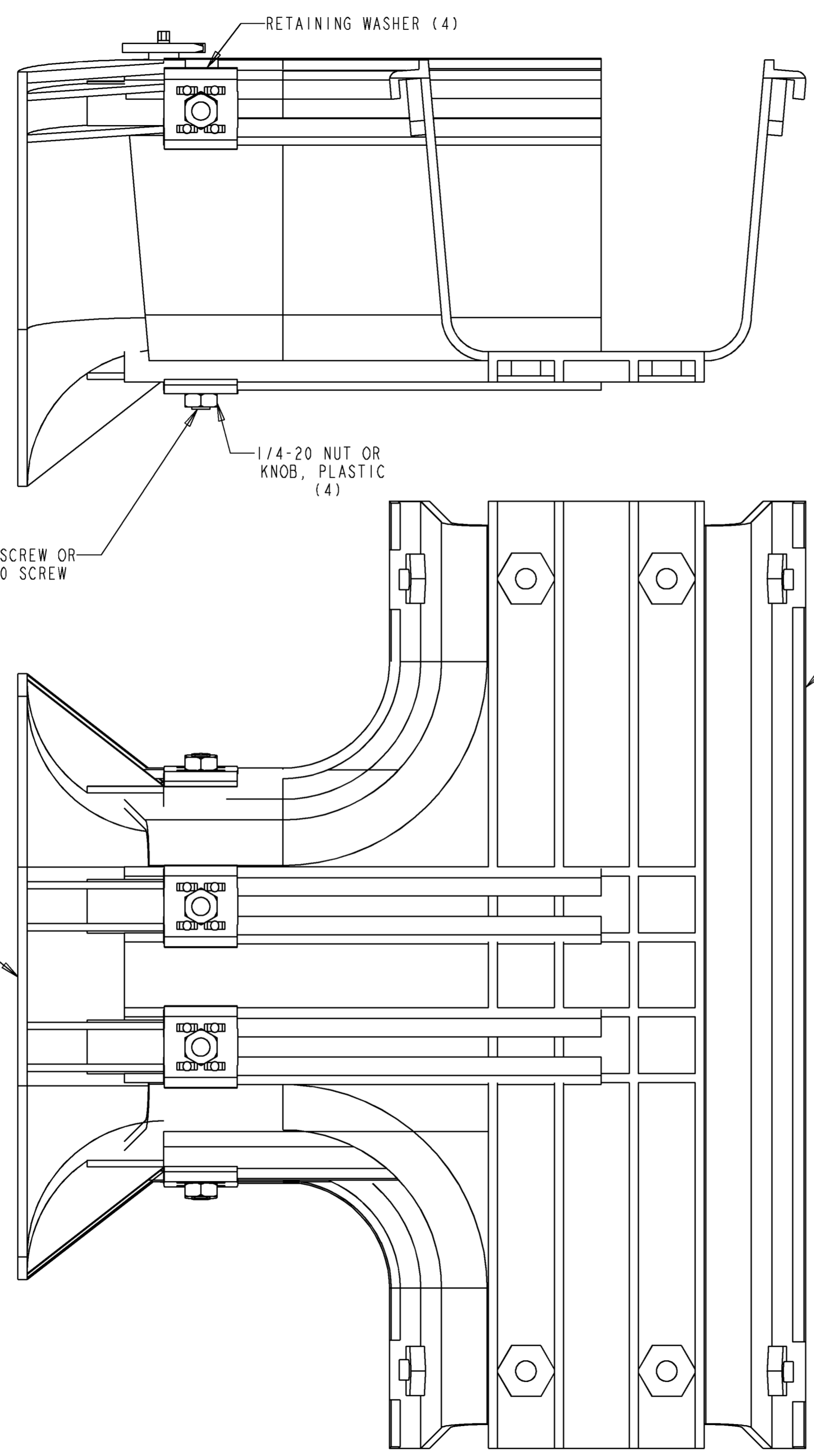
DIMENSIONS IN INCHES
THIRD ANGLE PROJECTION

A

B

C

D



1/4-20 X .500 SCREW OR
1/4-20 X .750 SCREW
(4)

1/4-20 NUT OR
KNOB, PLASTIC
(4)

4"X4" FITTING REF
(4"X4" TEE SHOWN FOR REFERENCE)

4"X4" TRUMPET FLARE

ASSEMBLY INSTRUCTIONS:

1. INSERT (4) 1/4-20 X .500 SCREWS OR 1/4-20 X .750 SCREW INTO THE (4) SOCKETS IN THE EXIT OF THE FITTING, AS SEEN IN DETAIL A.
2. LOCATE TRUMPET FLARE ONTO EXIT OF FITTING, OVER THE SCREWS INSERTED IN NOTE 1. ASSEMBLE (4) RETAINING WASHERS AND (4) 1/4-20 NUTS OR KNOB, PLASTIC ONTO THE (4) 1/4-20 SCREWS FROM NOTE 1, AS SHOWN. TIGHTEN SCREWS COMPLETELY.



INFORMATION ON THIS DOCUMENT IS PROPRIETARY TO ADC AND SHALL NOT BE USED, COPIED, REPRODUCED OR DISCLOSED IN WHOLE OR IN PART WITHOUT WRITTEN CONSENT OF ADC.		TITLE FIBERGUIDES TRUMPET KIT (INSTALLATION DRAWING)	
ALL DIMS AND TOLERANCES ARE INCHES UNLESS OTHERWISE SPECIFIED	.XX:±N/A .XXX:±N/A ANGULAR:±N/A	C SIZE	DRAWING NUMBER 4-29000-2478
DO NOT SCALE DRAWING	ENGR: R. HENNEBERGER DWN: J. KIRKWOOD	SHT. 2 OF 2	

DIMENSIONS IN INCHES
THIRD ANGLE PROJECTION

A

B

C

1

2

3

4

1

2

3

4