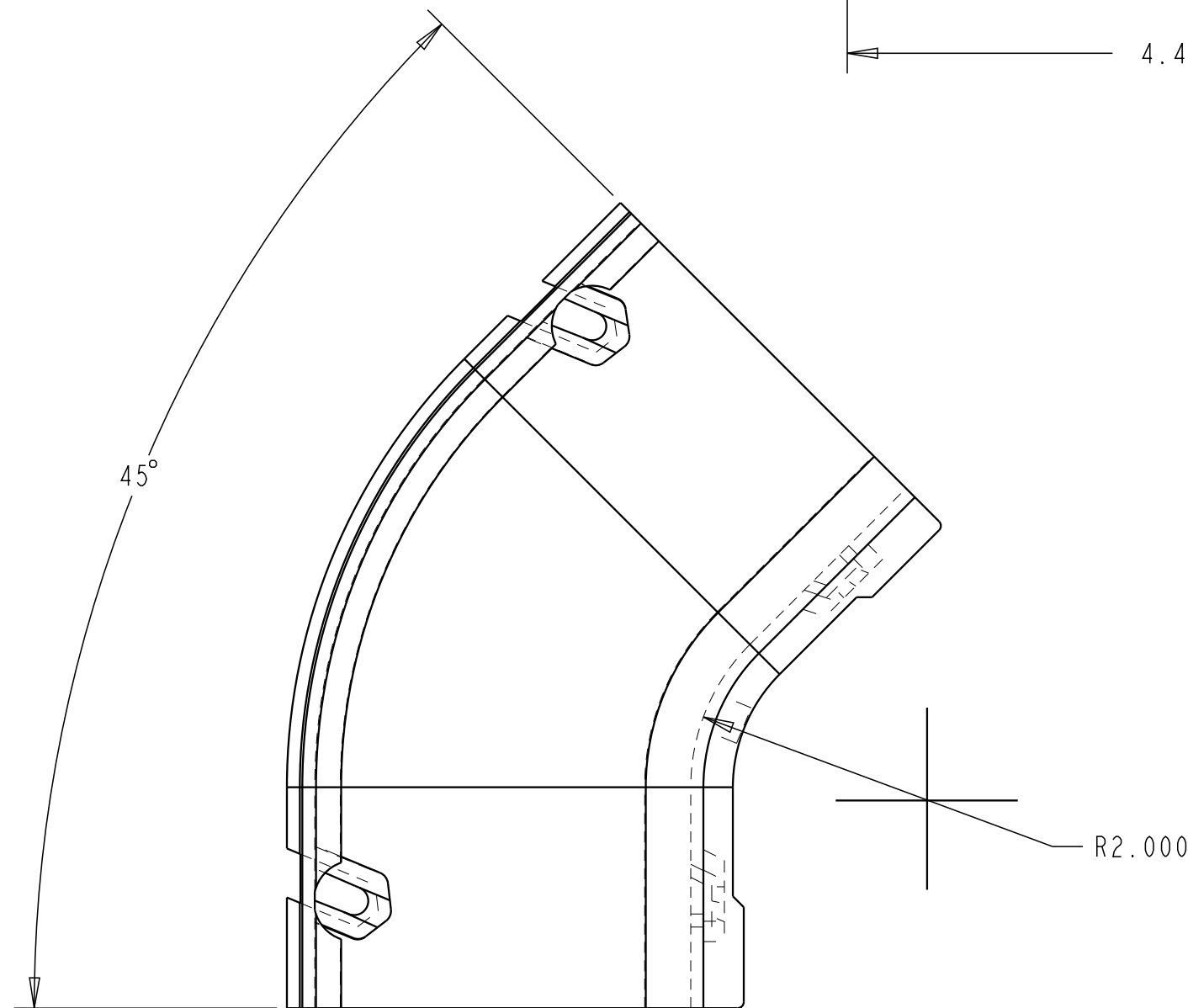
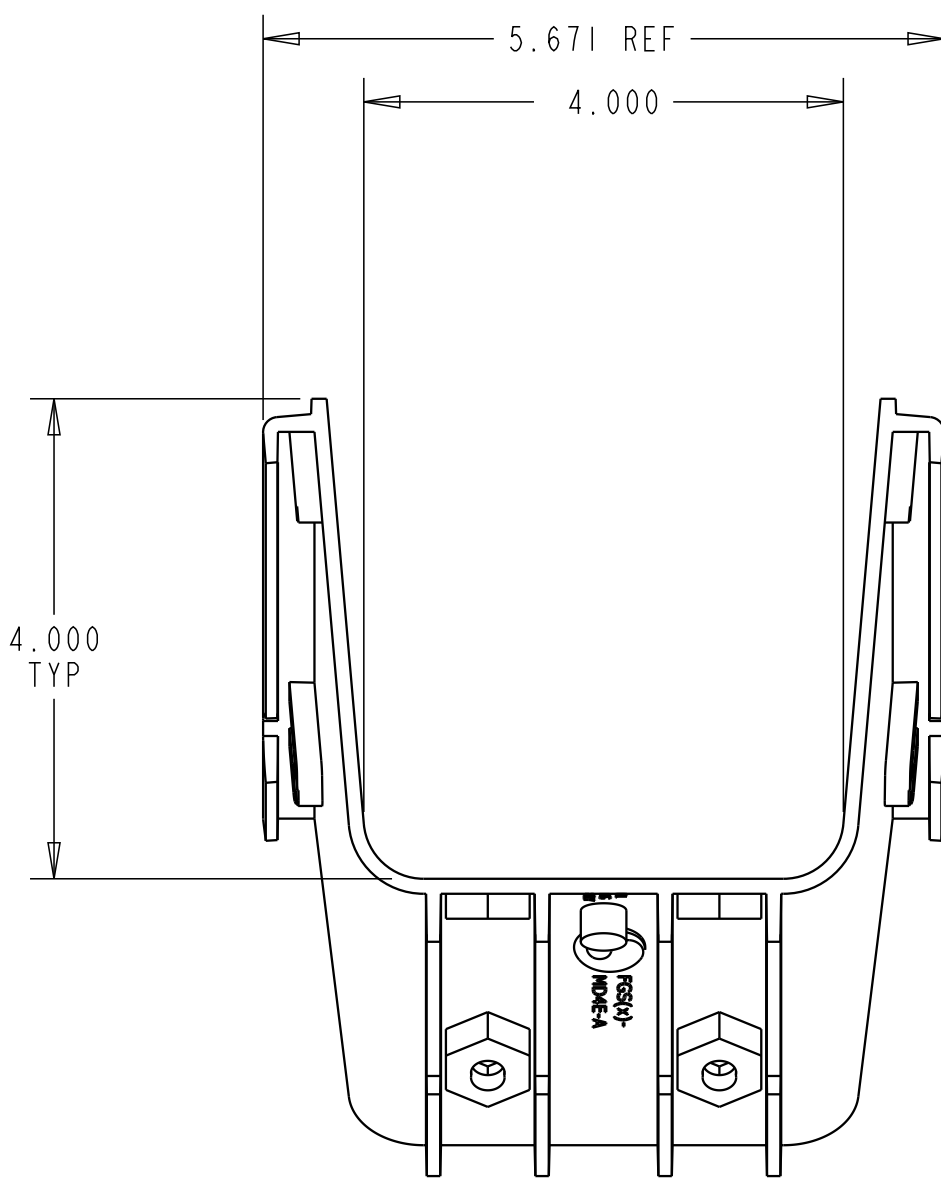
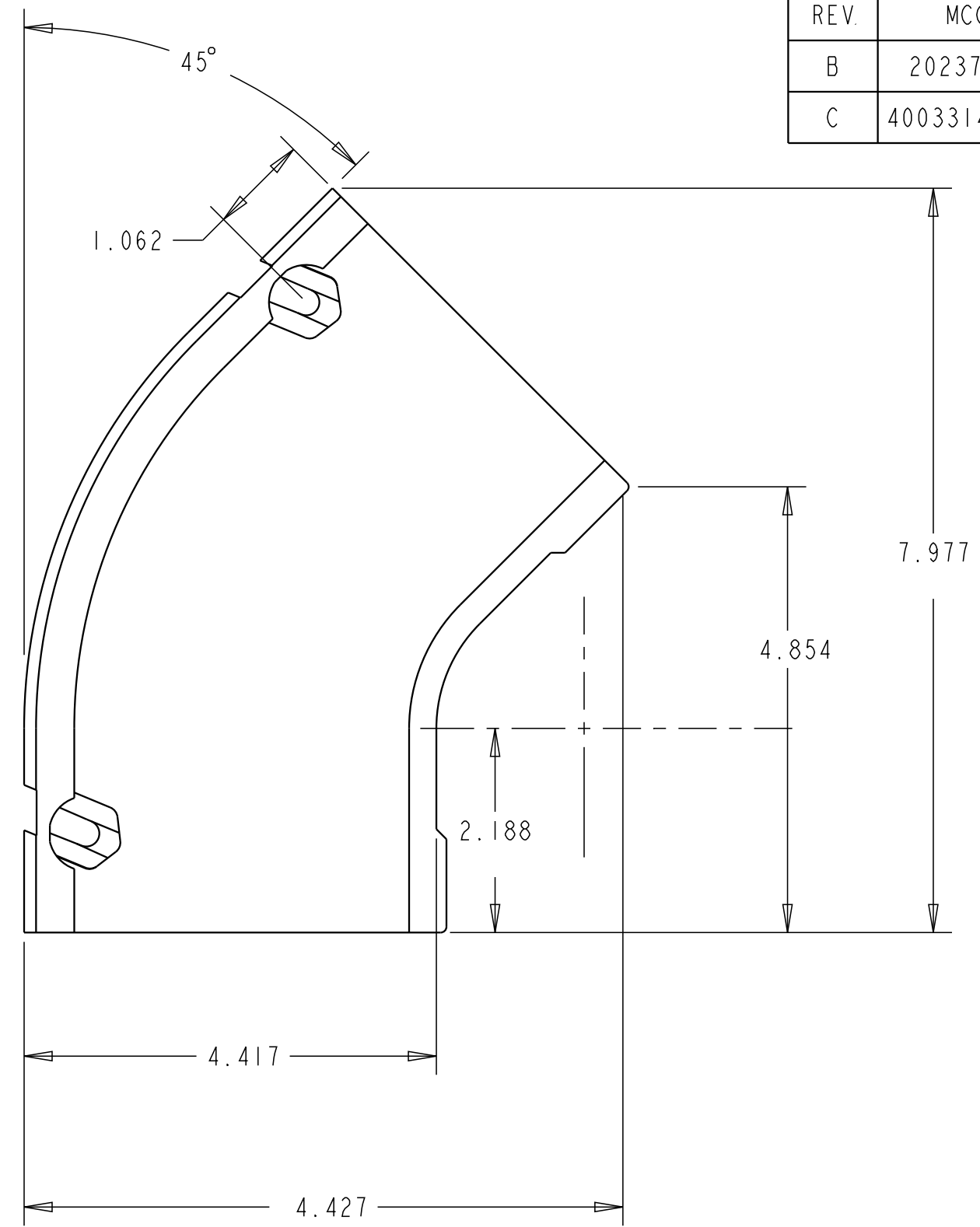
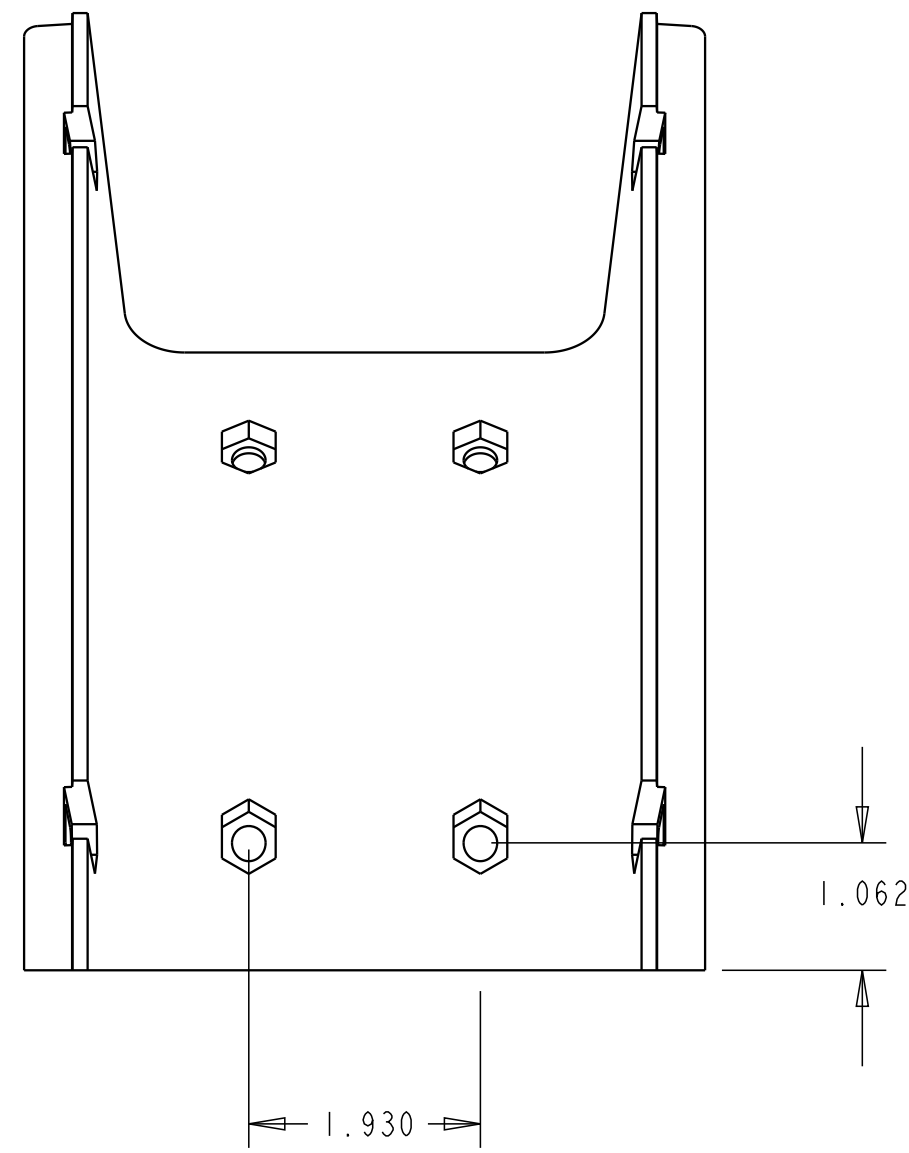


REV.	MCO	DWN	DATE
B	20237120	AED	04-APR-08
C	40033141MCO	VFV	05-SEP-16



**NOTES:**

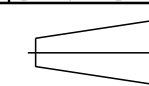
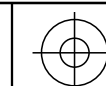
- MATERIAL IS SELF EXTINGUISHG WITH A UL 94 RATING OF V-O.

FGSP-MD4E-A	BLACK
FGSO-MD4E-A	YELLOW
CATALOG NO.	COLOR

SECTION A-A

COMMSCOPE, INC.

© 2016 COMMSCOPE, INC. CONFIDENTIAL NOTICE: THESE DRAWINGS AND SPECIFICATIONS ARE THE PROPRIETARY PROPERTY OF COMMSCOPE, INC. AND MAY BE USED ONLY FOR THE SPECIFIC PURPOSE AUTHORIZED IN WRITING BY COMMSCOPE, INC.		TITLE ELBOW, 45° DOWN, 4X4, FGS	
ALL DIMS AND TOLERANCES ARE INCHES UNLESS OTHERWISE SPECIFIED	.XX:±.03 .XXX:±.020 ANGULAR:±1°	C SIZE	DRAWING NUMBER 4-29000-0528
DO NOT SCALE DRAWING	ENGR: MATT FERRIS DWN: DAN HECKSEL	SHT. 1 OF 1	



**DIMENSIONS IN INCHES  
THIRD ANGLE PROJECTION**