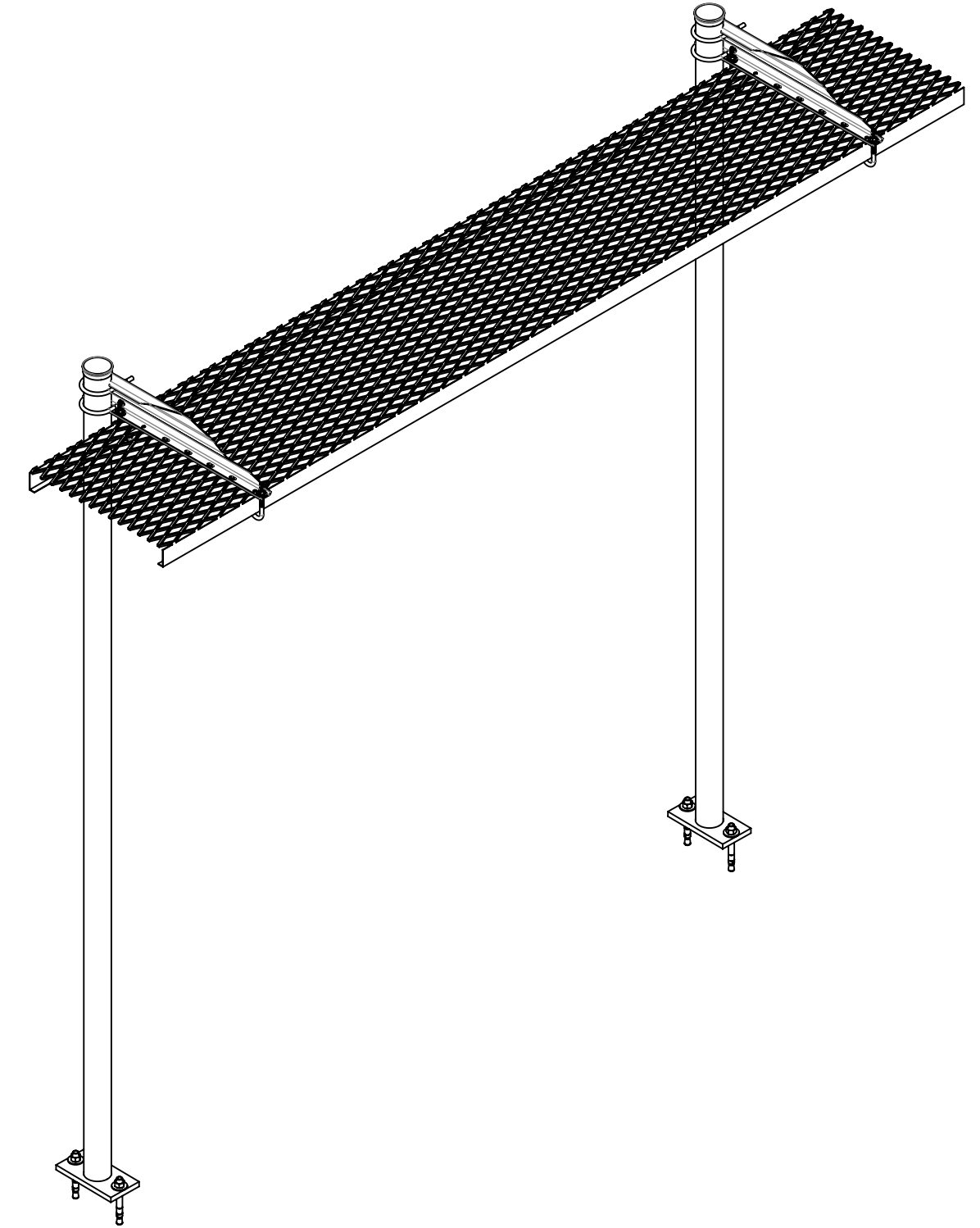
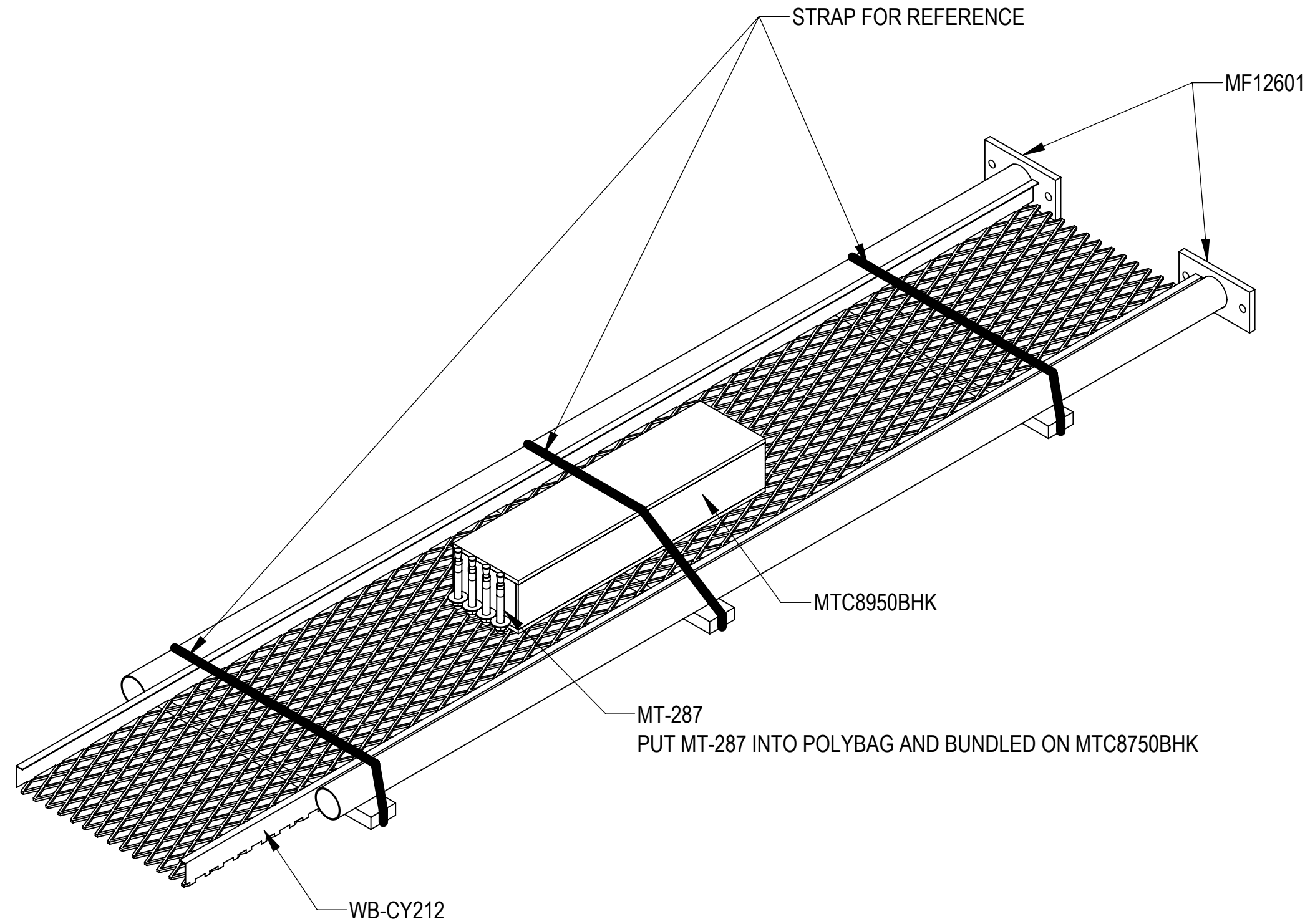


- 1.0 GENERAL NOTES
 - 1.1 ALL METRIC DIMENSIONS ARE IN BRACKETS [X.X]
 - 1.2 FOR PATENT INFO: <https://www.cs-pat.com>
- 2.0 DESIGN NOTES
- 3.0 MANUFACTURING/SPECIAL REQUIREMENTS
 - 3.1 TIGHTEN ALL BOLTS SECURING FLAT PLATES BY THE TURN-OF-NUT METHOD. TIGHTEN ALL U-BOLTS USING TURN-OF-NUT METHOD WITH ATTENTION TO LEAVE EQUAL DISTANCE AND EQUAL FORCE ON EACH LEG OF THE U-BOLT.
- 4.0 TEST
- 5.0 PACKAGING
 - 5.1 PACKAGING SHALL MEET COMMSCOPE REQUIREMENTS PER DOCUMENT IS-PL-3005
 - 5.2 PRINTED DOCUMENT TO BE PLACED INSIDE POLYBAG AND THEN IN SHIPPING CONTAINER
 - 5.3 EXTRA HARDWARE MAY BE SUPPLIED BAGGED AND SHIPPED

REVISIONS			
REV.	DESCRIPTION	DATE	APPROVED
A	INITIAL RELEASE	RY1002 01DEC23	YZ1080 40184296CMO



COMMSCOPE, INC. OF NORTH CAROLINA										
TOLERANCES					SAP MATERIAL MASTER					
1 PLACE .X[X] ± 0.2[6.3]			3 PLACE .XXX[X] ± 0.060[1.5]			WB-K212-S-NT				
2 PLACE .XX[X] ± 0.12[3.0]			ANGLES ± 2°							
FINISH					MATERIAL					
UNLESS OTHERWISE SPECIFIED DIMENSIONS ARE IN INCHES INTERPRET PER ANSI Y 14.5M-1994		NAME	DATE	ICE-BRIDGE, 24"Wx12'L, BASE-SHOE, NO-TRAP						
	CE	RY1002	01DEC23							
	RW	RY1002	12/21/2023							
	AD	YW1045	01/02/2024							
	RE	YMENG	01/02/2024							
ECN 40184296CMO				SCALE	DOCUMENT NO.					
				1:12	WB-K212-S-NT					
SIZE		Auth Group	INSL	MODEL			DRAWING			SHEET 1 OF 2
C				VERSION	STATUS	REVISION	VERSION	STATUS	REVISION	
				00	RE	A	00	RE	A	

DENSITY		lbs/in ³
MASS	229.55	lbs
VOLUME	808.07	in ³
SURFACE AREA	12903.23	in ²
HEIGHT	132.1"	
LENGTH	144.0"	
WIDTH	31.8"	

4

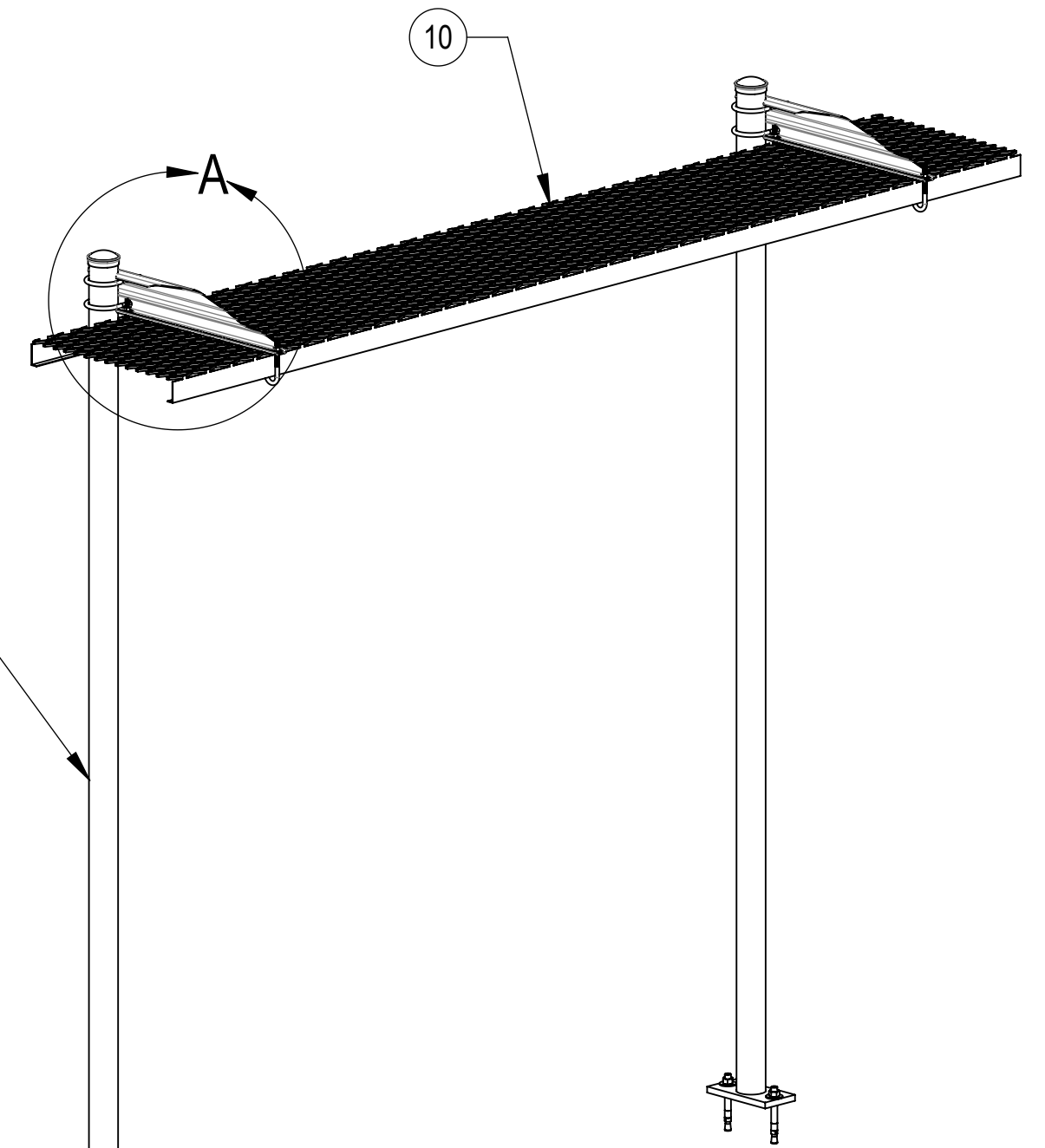
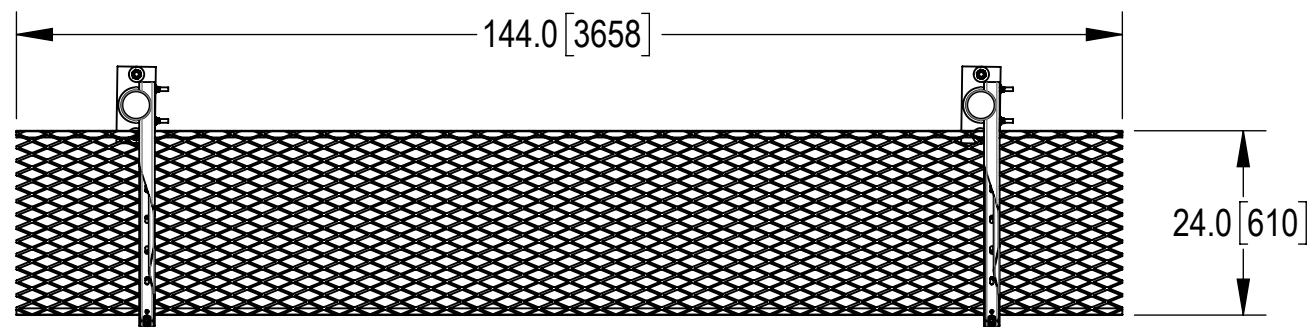
3

2

1

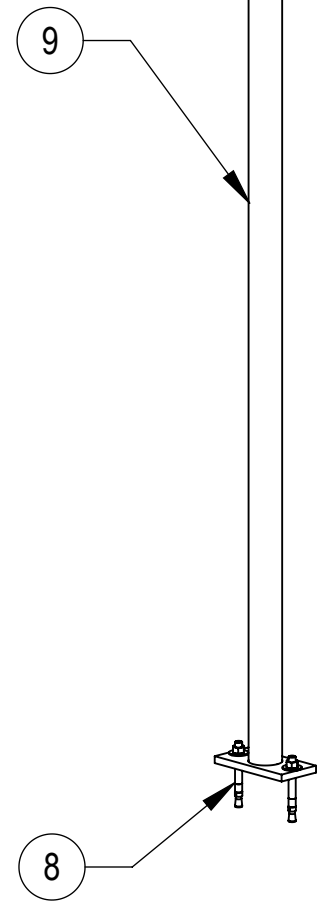
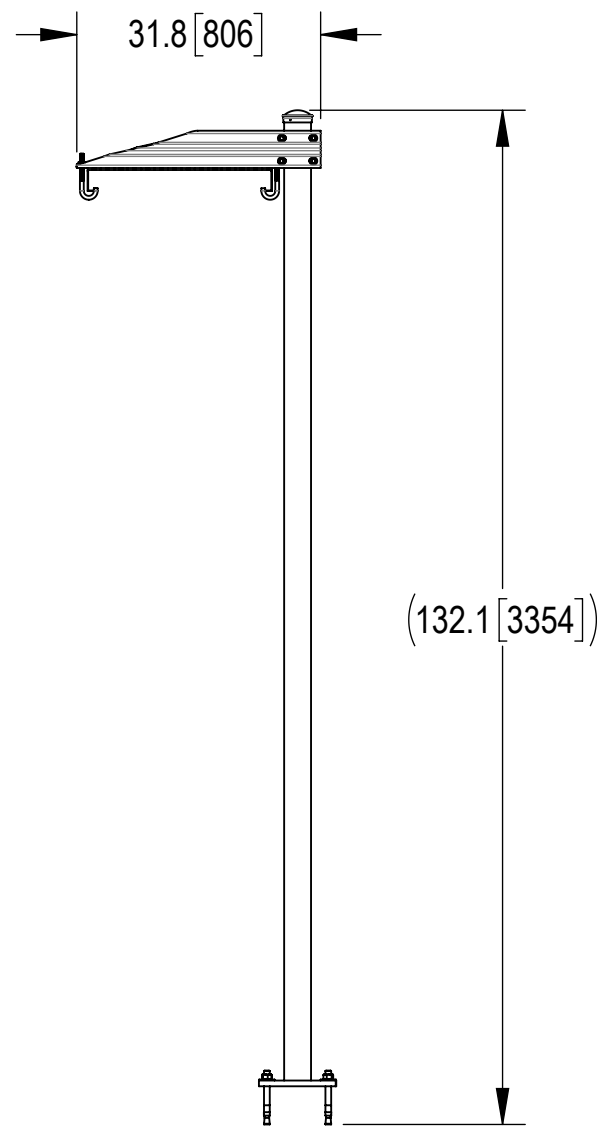
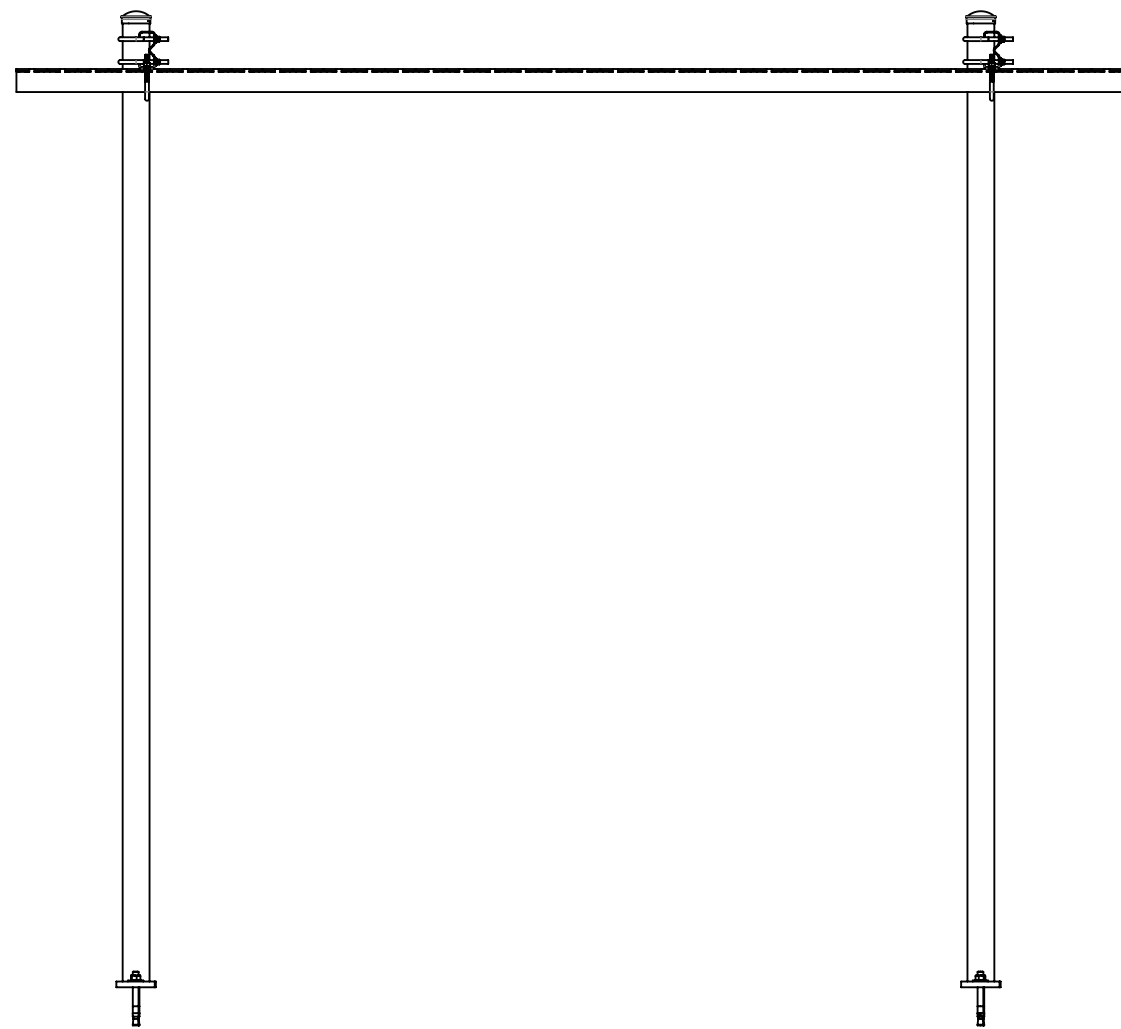
D

D



C

C

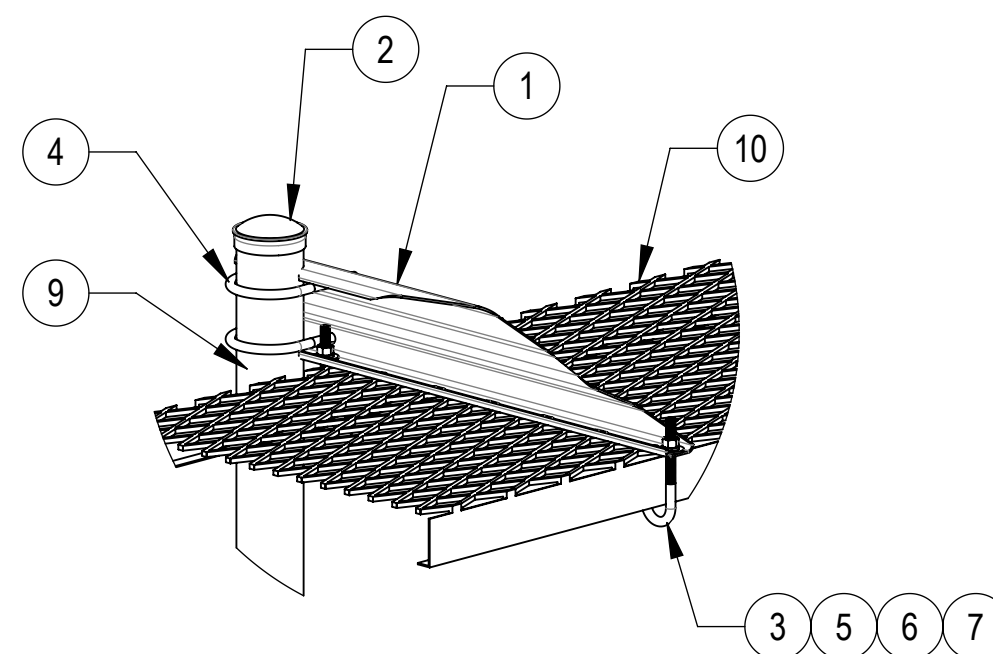


B

B

COMPONENT PART NUMBERS PROVIDED FOR ASSEMBLY PURPOSES;
INDIVIDUAL COMPONENTS MAY BE SHIPPED AS PARTS WITHIN AN INCLUDED KIT

ITEM	PART NO.	DESCRIPTION	QTY.	WEIGHT	NOTE NO.
1	WBLB24308	24" WAVEGUIDE BRIDGE SUPPORT BRACKET	2	7.14 LBS	
2	PC-034	PIPE CAP 3-1/2"	2	0.66 LBS	
3	WBJB6	1/2" J-BOLT	4	0.41 LBS	
4	GUB-4356	1/2" X 3-5/8" X 6" GALV U-BOLT	4	0.81 LBS	
5	GWF-04	1/2" GALV FLAT WASHER	4	0.04 LBS	
6	GWL-04	1/2" GALV LOCK WASHER	4	0.01 LBS	
7	GN-04	1/2" GALV HEX NUT	4	0.04 LBS	
8	MT-287	3/4" ANCHOR BOLT	4	1.08 LBS	
9	MF126.01	BASE SHOE	2	53.86 LBS	
10	WB-CY212	SAFETY GRATING, 24"X144"	1	96.36 LBS	



DETAIL A
SCALE 1 : 10

© 2023 CommScope, Inc. Confidential

COMMSCOPE, INC. OF NORTH CAROLINA

TITLE
ICE-BRIDGE, 24"Wx12"L, BASE-SHOE, NO-TRAP

SIZE C	SCALE 1:25	DOCUMENT NO. WB-K212-S-NT			
		DRAWING			SHEET 2 OF 2
		VERSION 00	STATUS RE	REVISION A	

4

3

2

1

A

A