

# FDF-FL2-WDM-MODULES

---

## Base Product



## FDF/FL2 WDM Fiber Optic Module

CommScope's Value-Added Module (VAM) system adds flexibility and functionality to the optical transport system by enabling service providers to easily incorporate optical components into the network. This versatile platform lays the foundation for the optical network of the future.

CommScope's VAM Modules feature:

- Enclosed Plug-in modules protect the optical components from physical and environmental damage
- Angled retainers maintain minimum bend radius of fiber patch cords
- Pluggable modules can be added or removed from the chassis without interfering with existing terminated patch cords
- Flexible platform: modules can be created for new applications quickly and easily to meet customer requirements
- Custom configurations are available upon request

The FDF VAM WDM system consists of a variety of optical component modules that fit into the FDF ODF VAM chassis.

WDM applications include:

- Wavelength Division Multiplexing Increase capacity without deploying additional fiber
- CWDM Applications Increase bandwidth by transmitting multiple wavelengths simultaneously
- DWDM Applications Further increase bandwidth and capacity using closely spaced wavelengths in the ITU grid

## Product Classification

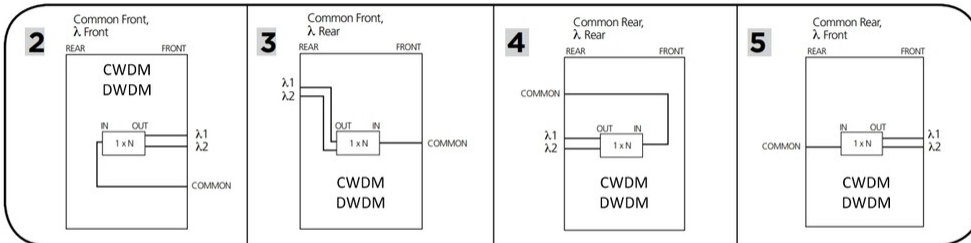
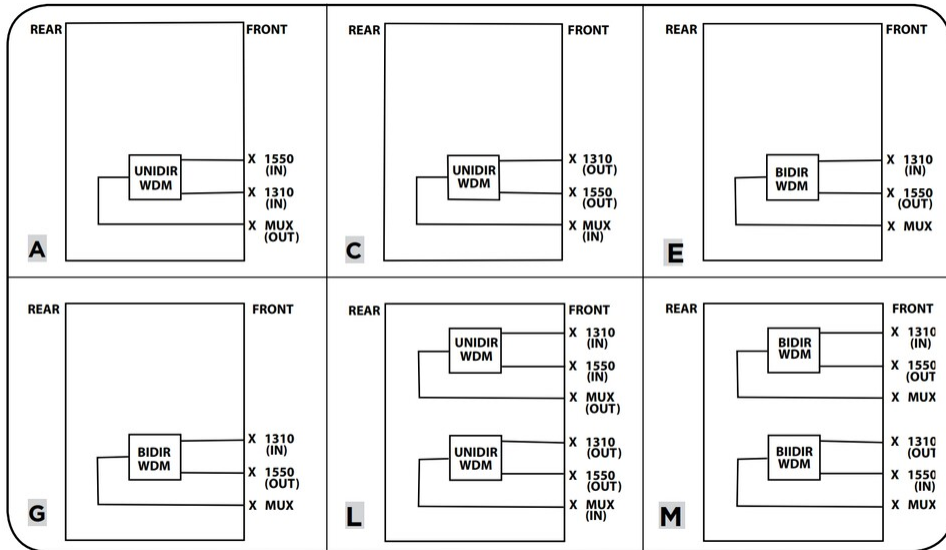
<b>Regional Availability</b>	Asia   Australia/New Zealand   EMEA   Latin America   North America
<b>Portfolio</b>	CommScope®
<b>Product Type</b>	CWDM module   DWDM module   WDM module
<b>Product Series</b>	FDF   FL2000

## General Specifications

<b>Functionality</b>	Demultiplexing   Multiplexing
<b>Application</b>	For use with FDF frames   For use with FL2 panels
<b>Interface, Input</b>	LC/APC   LC/UPC   SC/APC   SC/UPC
<b>Interface, Output</b>	LC/APC   LC/UPC   SC/APC   SC/UPC

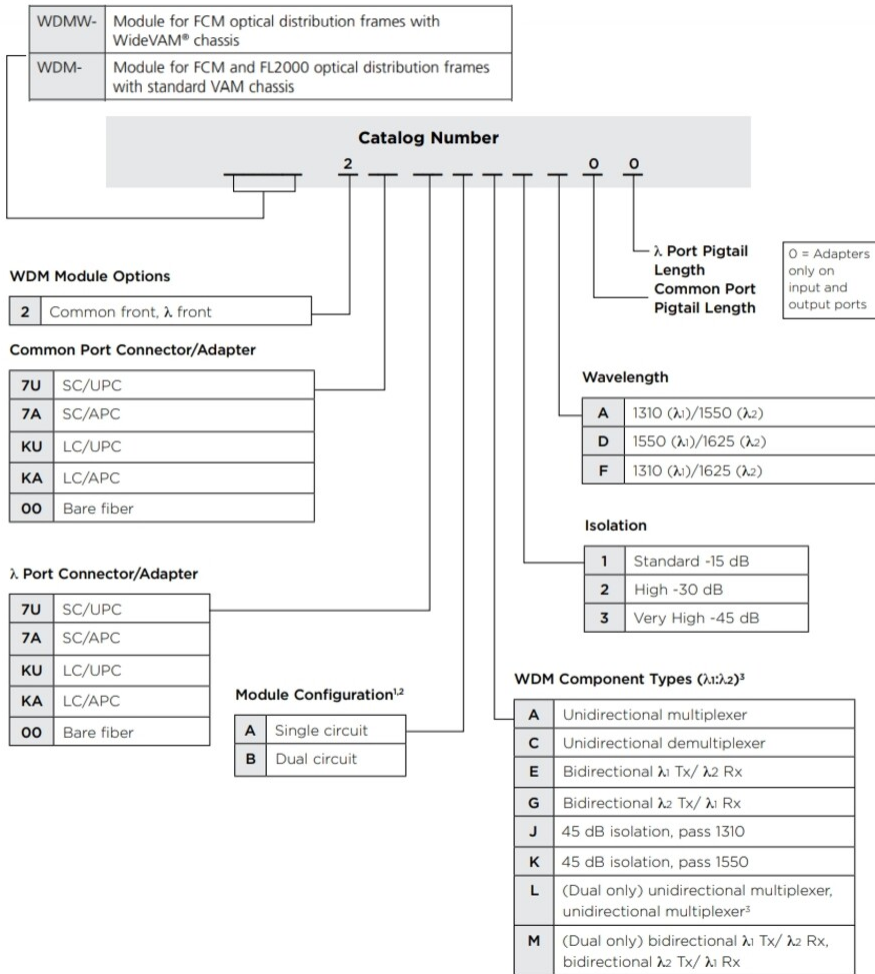
# FDF-FL2-WDM-MODULES

## Port Configuration

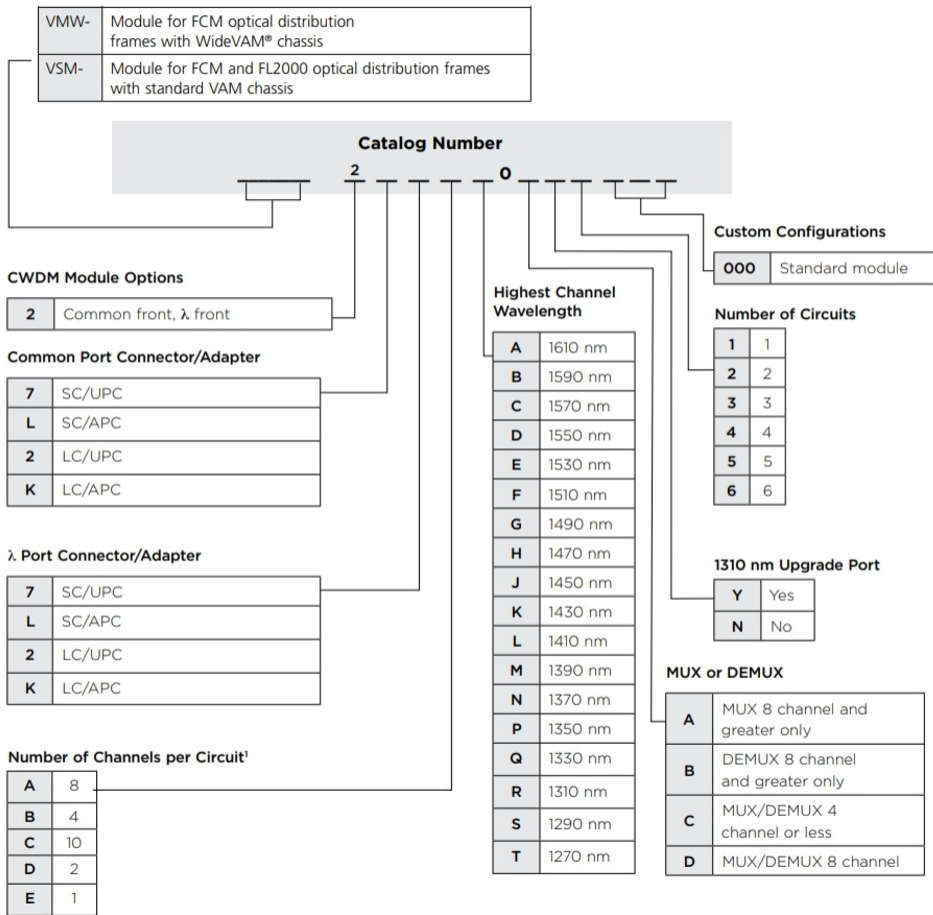


## Ordering Tree

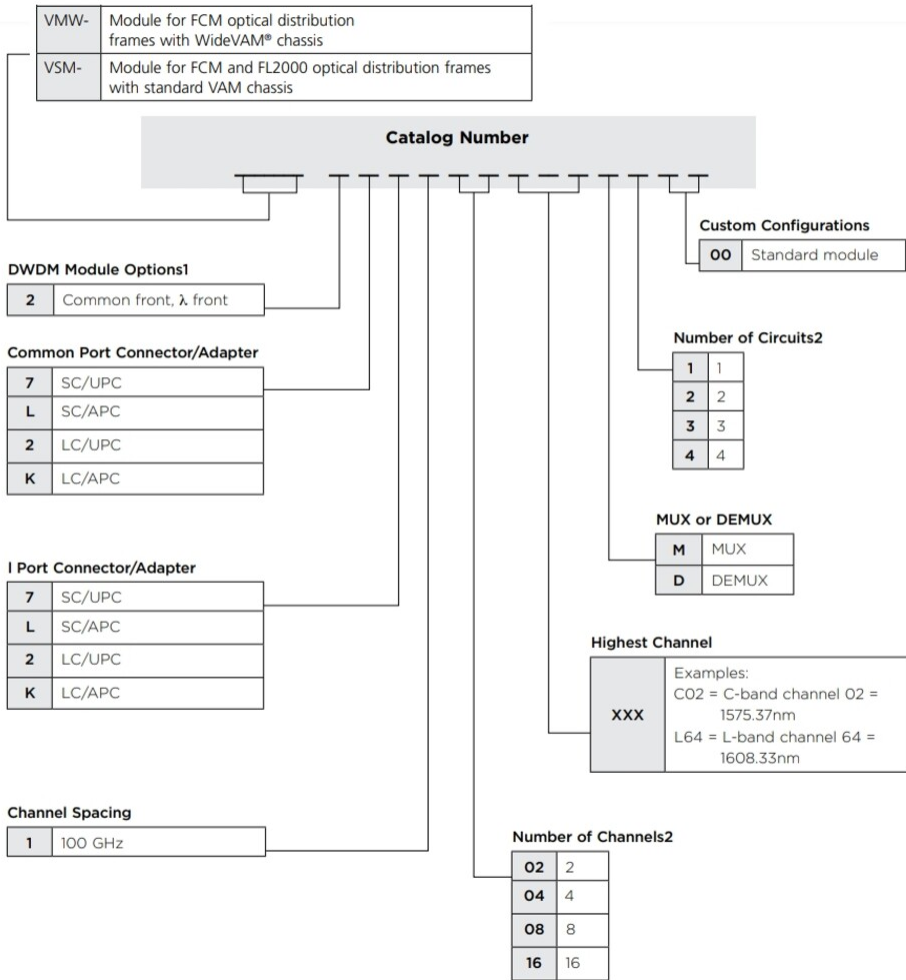
# FDF-FL2-WDM-MODULES



# FDF-FL2-WDM-MODULES



# FDF-FL2-WDM-MODULES



## Environmental Specifications

**Environmental Space** Indoor

## Packaging and Weights

**Packaging quantity** 1